

KNS130



USER MANUAL	2
HANDLEIDING	33
MODE D'EMPLOI	64
MANUAL DEL USUARIO	96
BEDIENUNGSANLEITUNG	127
INSTRUKCJA OBSŁUGI	159
MANUAL DO UTILIZADOR	190
MANUALE D'USO	221



USER MANUAL

1. Introduction



To all residents of the European Union

Important environmental information about this product

This symbol on the device or the package indicates that disposal of the device after its lifecycle could harm the environment. Do not dispose of the unit (or batteries) as unsorted municipal waste; it should be taken to a specialized company for recycling. This device should be returned to your distributor or to a local recycling service. Respect the local environmental rules.

If in doubt, contact your local waste disposal authorities.

Thank you for choosing Velleman! Please read the manual thoroughly before bringing this device into service. If the device was damaged in transit, do not install or use it and contact your dealer.

2. Safety Instructions



Read and understand this manual and all safety signs before using this appliance.



Choking hazard due to small parts. Not for children under 3 years.

8+

Recommended age: +.

- This product is intended for use for educational purposes in schools and other pedagogical contents under the surveillance of an adult instructor, such as science equipment.
- Protect from rain, moisture, splashing and dripping liquids, shocks and abuse, extreme heat and dust.

3. Warning

Adult supervision and assistance is required.

This unit is only for use by children aged 8 years and older.

Not suitable for children under age 3 years old due to small part(s) and component(s) – CHOKING HAZARD FROM INGESTION.

Read and follow all instructions in the manual before use.

This toy contains small parts and functional sharp points on components. Keep away from children under age 3 years.

2 x AA size batteries are required (not included).

Please retain the information and this manual for future reference.

Instructions for parents are included and have to be observed.

Do not use close to the ear! Misuse may cause damage to hearing.

4. Caution

Before setting up any experiment, please double check and make sure all wiring connections you have made are correct before inserting the batteries and switching on the unit, as failure may result in damage to components or circuit board unit.

When experiment is finished, make sure the batteries are disconnected and switch off the unit before you clear away the wires.

Do not apply any components or parts to the experiment other than those provided with this kit.

The toy is not to be connected to more than recommended number of power supplies.

Hair entanglement may result if the child's head is too close to the motorized unit of this toy. This toy contains functional sharp points on component leads and wires, requiring care when handling.

5. General Guidelines

- Refer to the Velleman® Service and Quality Warranty on the last pages of this manual.
- All modifications of the device are forbidden for safety reasons. Damage caused by user modifications to the device is not covered by the warranty.
- Only use the device for its intended purpose. Using the device in an unauthorised way will void the warranty.
- Damage caused by disregard of certain guidelines in this manual is not covered by the warranty and the dealer will not accept responsibility for any ensuing defects or problems.
- Nor Velleman group nv nor its dealers can be held responsible for any damage (extraordinary, incidental or indirect) – of any nature (financial, physical...) arising from the possession, use or failure of this product.
- Keep this manual for future reference.

6. Product description

We take pleasure to welcome you to try out this ready-to-use electronic circuit kit suitable for children of 8 years old and up. "You'll be amazed" to find what you can learn as the experiment is a realistic concept of electronics and electricity. It will definitely enable you to learn about the necessary electronic components, circuits, and theories as well as the basic electronics principles – electricity, voltage, current, resistance, magnetism, other electrical circuit and theory.

It is alright if you have no knowledge about electronics and do not fully understand how all the experiments work. Once you get started you will be able to build your understanding through experimenting and maybe trying out some interesting experiments on your own.

This electronic circuit kit contains more than 50 experiments, and it is smartly designed that the main circuit board unit has all the relevant electronic components included. All you have to do is simply connect the wires according to the wiring sequence of each experiment and follow the steps one by one. Once connected the circuit will activate and function.

Remember this is not a one-time experiment. The more you spend on building the experiments the better knowledge you will gain. You will never get bored but totally engaged as you will discover more new exciting experiments for a few years to come.

EXPERIMENTS

1. Simple LED circuit
2. Spinning LED light
3. Function of the reed-switch
4. Demonstration of resistance and current
5. Resistors in series connection
6. Resistors in parallel connection
7. Function of the touch plate
8. A simple demonstration of a function of the PNP transistor
9. A simple demonstration of a function of the NPN transistor
10. Two LEDs in parallel connection
11. Three LEDs in parallel connection
12. LED and spinning LED with a single switch
13. LED and spinning LED with separate switches
14. Basic circuit operation of LED
15. Spinning LED light in advance circuit operation of LEDs
16. LEDs combination
17. Function of a diode
18. A simple demonstration of the light sensor
19. A practical example: Light triggered LED

20. A practical example: Darkness triggered LED
21. Demonstration of a simple function of SCR
22. A practical example of SCR
23. Digital segment LED displaying "1" -
24. Digital segment LED displaying "2" -
25. Digital segment LED displaying "8" -
26. Digital segment LED displaying "F."
27. Digital segment LED switching between "1" and "8"
28. Digital segment LED switching between "I", "L", "F" and "E" -
29. Light control seven-segment LED display - C (Dark Type)
30. Light control seven-segment LED display - E (Light Type)
31. Flashing LEDs
32. Dog barking sound with flashing LED
33. Dog barking sound and flashing digit "1"
34. Rooster crowing sound and flashing digit "2" -
35. Cat meowing sound and flashing digit "3"
36. Horse neighing sound and flashing digit "4"
37. Bird chirping sound and flashing digit "5"
38. Duck quacking sound and flashing digit "6"
39. Sheep baaing sound and flashing digit "7"
40. Cuckoo calling sound and flashing digit "8"
41. Frog croaking sound and flashing digit "9"
42. Manual control horse neighing sound with push switch control flashing digit "0"
43. Magnet control sheep baaing sound with flashing LED
44. Touch control rooster crowing sound with flashing LED
45. Light control cat meowing sound with flashing LED
46. Darkness activated dog barking sound
47. Security alarm based on wiring disconnection
48. Water level LED alarm
49. Light intensity indicator
50. Darkness activated spinning LED light
51. Light control spinning LED light

7. Glossary

Amplifier - An electronic circuit that amplifies the signal that is sent to it. The amplifying component can be a transistor, vacuum tube or appropriate magnetic device.

Battery - A source of energy. It contains chemicals which will undergo chemical reaction to produce electricity when a circuit is connected.

Capacitance - A measurement of the capacity of a capacitor for storing electric charge.

Capacitor - A device consists of two conductors that are separated by an insulator. It is designed for storing electrical charge or as a filter in a circuit.

IC (Integrated Circuit) - A small electronic device made of semiconductor material and is used for a variety of devices, including microprocessors, electronic equipment and automobiles.

Light Sensor - There are different types of light sensor. The one used here is a phototransistor. When light falls on it, it is like a switch connected and so current is allowed to pass through it.

Diode - A device used in electric circuitry to allow an electric current to flow in single direction and block it in the reverse direction.

Microphone - A device converts sound into an electrical signal.

Motor - A device converts electrical energy to mechanical motion.

LED (Light Emitting Diode) - A diode emits light when current is passing through it.

Resistance - A measurement of the degree to which an object opposes an electric current through it.

Resistor - A device designed for possessing resistance.

Speaker - A device that changes electrical signals into sound.

Switch - A device for opening and closing power source to a circuit.

Transistor - A semi-conductor device that amplifies a signal and opens or closes a circuit.

Truth Table – It is a mathematical table used to logically compute the values of logical explication and as a decision procedure.

Variable Resistor – A kind of resistor and a device of adjustable resistance in the electronic / electrical circuit.

Wire - A conductor that conducts electricity. Connecting a wire is like providing a path that allows electricity to flow through.

Reed-switch: This is a magnetic switch which contains metal reeds inside. When a magnet is close to it, the attractive force will cause the reeds to come together. Thus they will be in contact and the path is connected

Touch plate: It is a plate with two parts of conducting surfaces. The two surfaces are not connected but with a little gap between them. Electricity cannot flow through because of the little gap. When touched by a finger, or dripped with a water droplet, then the little gap is filled and electricity can flow through it (though the resistance is quite large because the resistance of water is quite large)

Buzzer: A device that can produce simple sound

SCR: A silicon-controlled rectifier, or SCR, is like a traffic cop for electricity in electronic devices. It allows the flow of electricity in one direction, acting like a gate that opens and closes. It's a special kind of switch that helps control the power and make sure everything runs smoothly.

8. Battery Information

Use 2 x 1.5V AA size batteries (not included).

For best performance, always use fresh batteries and remove batteries when not in use.

Batteries must be inserted with the correct polarity.

Non-rechargeable batteries are not to be recharged.

Re-chargeable batteries are only to be charged under adult supervision.

Re-chargeable batteries are to be removed from the toy before being charged.

Different types of batteries or new and used batteries are not to be mixed.

Exhausted batteries are to be removed from the toy.

The supply terminals are not to be short-circuited.

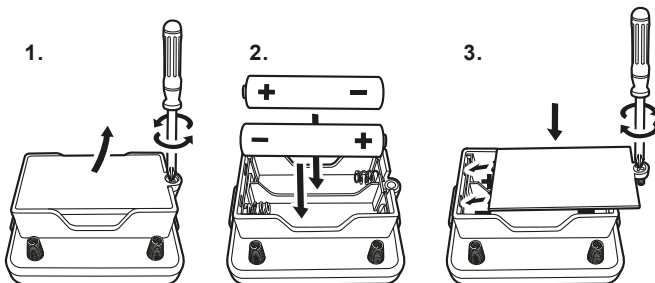
Only batteries of the same or equivalent types are to be used.

Do not dispose of the batteries in fire.

Do not mix old and new batteries.

Do not mix alkaline, carbon zinc and re-chargeable batteries.

To insert batteries please unscrew battery cover with a screw driver. Insert the required batteries in accordance with battery polarity with + and – ends in the right position and then fix screw on the battery cover to close the battery compartment case.



9. Wiring sequence and connection

Ensure all wires are correctly connected to the numbered spring terminals of the main circuit board unit as stated wiring sequence of each experiment. Bend the spring terminal over and insert the exposed shiny conductor part of wire into spring terminal. Make sure the wire is securely connected to spring terminal.

For example if the wiring sequence is 4-33, 1-10-32-35, 2-12, then connect a wire between spring terminal 4 and 33; and then connect a wire between spring terminal 1 and 10, and a wire between spring terminal 10 and 32, and a wire between spring terminal 32 and 35; and finally connect a wire between

spring terminal 2 and 12. This is an example for reference only, not an exact circuit connection in the experiment.

If the circuit does not work, you can check the wire and spring terminal connection whether it is not well connected or insulated plastic part of a wire is inserted to spring terminal.

10. Component characteristic

In this experiment kit, you will learn basic circuit theory, characteristic of capacitor, IC (Integrated Circuit), LED (Light Emitting Diode), light sensor, resistor and transistor. You can learn that when transistor and capacitor work together, various light and sound effects can be made in different circuit connections.

Capacitor is a device consists of two conductors that are separated by an insulator. It is designed for storing electrical charge or as a filter in a circuit. It is a commonly used component in electronic and electrical circuits as an energy storage device or as a filter device to filter out electronic noisy or useless frequency signals. There are various types of capacitor which are designed for different electronic / electrical circuit applications.



Electrolytic Capacitor



Circuit symbol

IC (Integrated Circuit) is a small electronic device made of semiconductors and is used for a variety of devices, including microprocessors, electronic equipment and automobiles. IC is made by a large number of transistors into a "chip" (silicon). It is now a critical and commonly used component in a wide variety of applications from toys, household products to state-of-the-art equipment.



Integrated Circuit

LED (Light Emitting Diode) is a diode which emits light when electric current passes through it. LED has various light colors which depend on what kind of semi-conducting materials are used. It is a commonly used device in household and vehicle lighting appliance.



LED (Light Emitting Diode)



Circuit symbol

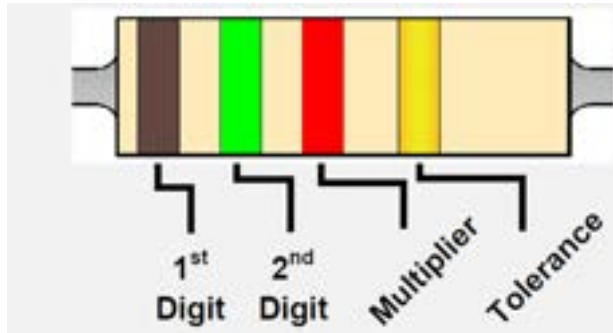
Light Sensor is a device that reacts to light. There are different types of light sensor. The one used here is a phototransistor. When there is no light, electric current cannot pass through it. And therefore it is like a switch that is switched off. When there is light falling on it, electric current can pass through it. It is then like a switch that is switched on. This way a light control circuit can be made.



Circuit symbol

Resistor uses different color rings to represent the value (resistance). The 1st and 2nd rings represent the digit. The 3rd ring represents the multiplier as table shown. The 4th ring represents tolerance that means the precision of the resistance. Example: The color rings are Brown, Red, Brown and Gold which represents resistance is 120 ohm, tolerance 5% (Ω).

Color Identification Code



Color	1st	2nd	3 rd - multiplier	Tolerance
Black	0	0	x 1	
Brown	1	1	x 10	
Red	2	2	x 100	
Orange	3	3	x 1000	
Yellow	4	4	x 10000	
Green	5	5	x 100000	
Blue	6	6	x 1000000	
Purple	7	7		
Grey	8	8		
White	9	9		
Brown				+/- 1%
Red				+/- 2%
Gold			x 0.1	+/- 5%
Silver			x 0.01	+/- 10%

Transistor is a semi-conductor device that is used to amplify a signal and to open or close it in a circuit. There are two types of transistors, namely **NPN** and **PNP**, with similar circuit symbol. The transistor is a fundamental device commonly used in the modern electronic equipment. It has the fastest response and accurate action as amplifier and switching device, and can act as an individual device / component or as a part of IC (Integrated Circuit). IC is built of over a thousand to million transistors.



Transistor



NPN

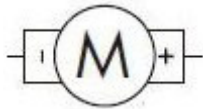


PNP

Circuit symbol

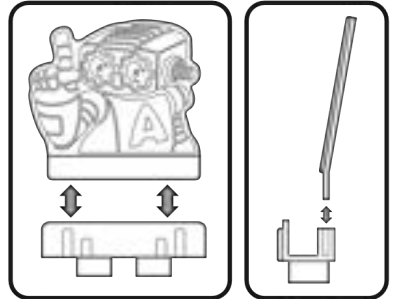
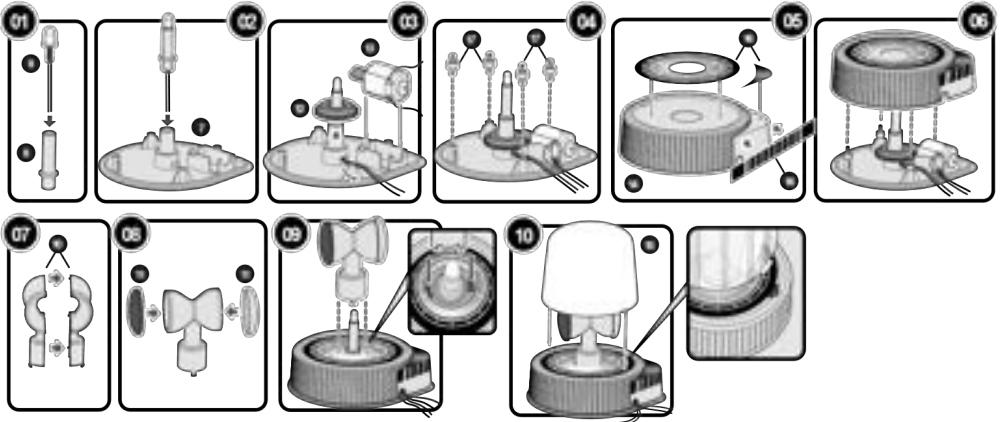
If you have already read the above information and would like to understand more about electric circuit knowledge as well as how useful the components can be, then let's carry out the following experiments.

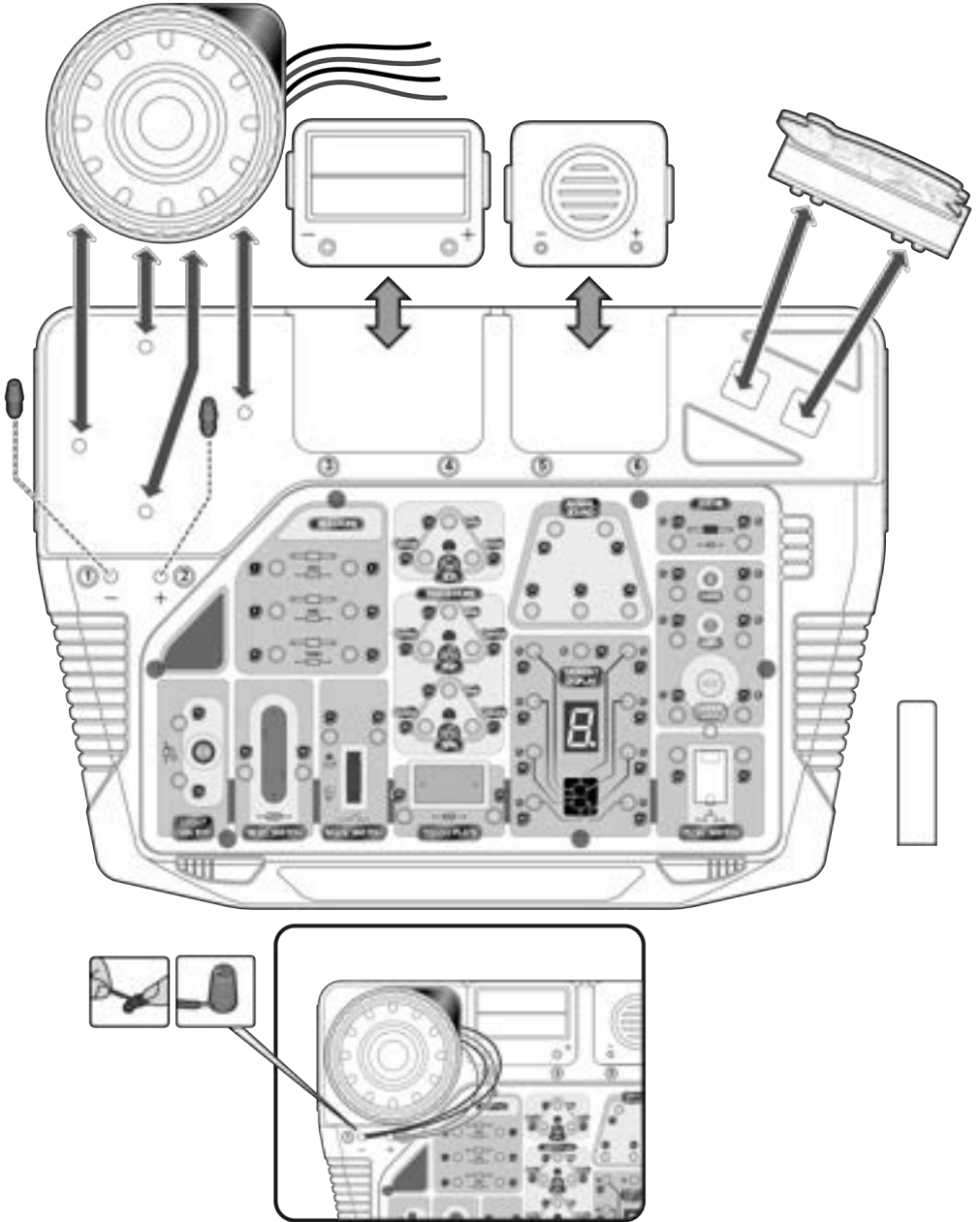
The motor is a device that produces rotary motion when electricity is provided. As an analogy, the battery is like a pump that pumps water through the pipes (wires). When a circuit is connected, electricity can flow through it. The electricity flowing is called a current. A current is the flow of electric charges. The amount of a current is the amount of electric charge flowing in the wire in a second. Another common term we often heard about electricity is the voltage. Voltage is referring to the electric energy per unit charge. It is the electric energy of each unit amount of electric charge carries.



11. Assembling

Spinning LED light:

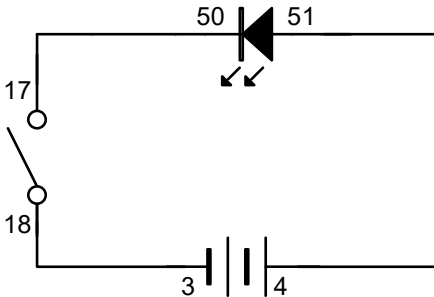




12. Experiments

12.1 Simple LED circuit

Wiring Sequence
4-51, 50-17, 18-3

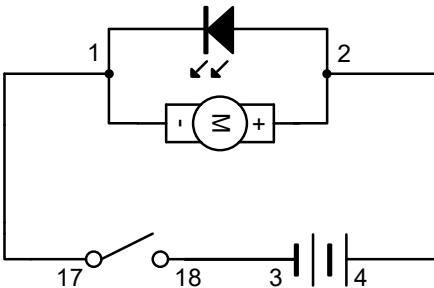


Complete all wiring connections as indicated in the sequence. By switching ON, the LED will light up. By switching OFF, the LED will extinguish.

You can change to use another LED yourself. Simply look at the circuit diagram, and connect to another LED in the same way. Just don't mix up the positive (+) and negative (-) pole. Otherwise the LED will not light up.

12.2 Spinning LED light

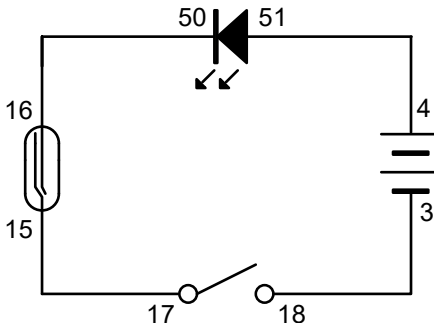
Wiring Sequence
4-2, 1-17, 18-3



Complete all wiring connections as indicated in the sequence. Switch on the main switch. The spinning LED will light up and spin!

12.3 Function of the reed switch

Wiring Sequence
4-51, 50-16, 15-17, 18-3

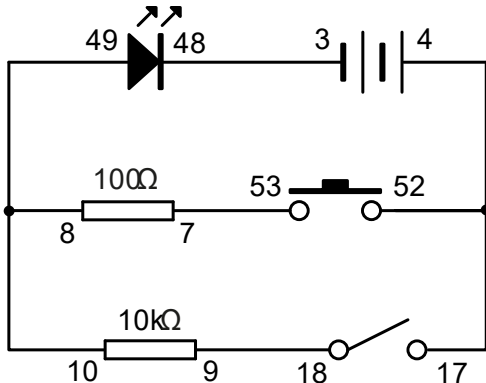


Complete all wiring connections as indicated in the sequence. Switch on the main switch. Access the reed switch with the magnetic pole. The LED will light up as the circuit is connected. Move away the magnetic pole, and the circuit will be disconnected, and the LED will be off.

12.4 Demonstration of resistance and current

Wiring Sequence

48-3, 4-52-17, 18-9, 10-49-8, 7-53

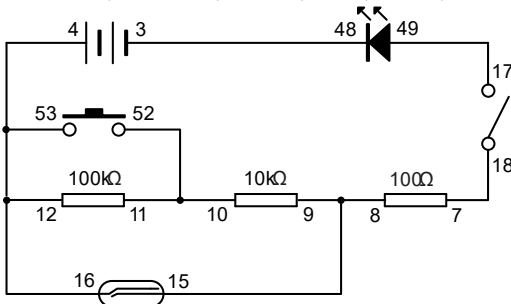


Complete all wiring connections as indicated in the sequence. Switch on the main switch. The LED will light up dimly. Switch off the main switch to turn it off. Now press the push switch. The LED will light up more brightly. This is because the path of the main switch has a resistor of larger resistance. So the current through this path will be less, and as a result the LED will be less bright. On the other hand, the path of the push switch has a resistor of smaller resistance. So the current through this path will be more, and the LED will be brighter.

12.5 Resistors in series connection

Wiring Sequence

4-12-16-53, 52-11-10, 9-15-8, 7-18, 17-49, 48-3

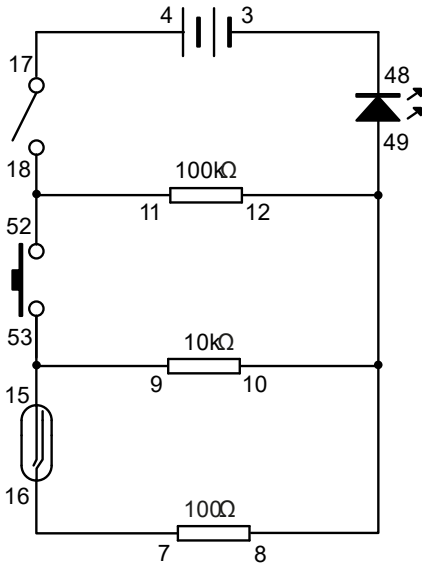


Complete all wiring connections as indicated in the sequence. Switch on the main switch. The electric current from the batteries will have to pass through 3 resistors, and therefore the LED will light up very dimly, or apparently not light up at all. Press the push switch. This time, the current will have to pass through 2 resistors only, so the LED will light up brighter than before. Access the reed switch with the magnetic pole. This time, the current will have to pass through 1 resistor only, so the LED will light up even more brightly. As an analogy, a resistor is like an obstacle. The fewer obstacles are there in the circuit, the more current can flow through.

12.6 Resistors in parallel connection

Wiring Sequence

4-17, 18-11-52, 53-9-15, 16-7, 8-10-12-49, 48-3

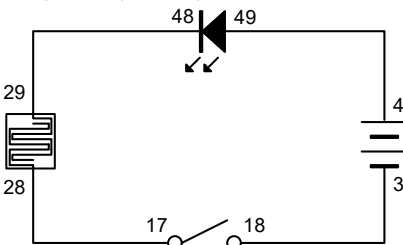


Complete all wiring connections as indicated in the sequence. Switch on the main switch. The electric current from the batteries will pass through the $100\text{k}\Omega$ resistor to light up the LED. The LED will light up very dimly, or apparently not light up at all. Press the push switch. Now one more path is available. Though there is a $10\text{k}\Omega$ resistor in this path, this is still an extra path for the current to flow through. Therefore more current will flow through the LED and make it light up more brightly! Do not release the push switch. Access the reed switch with the magnetic pole. Now one more extra path is also available! There are total 3 paths for the current to flow through now and so the LED will light up brightly! Though this time there are also 3 resistors in the circuit, the LED lights up brightly. The resistors are in parallel connection so this causes a different result.

12.7 Function of the touch plate

Wiring Sequence

4-49, 48-29, 28-17, 18-3

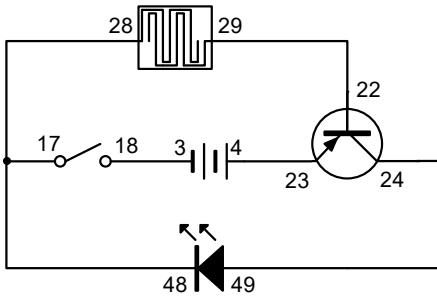


Complete all wiring connections as indicated in the sequence. Switch on the main switch. Dampen your finger with water and touch the touch plate. The LED will light up very dimly. This indicates water has a large resistance and so only a small amount of electric current is able to pass through. If you put a drop of salt water onto the touch plate, the LED will light up more brightly! This is because salt water is a better conductor than plain water, and thus more current can pass through.

12.8 A simple demonstration of a function of the PNP transistor

Wiring Sequence

4-23, 24-49, 22-29, 28-48-17, 18-3

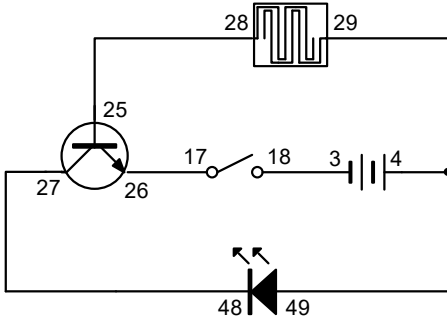


Complete all wiring connections as indicated in the sequence. Switch on the main switch. Dampen your finger with water and touch the touch plate. Through only a very little amount of electric current flows through the touch plate (as shown in the last experiment), the LED is switched on brightly! It is because in this circuit, the PNP transistor is the real gateway to the LED, and the touch plate is only acting as a switch for opening the gateway! When the upper part of the circuit is not connected, no current is flowing through the "Emitter" to the "Base" of the transistor. So the gateway of the "Emitter" to the "Collector" is shut. When you touch the touch plate, the upper circuit is connected; a very small amount of current passes through the "Emitter" to the "Base", and then the gateway of the "Emitter" to the "Collector" is opened! Electric current from the battery can then flow through the transistor to the LED, and therefore the LED will light up brightly!

12.9 A simple demonstration of the function of the NPN transistor

Wiring Sequence

28-25, 26-17, 18-3, 4-29-49, 48-27

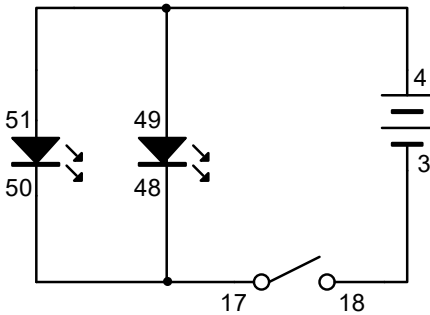


Complete all wiring connections as indicated in the sequence. Switch on the main switch. Touch the touch plate. Through only a very little amount of electric current flows through the touch plate (as shown in the last experiment), the LED is switched on brightly! This is pretty much the same as the case of the PNP transistor. It is just the polarities of the transistor that are reversed.

12.10 Two LEDs in parallel connection

Wiring Sequence

4-49-51, 50-48-17, 18-3

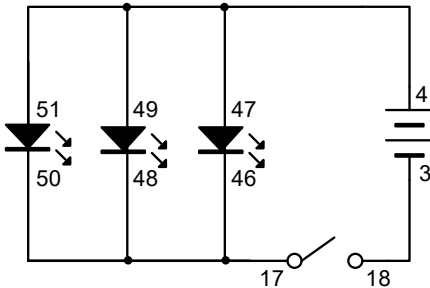


Complete all wiring connections as indicated in the sequence. By switching ON, both LEDs will light up. By switching OFF, both LEDs will extinguish.

12.11 Three LEDs in parallel connection

Wiring Sequence

4-47-49-51, 50-48-46-17, 18-3

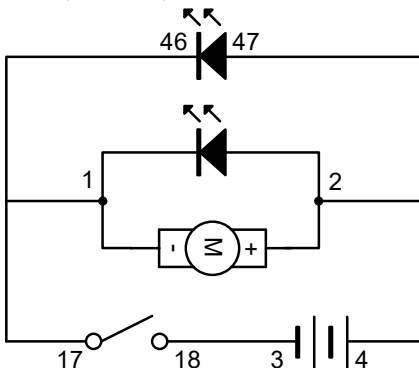


Complete all wiring connections as indicated in the sequence. By switching ON, three LEDs will light up. By switching OFF, All three LEDs will extinguish.

12.12 LED and spinning LED with a single switch

Wiring Sequence

4-2-47, 46-1-17, 18-3

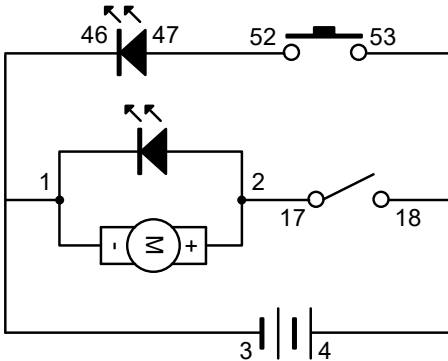


Complete all wiring connections as indicated in the sequence. Switch on the main switch. The LED will light up and the spinning LED light will be on. When you switch off the main switch, both devices will be off at the same time.

12.13 LED and spinning LED with separate switches

Wiring Sequence

4-18-53, 17-2, 52-47, 46-1-3

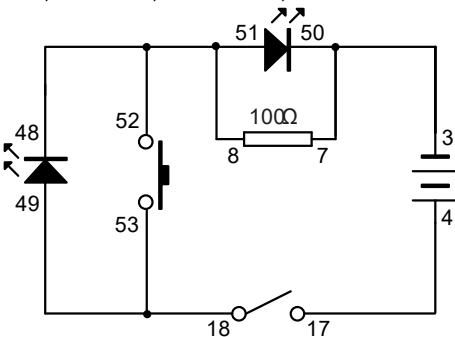


Complete all wiring connections as indicated in the sequence. If you switch on the main switch, the spinning LED will be on. If you press the push switch, the LED will light up. They are controlled by separate switches so you can turn them on and off individually.

12.14 Basic circuit operation of LED

Wiring Sequence

4-17, 18-49-53, 52-48-51-8, 7-50-3

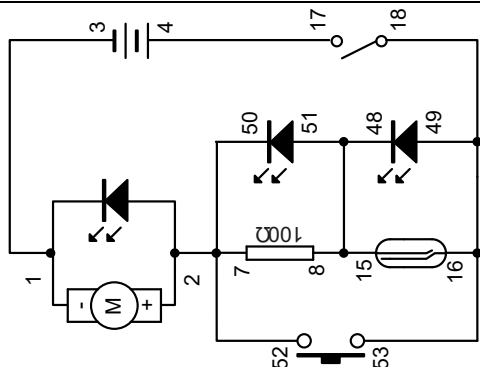


Complete all wiring connections as indicated in the sequence. Switch on the main switch. You will see that the small LED will light up but the large LED will not. When you press the push switch, you will see the large LED will light up but the small LED will be turned off.

12.15 Spinning LED light in advance circuit operation of LEDs

Wiring Sequence

4-17, 18-49-53-16, 15-48-51-8, 7-50-52-2, 1-3

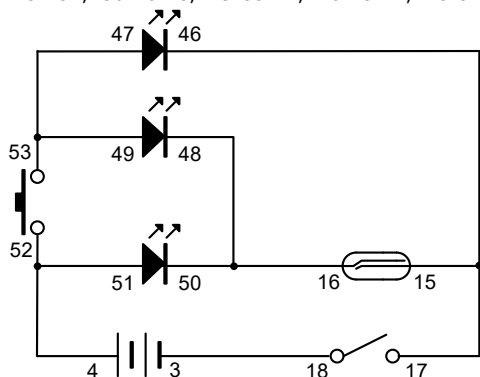


Complete all wiring connections as indicated in the sequence. Switch on the main switch. You will see that the blue LED will light up but the other LEDs will not light up. When you access the reed switch with the magnetic pole, the blue LED will be off and now only the yellow LED will light up. Press the push switch. This time only the spinning LED will be on!

12.16 LEDs Combination

Wiring Sequence

4-52-51, 50-16-48, 49-53-47, 46-15-17, 18-3

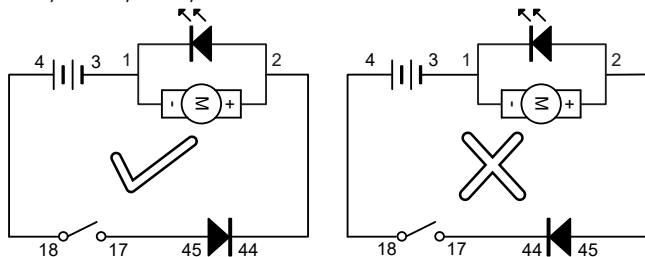


Complete all wiring connections as indicated in the sequence. Switch on the main switch. Pressing the push switch, or accessing the reed switch with the magnetic pole, or doing both at the same time will lead to different LED performances!

12.17 Function of a diode

Wiring Sequence

4-18, 17-45, 44-2, 1-3

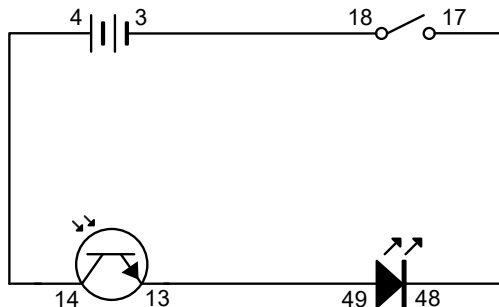


Complete all wiring connections as indicated in the sequence. Switch on the main switch. The motor will spin. If you reverse the connection polarity of the diode by changing the wiring connection a bit, 17 connect to 44 and 2 connect to 45, then this time you will find that the circuit does not work. This is because the diode does not allow current to follow through it in a reverse direction. Therefore the circuit does not work this time.

12.18 A simple demonstration of the light sensor

Wiring Sequence

4-14, 13-49, 48-17, 18-3

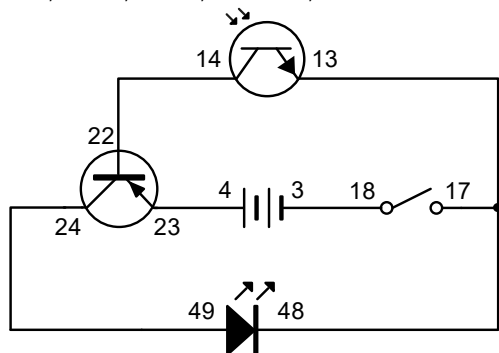


Complete all wiring connections as indicated in the sequence. Switch on the main switch. You may notice that the LED lights up very dimly. This indicates only a very small amount of current is flowing through it. It depends on the intensity of light falling onto the light sensor. If you perform this experiment in a darker place, the LED may not light up at all. If you use a torch to shine on the light sensor, you can see that the LED light up brightly. This is because when there is more light, more current will be able to pass through the light sensor and light up the LED.

12.19 A practical example: Light triggered LED

Wiring Sequence

4-23, 22-14, 24-49, 48-13-17, 18-3

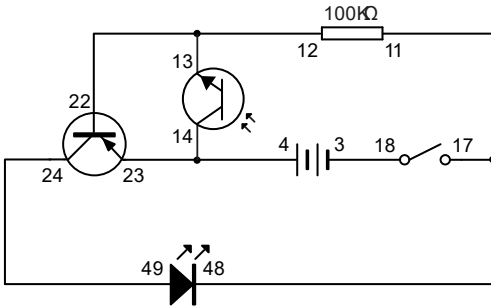


Complete all wiring connections as indicated in the sequence. Switch on the main switch. This time, even with a small amount of light, the LED will light up brightly! It is because in this circuit, the PNP transistor is the real gateway to the LED, and the light sensor is only acting as a switch for opening the gateway! When the upper part of the circuit is not connected, no current is flowing through the "Emitter" to the "Base" of the transistor. So the gateway of the "Emitter" to the "Collector" is shut. When light falls on the light sensor, the upper circuit is connected; a very small amount of current passes through the "Emitter" to the "Base", and then the gateway of the "Emitter" to the "Collector" is opened! Electric current from the battery can then flow through the transistor to the LED, and therefore the LED will light up brightly! This circuit makes the light sensor to become a sensitive switch to detect light.

12.20 A practical example: Darkness triggered LED

Wiring Sequence

4-14-23, 22-13-12, 24-49, 48-11-17, 18-3

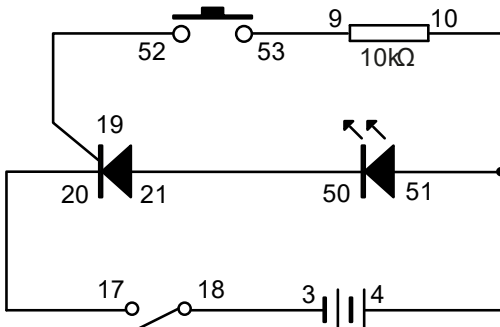


Complete all wiring connections as indicated in the sequence. Switch on the main switch. If you are in a room with bright light, then the LED will not be on. When you cover the light sensor, the LED will light up. This means the LED is switch on by darkness instead of light!

12.21 Demonstration of a simple function of SCR

Wiring Sequence

21-50, 51-4-10, 9-53, 52-19, 20-17, 18-3

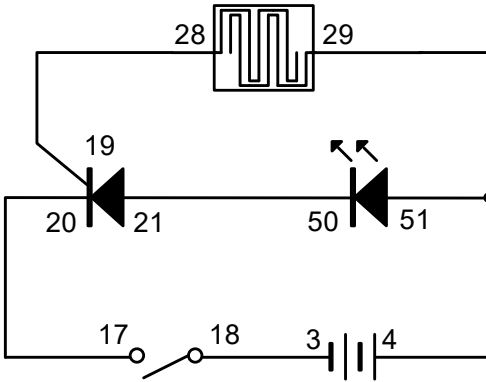


Complete all wiring connections as indicated in the sequence. Switch on the main switch. Nothing happens. And then press the push switch without releasing it. The upper part of the circuit is connected and thus current can flow through the gate (G) and cathode (K) of the SCR as it is a complete circuit. This is like opening the gate of the SCR. And the main current can flow through the anode (A) and the cathode (K), which lights up the LED. Release the push switch. The LED will still continue to glow! This is because the "gate" is already opened by the initial current from the upper circuit and therefore the main current will continue to flow through the SCR. Therefore if you want to switch off the LED, you will have to switch off the main switch.

12.22 A practical example of SCR

Wiring Sequence

21-50, 51-4-29, 28-19, 20-17, 18-3

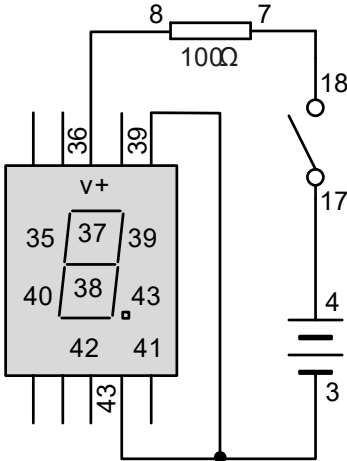


Complete all wiring connections as indicated in the sequence. Switch on the main switch. Nothing happens. When there is a drop of water on the touch plate, the LED will light up. Even the touch plate is dried after that, the LED will still continue to glow, as the gate of the SCR has been opened. Base on this principle, you can set up a monitor to indicate that if the tide has ever reached a certain height, or if there is any rain during the period that you are out of home for a trip, or if something has ever got wet..... etc.

12.23 Digital segment LED displaying "1"

Wiring Sequence

4-17, 18-7, 8-36, 3-39-43

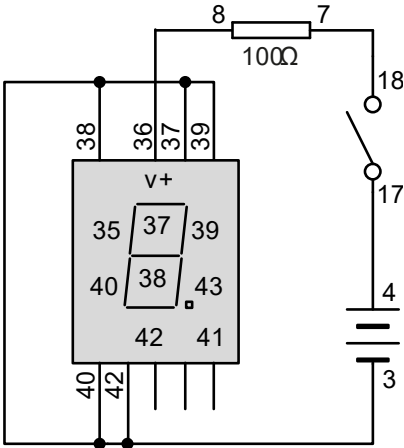


Complete all wiring connections as indicated in the sequence. By switching ON, the digital segment LED will display "1".

12.24 Digital segment LED displaying "2"

Wiring Sequence

4-17, 18-7, 8-36, 3-37-38-39-40-42

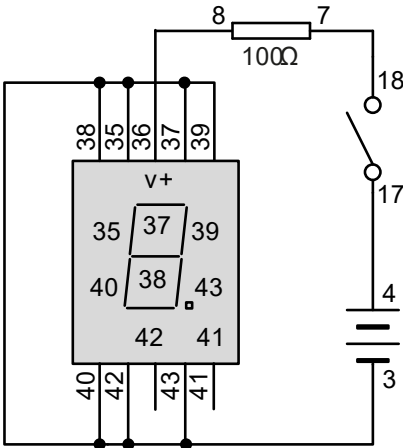


Complete all wiring connections as indicated in the sequence. By switching ON, the digital segment LED will display "2".

12.25 Digital segment LED displaying "8"

Wiring Sequence

4-17, 18-7, 8-36, 3-35-37-38-39-40-42-43

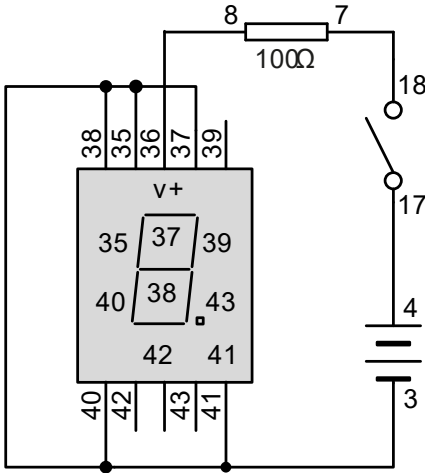


Complete all wiring connections as indicated in the sequence. By switching ON, the digital segment LED will display "8".

12.26 Digital segment LED displaying "F."

Wiring Sequence

4-17, 18-7, 8-36, 3-35-37-38-40-41

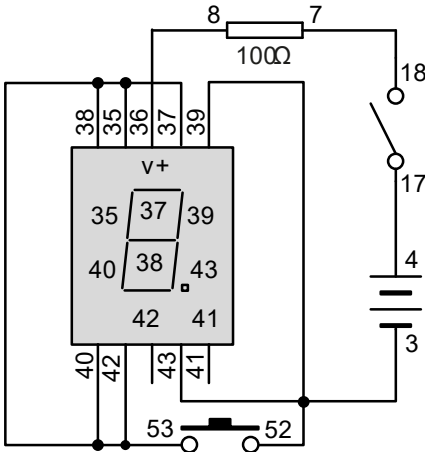


Complete all wiring connections as indicated in the sequence. By switching ON, the digital segment LED will display "F".

12.27 Digital segment LED switching between "1" and "8"

Wiring Sequence

4-17, 18-7, 8-36, 3-39-43-52, 53-35-37-38-40-42

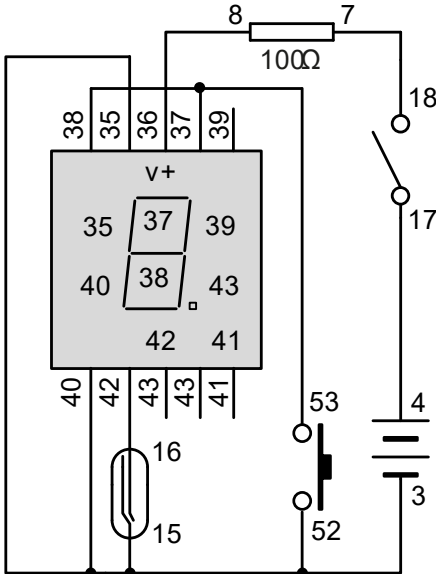


Complete all wiring connections as indicated in the sequence. Switch on the main switch. The digital segment LED will display "1". By pressing the push switch, the digital segment LED will display "8".

12.28 Digital segment LED switching among "I", "L", "F" and "E"

Wiring Sequence

4-17, 18-7, 8-36, 35-40-15-3-52, 53-37-38, 42-16

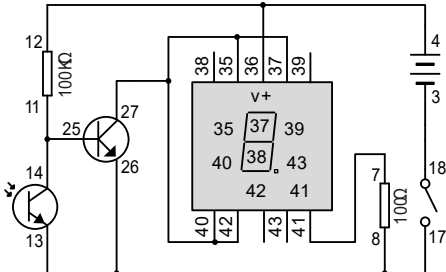


Complete all wiring connections as indicated in the sequence. Switch on the main switch. The digital segment LED will display "I". If you access the reed switch with the magnetic pole, the digital segment LED will display "L"; or if you press the push switch, the digital segment LED will display "F". And if you activate both switches at the same time, it will display "E".

12.29 Light control seven-segment LED display – C (Dark Type)

Wiring Sequence

3-18, 11-25-14, 4-36-12, 13-17-26-8, 7-41, 27-35-37-40-42

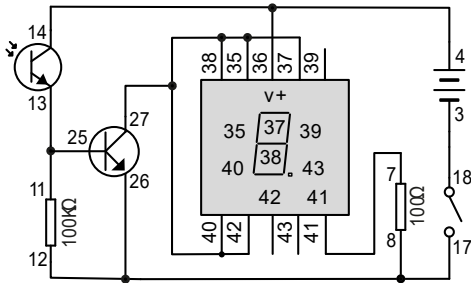


Complete all wiring connections as indicated in the sequence. Switch on the main switch. If there is enough light in the room, then only the power indicator on display lights up. Cover the light sensor and the display will show letter C. If you uncover the light sensor, the letter C will disappear..

12.30 Light control seven-segment LED display – E (Light Type)

Wiring Sequence

3-18, 41-7, 17-26-12-8, 11-13-25, 4-36-14, 27-35-38-37-40-42

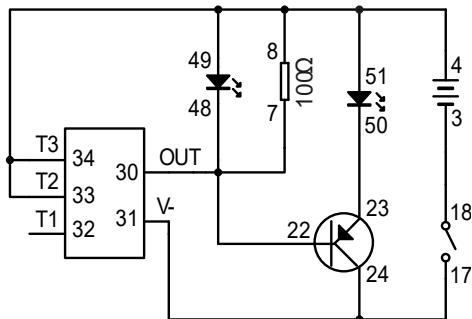


Complete all wiring connections as indicated in the sequence. Switch on the main switch. Then power indicator will light up and letter E will show on display. When you cover the light sensor, only the power indicator will light up on display. If you uncover the light sensor, then letter E will light up again.

12.31 Flashing LEDs

Wiring Sequence

3-18, 8-4-51-49-33-34, 50-23, 7-22-30-48, 17-24-31

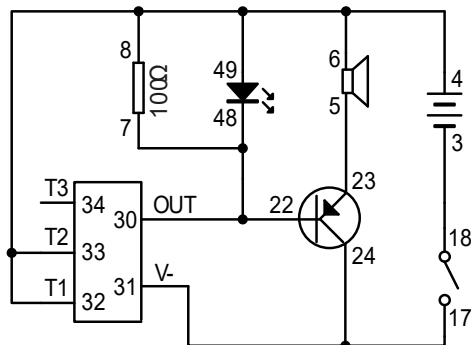


Complete all wiring connections as indicated in the sequence. Switch on the main switch. Then the LEDs will flash.

12.32 Dog barking sound with flashing LED

Wiring Sequence

3-18, 4-6-8-32-33-49, 5-23, 7-22-30-48, 17-24-31

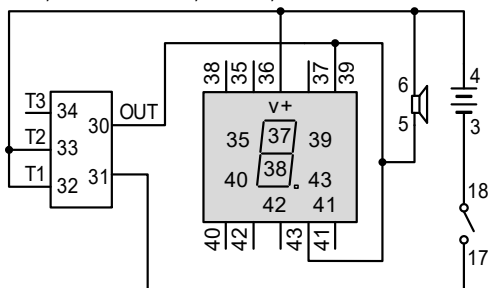


Complete all wiring connections as indicated in the sequence. Switch on the main switch. The speaker will produce dog barking sound and the LED will flash to the rhythm of it.

12.33 Dog barking sound and flashing digit "1"

Wiring Sequence

3-18, 4-6-36-32-33, 17-31, 30-39-43-5

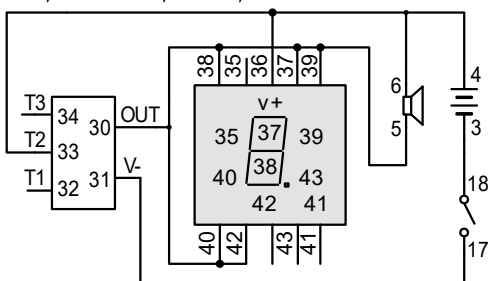


Complete all wiring connections as indicated in the sequence. By switching ON, the speaker will produce dog barking sound. The display screen will also display digit "1" and flash to the rhythm of it.

12.34 Rooster crowing sound and flashing digit "2"

Wiring Sequence

3-18, 4-6-36-33, 17-31, 5-30-37-38-39-40-42

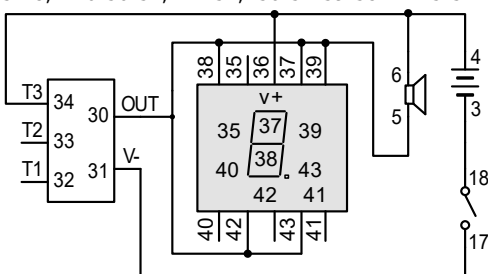


Complete all wiring connections as indicated in the sequence. By switching ON, the speaker will produce rooster crowing sound. The display screen will also display digit "2" and flash to the rhythm of it.

12.35 Cat meowing sound and flashing digit "3"

Wiring Sequence

3-18, 4-6-36-34, 17-31, 30-37-39-38-42-43-5

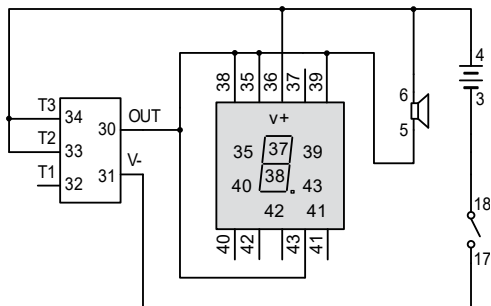


Complete all wiring connections as indicated in the sequence. By switching ON, the speaker will produce cat meowing sound. The display screen will also display digit "3" and flash to the rhythm of it.

12.36 Horse neighing sound and flashing digit "4"

Wiring Sequence

3-18, 4-36-33-34-6, 17-31, 30-35-38-39-43-5

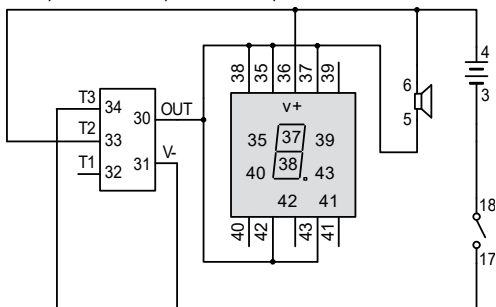


Complete all wiring connections as indicated in the sequence. By switching ON, the speaker will produce horse neighing sound. The display screen will also display digit "4" and flash to the rhythm of it.

12.37 Bird chirping sound and flashing digit "5"

Wiring Sequence

3-18, 4-6-36-33, 17-31-34, 5-30-35-37-38-42-43

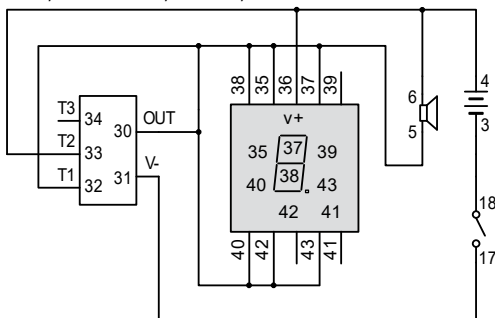


Complete all wiring connections as indicated in the sequence. By switching ON, the speaker will produce bird chirping sound. The display screen will also display digit "5" and flash to the rhythm of it.

12.38 Duck quacking sound and flashing digit "6"

Wiring Sequence

3-18, 4-6-36-33, 17-31, 5-30-32-35-37-38-40-42-43

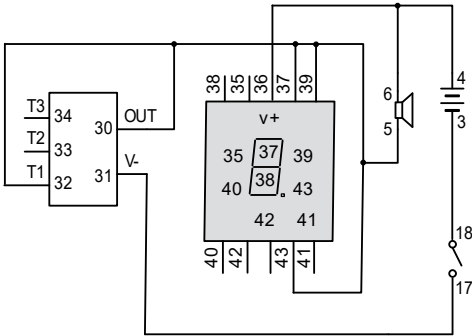


Complete all wiring connections as indicated in the sequence. By switching ON, the speaker will produce duck quacking sound. The display screen will also display digit "6" and flash to the rhythm of it.

12.39 Sheep baaing sound and flashing digit "7"

Wiring Sequence

3-18, 4-6-36, 17-31, 5-30-32-37-39-43

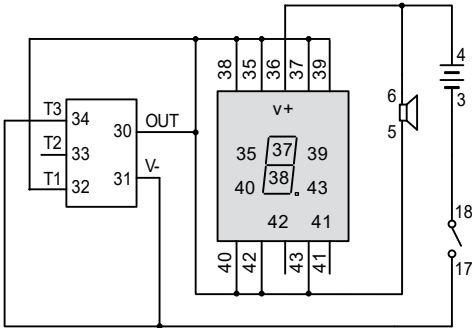


Complete all wiring connections as indicated in the sequence. By switching ON, the speaker will produce sheep baaing sound. The display screen will also display digit "7" and flash to the rhythm of it.

12.40 Cuckoo calling sound and flashing digit "8"

Wiring Sequence

3-18, 4-6-36, 17-31-34, 5-30-32-35-37-38-39-40-42-43

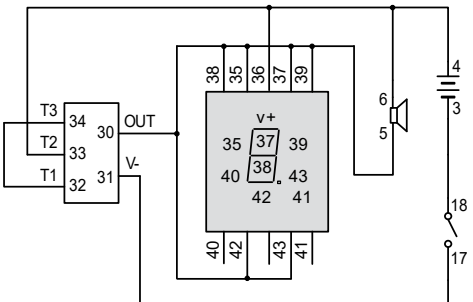


Complete all wiring connections as indicated in the sequence. By switching ON, the speaker will produce cuckoo calling sound. The display screen will also display digit "8" and flash to the rhythm of it.

12.41 Frog croaking sound and flashing digit "9"

Wiring Sequence

3-18, 4-6-36-33, 32-34, 5-30-35-37-38-39-42-43, 17-31

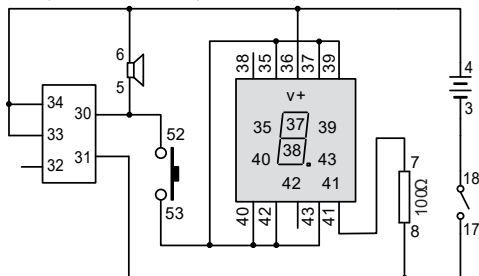


Complete all wiring connections as indicated in the sequence. By switching ON, the speaker will produce frog croaking sound. The display screen will also display digit "9" and flash to the rhythm of it.

12.42 Manual control horse neighing sound with push switch control flashing digit "0"

Wiring Sequence

3-18, 4-6-36-34-33, 5-30-52, 53-40-42-43-35-37-39, 41-7, 8-31-17

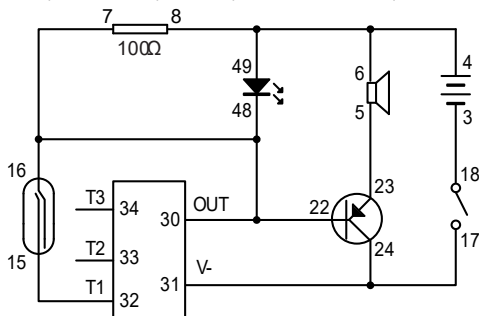


Complete all wiring connections as indicated in the sequence. By switching ON, the speaker will produce horse neighing sound, and the dot at the bottom right corner of the display screen will light up. And then by pressing the push switch without releasing it, digit 0 will light up and flash to the rhythm of the horse neighing sound.

12.43 Magnet control sheep baaing sound with flashing LED

Wiring Sequence

3-18, 17-24-31, 32-15, 16-7-30-22-48, 49-8-6-4, 5-23

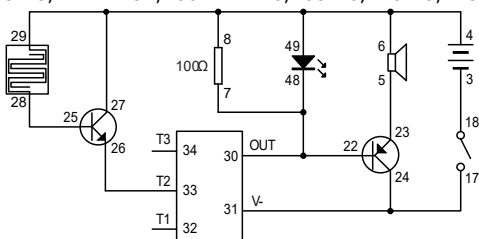


Complete all wiring connections as indicated in the sequence. Switch on the main switch. Access the reed switch with the magnetic pole. The speaker will produce sheep baaing sound and the LED will flash to the rhythm of the sheep baaing sound.

12.44 Touch control rooster crowing sound with flashing LED

Wiring Sequence

3-18, 17-24-31, 30-7-22-48, 33-26, 28-25, 23-5, 29-27-8-49-6-4

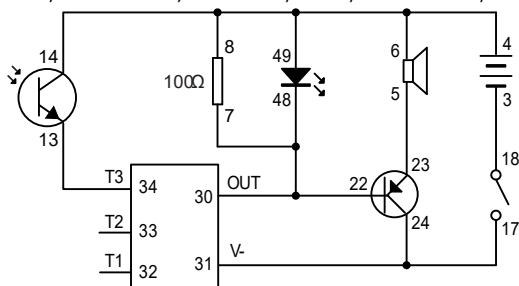


Complete all wiring connections as indicated in the sequence. Switch on the main switch. Use your finger to touch the touch plate. The speaker will produce rooster crowing sound and the LED will flash to the rhythm of it. Note that if there is no response, you may have to dampen your finger and try again.

12.45 Light control cat meowing sound with flashing LED

Wiring Sequence

5-23, 22-48-7-30, 31-24-17, 18-3, 4-6-8-49-14, 13-34

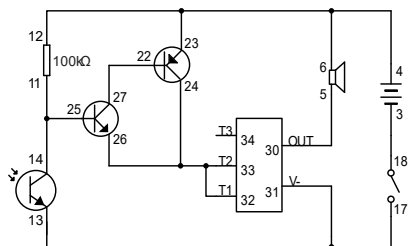


Complete all wiring connections as indicated in the sequence. Switch on the main switch. When there is light shone on the light sensor, the speaker will produce cat meowing sound and the LED will flash to the rhythm of it.

12.46 Darkness activated dog barking sound

Wiring Sequence

3-18, 4-6-23-12, 5-30, 17-31-13, 24-26-33-32, 22-27, 11-14-25

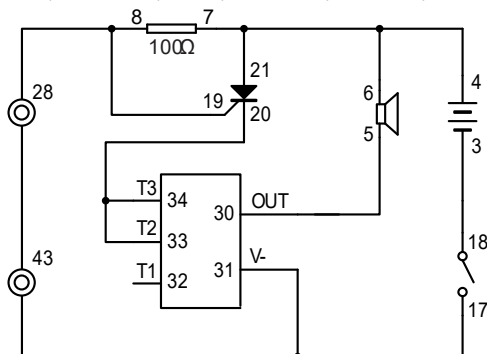


Complete all wiring connections as indicated in the sequence. Switch on the main switch and cover the light sensor completely. Then you can hear dog barking sound coming from the speaker. Once you uncover the light sensor, the dog barking sound will stop.

12.47 Security alarm based on wiring disconnection

Wiring Sequence

3-18, 17-43-31, 30-5, 4-6-21-7, 8-28-19, 20-33-34, 28-43

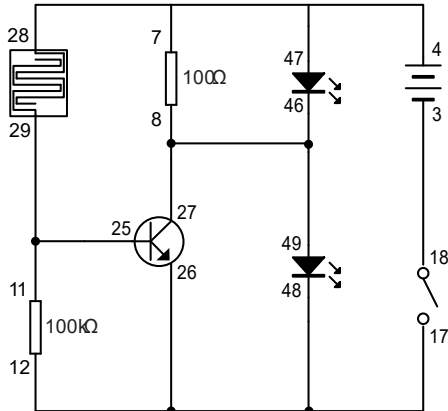


Complete all wiring connections as indicated in the sequence. Switch on the main switch. Nothing happens. Then when you disconnect the wire connecting spring 28 to 43, the speaker will produce horse neighing sound! This circuit can be used as an alarm system. For example, when somebody trips on the alarm string, horse neighing sound will warn you of a trespasser!

12.48 Water level LED alarm

Wiring Sequence

3-18, 4-7-28-47, 17-48-12-26, 8-27-49-46, 11-29-25

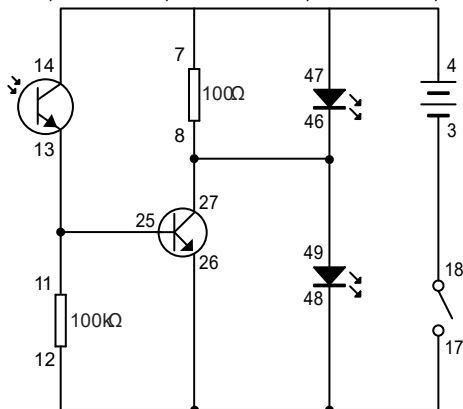


Complete all wiring connections as indicated in the sequence. Switch on the main switch. Drop a drop of water on the touch-plate. Then the multi-color LED will light up and the blue LED will extinguish. Wipe the water off the touch-plate. Then the blue LED will light up and the multi-color LED will extinguish. This principle can be used for water-level warning. Have a similar circuit at the place where the water level is needed to be supervised. When the water-level is beyond warning level, the multi-color LED will light up, and the blue LED will extinguish. When the water level is below warning level, the multi-color LED will extinguish and the blue LED will light up.

12.49 Light intensity indicator

Wiring Sequence

3-18, 4-7-14-47, 17-12-26-48, 8-27-46-49, 11-13-25



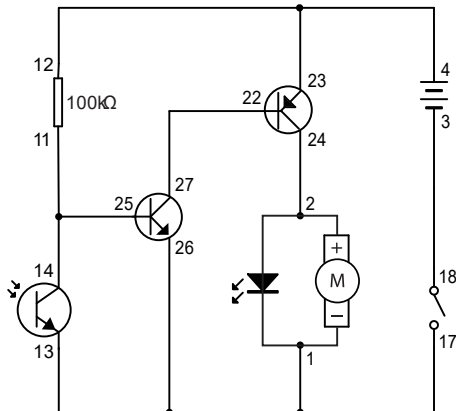
Complete all wiring connections as indicated in the sequence. Switch on the main switch. When there is light shining on the light sensor, the multi-color LED will light up, but the blue LED will not. Cover the light sensor completely. Since no light is shining on it, the multi-color LED will extinguish and the blue

LED will light up. When there is nothing covering the light sensor, the multi-color LED will light up and the blue LED will extinguish again. This can be used as a light intensity indicator.

12.50 Darkness activated spinning LED light

Wiring Sequence

3-18, 4-23-12, 26-17-1-13, 24-2, 22-27, 11-14-25

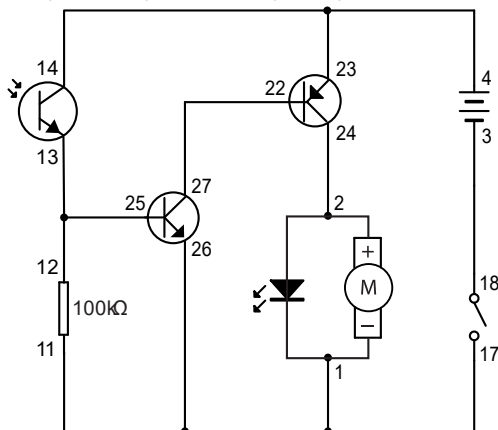


Complete all wiring connections as indicated in the sequence. Switch on the main switch. Cover the light sensor, and the spinning LED will be on. Uncover the light sensor, and then the spinning LED will turn off.

12.51 Light control spinning LED light

Wiring Sequence

3-18, 4-23-14, 26-17-1-11, 24-2, 22-27 12-13-25



Complete all wiring connections as indicated in the sequence. Switch on the main switch, and then the spinning LED will be on. When the light sensor is covered, the spinning LED will be off. Light is the switch of the spinning LED in this circuit.

© COPYRIGHT NOTICE

The copyright to this manual is owned by Velleman nv. All worldwide rights reserved. No part of this manual may be copied, reproduced, translated or reduced to

any electronic medium or otherwise without the prior written consent of the copyright holder.

HANDLEIDING

1. Inleiding



Aan alle inwoners van de Europese Unie Belangrijke milieu-informatie over dit product

Dit symbool op het apparaat of de verpakking geeft aan dat het weggoaien van het apparaat na de levenscyclus schadelijk kan zijn voor het milieu. Gooi het apparaat (of de batterijen) niet weg als ongesorteerd huishoudelijk afval, maar breng het naar een gespecialiseerd bedrijf voor recycling. Dit apparaat moet worden ingeleverd bij uw distributeur of bij een plaatselijke recyclingdienst. Respecteer de plaatselijke milieuvoorschriften.

Neem bij twijfel contact op met de plaatselijke afvalverwerkingsautoriteiten.

Bedankt voor het kiezen van Velleman! Lees de handleiding grondig door voordat u dit apparaat in gebruik neemt. Als het apparaat tijdens het transport beschadigd is, installeer of gebruik het dan niet en neem contact op met uw dealer.

2. Veiligheidsinstructies



Lees en begrijp deze handleiding en alle veiligheidsvoorschriften voordat u dit apparaat gebruikt.



Gevaar voor verstikking door kleine onderdelen. Niet voor kinderen jonger dan 3 jaar.

8+

Aanbevolen leeftijd: +.

- Dit product is bedoeld voor gebruik voor educatieve doeleinden in scholen en andere pedagogische inhoud onder toezicht van een volwassen instructeur, zoals wetenschapsapparatuur.
- Bescherm tegen regen, vocht, spatten en druppelende vloeistoffen, schokken en misbruik, extreme hitte en stof.

3. Waarschuwing

Toezicht en hulp van volwassenen is vereist.

Dit apparaat is alleen bedoeld voor gebruik door kinderen van 8 jaar en ouder.

Niet geschikt voor kinderen jonger dan 3 jaar vanwege de kleine onderdelen en componenten - **VERTERINGSGEVAAR DOOR INSLIKKEN.**

Lees voor gebruik alle instructies in de handleiding en volg ze op.

Dit speelgoed bevat kleine onderdelen en functionele scherpe punten op onderdelen. Uit de buurt houden van kinderen jonger dan 3 jaar.

Er zijn 2 AA-batterijen nodig (niet meegeleverd).

Bewaar de informatie en deze handleiding voor toekomstig gebruik.

Instructies voor ouders zijn inbegrepen en moeten worden nageleefd.

Niet dicht bij het oor gebruiken! Verkeerd gebruik kan gehoorschade veroorzaken.

4. Let op

Voordat u een experiment opzet, moet u controleren of alle bedrading correct is aangesloten voordat u de batterijen plaatst en het apparaat inschakelt.

Als het experiment klaar is, zorg er dan voor dat de batterijen losgekoppeld zijn en schakel het apparaat uit voordat je de draden opruimt.

Gebruik geen andere onderdelen voor het experiment dan de onderdelen die bij deze kit zijn geleverd.

Het speelgoed mag niet worden aangesloten op meer dan het aanbevolen aantal voedingsbronnen.

Er kan haar verstrikt raken als het hoofd van het kind te dicht bij de gemotoriseerde eenheid van dit speelgoed komt.

Dit speelgoed bevat functionele scherpe punten op de kabels en draden van onderdelen, waardoor voorzichtigheid geboden is bij het hanteren.

5. Algemene richtlijnen

- Raadpleeg de Velleman® Service- en Kwaliteitsgarantie op de laatste pagina's van deze handleiding.
- Alle wijzigingen aan het apparaat zijn om veiligheidsredenen verboden. Schade veroorzaakt door wijzigingen aan het apparaat door de gebruiker wordt niet gedekt door de garantie.
- Gebruik het apparaat alleen voor het beoogde doel. Bij ongeoorloofd gebruik vervalt de garantie.
- Schade veroorzaakt door het negeren van bepaalde richtlijnen in deze handleiding wordt niet gedekt door de garantie en de dealer aanvaardt geen verantwoordelijkheid voor defecten of problemen die hieruit voortvloeien.
- Noch Velleman-groep nv, noch haar verdelers kunnen verantwoordelijk gesteld worden voor enige schade (buitengewone, incidentele of indirecte) - van welke aard dan ook (financieel, fysisch...) die voortvloeit uit het bezit, het gebruik of het falen van dit product.
- Bewaar deze handleiding voor toekomstig gebruik.

6. Productbeschrijving

We heten je van harte welkom om deze kant-en-klare elektronische schakelset uit te proberen die geschikt is voor kinderen vanaf 8 jaar. "Je zult verstandig staan van wat je allemaal kunt leren, want het experiment is een realistisch concept van elektronica en elektriciteit. Het zal je zeker in staat stellen om meer te leren over de benodigde elektronische componenten, circuits en theorieën, evenals de basisprincipes van elektronica - elektriciteit, spanning, stroom, weerstand, magnetisme, andere elektrische circuits en theorie.

Het is niet erg als je geen kennis hebt van elektronica en niet helemaal begrijpt hoe alle experimenten werken. Als je eenmaal aan de slag gaat, kun je je kennis vergroten door te experimenteren en misschien zelf wat interessante experimenten uit te proberen.

Deze kit met elektronische schakelingen bevat meer dan 50 experimenten en is zo slim ontworpen dat de hoofdprintplaat alle relevante elektronische componenten bevat. Je hoeft alleen maar de draden aan te sluiten volgens de bedradingsvolgorde van elk experiment en de stappen een voor een te volgen. Zodra het circuit is aangesloten, wordt het geactiveerd en werkt het.

Onthoud dat dit geen eenmalig experiment is. Hoe meer je besteedt aan het bouwen van de experimenten, hoe meer kennis je zult opdoen. Je zult je nooit vervelen, maar volledig betrokken raken omdat je nog een paar jaar lang nieuwe spannende experimenten zult ontdekken.

EXPERIMENTEN

1. Eenvoudige LED-schakeling
2. Draaiend LED-licht
3. Functie van de reed-schakelaar
4. Demonstratie van weerstand en stroom
5. Weerstanden in serieschakeling
6. Weerstanden in parallelschakeling
7. Functie van de aanraakplaat
8. Een eenvoudige demonstratie van een functie van de PNP-transistor
9. Een eenvoudige demonstratie van een functie van de NPN-transistor
10. Twee LED's in parallelle aansluiting
11. Drie LED's in parallelle aansluiting
12. LED en draaiende LED met één schakelaar
13. LED en draaiende LED met afzonderlijke schakelaars
14. Basiswerking van LED-schakeling
15. Spinning LED licht in vooraf circuit werking van LED's

16. LED's combinatie
17. Functie van een diode
18. Een eenvoudige demonstratie van de lichtsensor
19. Een praktisch voorbeeld: Licht getriggerde LED
20. Een praktisch voorbeeld: Door duisternis geactiveerde LED
21. Demonstratie van een eenvoudige functie van SCR
22. Een praktisch voorbeeld van SCR
23. Digitale segment-LED die "1" weergeeft.
24. Digitale segment-LED die "2" - weergeeft
25. Digitale segment-LED die "8" weergeeft.
26. Digitale segment-LED die "F" weergeeft .
27. Digitale segment-LED schakelen tussen "1" en "8"
28. Digitale segment-LED schakelt tussen "I", "L", "F" en "E" - "I", "L", "F" en "E".
29. Lichtregeling zeven-segment LED-display - C (Donker type)
30. Lichtregeling zeven-segment LED-display - E (Lichttype)
31. Knipperende LED's
32. Hond blaft geluid met knipperende LED
33. Hondengeblaf en knipperend cijfer "1".
34. Kraaiend geluid van haan en knipperend cijfer "2" - De haan kraait.
35. Kattenmiauwgeluid en knipperend cijfer "3"
36. Hinnikend paard en knipperend cijfer "4".
37. Vogel tsjilpend geluid en knipperend cijfer "5"
38. Eendenkwaakgeluid en knipperend cijfer "6"
39. Schaaap blaft geluid en knipperend cijfer "7"
40. Koekoeksroepend geluid en knipperend cijfer "8".
41. Kikkerkwaakgeluid en knipperend cijfer "9"
42. Handmatige bediening hinnikgeluid paard met drukknop bediening knipperend cijfer "0"
43. Magneet bediening schaaap baaing geluid met knipperende LED
44. Kraaiende haan met aanraakbediening en knipperende LED
45. Light controle kat miauwen geluid met knipperende LED
46. Duisternis geactiveerd hondengeblaf
47. Beveiligingsalarm op basis van loskoppeling van bedrading
48. LED-alarm waterniveau
49. Indicator lichtsterkte
50. Duisternis geactiveerd draaiend LED licht
51. Lichtregeling draaiend LED-licht

7. Woordenlijst

Versterker - Een elektronisch circuit dat het signaal versterkt dat er naartoe wordt gestuurd. De versterkende component kan een transistor, vacuümbuis of geschikt magnetisch apparaat zijn.

Batterij - Een energiebron. Hij bevat chemicaliën die een chemische reactie ondergaan om elektriciteit te produceren wanneer een circuit wordt aangesloten.

Capaciteit - Een meting van de capaciteit van een condensator om elektrische lading op te slaan.

Condensator - Een apparaat dat bestaat uit twee geleiders die worden gescheiden door een isolator. Hij is ontworpen om elektrische lading op te slaan of als filter in een circuit.

IC (Integrated Circuit) - Een klein elektronisch apparaat gemaakt van halfgeleidermateriaal dat wordt gebruikt voor verschillende apparaten, waaronder microprocessors, elektronische apparatuur en auto's.

Lichtsensor - Er zijn verschillende soorten lichtsensoren. De sensor die hier wordt gebruikt is een fototransistor. Wanneer er licht op valt, is deze als een schakelaar aangesloten en wordt er stroom doorheen gestuurd.

Diode - Een apparaat dat in elektrische circuits wordt gebruikt om een elektrische stroom in één richting te laten stromen en in omgekeerde richting te blokkeren.

Microfoon - Een apparaat dat geluid omzet in een elektrisch signaal.

Motor - Een apparaat zet elektrische energie om in mechanische beweging.

LED (Light Emitting Diode) - Een diode zendt licht uit wanneer er stroom doorheen gaat.

Weerstand - Een meting van de mate waarin een object een elektrische stroom tegenhoudt.

Weerstand - Een apparaat dat is ontworpen om weerstand te bezitten.

Luidspreker - Een apparaat dat elektrische signalen omzet in geluid.

Schakelaar - Een apparaat voor het openen en sluiten van de stroombron naar een circuit.

Transistor - Een halfgeleiderapparaat dat een signaal versterkt en een circuit opent of sluit.

Waarheidstabel - Dit is een wiskundige tabel die wordt gebruikt om de waarden van logische explicaties logisch te berekenen en als beslissingsprocedure.

Variabele weerstand - Een soort weerstand en een apparaat met instelbare weerstand in een elektronisch/elektrisch circuit.

Draad - Een geleider die elektriciteit geleidt. Het aansluiten van een draad is als een pad waardoor elektriciteit kan stromen.

Reed-schakelaar: Dit is een magnetische schakelaar die binnenin metalen rietjes bevat. Als er een magneet in de buurt komt, zorgt de aantrekkingskracht ervoor dat de rietjes samenkomen. Zo komen ze met elkaar in contact en wordt het pad verbonden.

Aanraakplaat: Het is een plaat met twee delen van geleidende oppervlakken. De twee oppervlakken zijn niet met elkaar verbonden, maar er zit een kleine spleet tussen. Door de kleine spleet kan er geen elektriciteit doorheen stromen. Als het wordt aangeraakt door een vinger of besprenkeld met een waterdruppel, wordt de kleine opening opgevuld en kan er elektriciteit doorheen stromen (hoewel de weerstand vrij groot is omdat de weerstand van water vrij groot is).

Zoemer: Een apparaat dat een eenvoudig geluid kan produceren

SCR: Een siliciumgestuurde gelijkrichter, of SCR, is als een verkeersagent voor elektriciteit in elektronische apparaten. Hij laat de stroom in één richting stromen en werkt als een poort die open en dicht gaat. Het is een speciaal soort schakelaar die de stroom helpt regelen en ervoor zorgt dat alles soepel verloopt.

8. Batterij informatie

Gebruik 2 x 1,5V AA-batterijen (niet meegeleverd).

Gebruik voor de beste prestaties altijd nieuwe batterijen en verwijder de batterijen als u ze niet gebruikt.

Batterijen moeten met de juiste polariteit worden geplaatst.

Niet-oplaadbare batterijen mogen niet worden opgeladen.

Oplaadbare batterijen mogen alleen onder toezicht van een volwassene worden opgeladen.

Oplaadbare batterijen moeten uit het speelgoed worden gehaald voordat ze worden opgeladen.

Verschillende soorten batterijen of nieuwe en gebruikte batterijen mogen niet gemengd worden.

Lege batterijen moeten uit het speelgoed worden verwijderd.

De voedingsklemmen mogen niet worden kortgesloten.

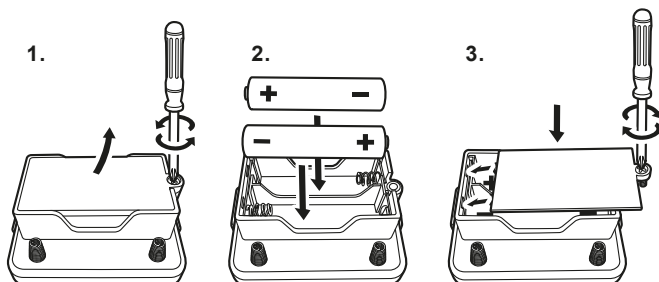
Gebruik alleen batterijen van hetzelfde of een gelijkwaardig type.

Gooi de batterijen niet in het vuur.

Gebruik geen oude en nieuwe batterijen door elkaar.

Gebruik geen alkalinebatterijen, zinkkoolstofbatterijen en oplaadbare batterijen door elkaar.

Schroef het batterijdeksel los met een schroevendraaier om de batterijen te plaatsen. Plaats de benodigde batterijen in overeenstemming met de batterijpolariteit met de + en - uiteinden in de juiste positie en schroef vervolgens het batterijdeksel vast om de behuizing van het batterijcompartiment te sluiten.



9. Bedradingsvolgorde en aansluiting

Zorg ervoor dat alle draden correct zijn aangesloten op de genummerde veerklemmen van de hoofdprintplaat zoals aangegeven in de bedradingsvolgorde van elk experiment. Buig de veerklem om en steek de blootliggende glanzende geleider van de draad in de veerklem. Zorg ervoor dat de draad goed is aangesloten op de veerklem.

Bijvoorbeeld als de bedradingsvolgorde 4-33, 1-10-32-35, 2-12 is, sluit dan een draad aan tussen veerklem 4 en 33; en sluit vervolgens een draad aan tussen veerklem 1 en 10, en een draad tussen veerklem 10 en 32, en een draad tussen veerklem 32 en 35; en sluit tenslotte een draad aan tussen veerklem 2 en 12. Dit is slechts een voorbeeld ter referentie, geen exacte circuitverbinding in het experiment.

Als het circuit niet werkt, kunt u de verbinding tussen de draad en de veerklem controleren of deze niet goed is aangesloten of dat het geïsoleerde plastic deel van een draad in de veerklem is gestoken.

10. Componentkenmerk

In dit experimentenpakket leer je de basistheorie van het circuit, de karakteristiek van condensator, IC (Integrated Circuit), LED (Light Emitting Diode), lichtsensor, weerstand en transistor. Je leert dat wanneer transistor en condensator samenwerken, er verschillende licht- en geluidseffecten kunnen worden gemaakt in verschillende circuitverbindingen.

Een condensator is een apparaat dat bestaat uit twee geleiders die worden gescheiden door een isolator. Het is ontworpen om elektrische lading op te slaan of als filter in een circuit. Het is een veelgebruikt onderdeel in elektronische en elektrische circuits als energieopslagapparaat of als filterapparaat om elektronische ruis of nutteloze frequentiesignalen uit te filteren. Er zijn verschillende soorten condensatoren die ontworpen zijn voor verschillende toepassingen in elektronische en elektrische circuits.



Elektrolytische condensator



Schakelsymbol

IC (Integrated Circuit) is een klein elektronisch apparaat gemaakt van halfgeleiders en wordt gebruikt voor verschillende apparaten, waaronder microprocessors, elektronische apparatuur en auto's. IC's worden gemaakt door een groot aantal transistors in een "chip" (silicium) te plaatsen. IC's worden gemaakt door een groot aantal transistors op een "chip" (silicium) te plaatsen. Het is nu een kritische en veelgebruikte component in een groot aantal toepassingen, van speelgoed en huishoudelijke producten tot geavanceerde apparatuur.



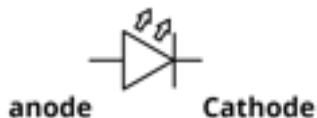
Geïntegreerd circuit

LED (Light Emitting Diode) is een diode die licht uitzendt wanneer er elektrische stroom doorheen gaat. LED heeft verschillende lichtkleuren die afhangen van het soort halfgeleidende materialen dat wordt gebruikt. Het is een veelgebruikt apparaat in huishoudelijke en voertuigverlichting.

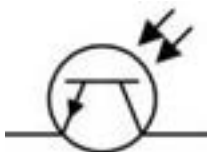


LED (lichtemitterende diode)

Schakelsymbool



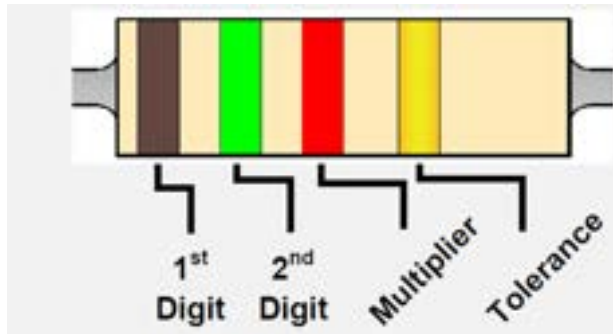
Een lichtsensor is een apparaat dat reageert op licht. Er zijn verschillende soorten lichtsensoren. Degene die hier wordt gebruikt is een fototransistor. Als er geen licht is, kan er geen elektrische stroom doorheen lopen. Daarom is het als een schakelaar die is uitgeschakeld. Wanneer er licht op valt, kan er wel elektrische stroom doorheen lopen. Het is dan als een schakelaar die wordt ingeschakeld. Op deze manier kan een lichtregelcircuit worden gemaakt.



Schakelsymbool

Weerstanden gebruiken verschillende kleuren ringen om de waarde (weerstand) weer te geven. De 1e en 2e ring vertegenwoordigen het cijfer. De 3e ring vertegenwoordigt de vermenigvuldigingsfactor zoals weergegeven in de tabel. De 4e ring vertegenwoordigt de tolerantie, oftewel de nauwkeurigheid van de weerstand. Voorbeeld: De gekleurde ringen zijn bruin, rood, bruin en goud, wat staat voor een weerstand van 120 ohm, tolerantie 5% (Ω).

Kleuridentificatiecode

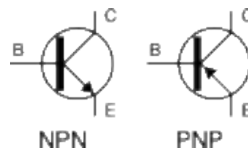


Kleur	1e	2e	3 rd - vermenigvuldiger	Tolerantie
Zwart	0	0	x 1	
Bruin	1	1	x 10	
Rood	2	2	x 100	
Oranje	3	3	x 1000	
Geel	4	4	x 10000	
Groen	5	5	x 100000	
Blauw	6	6	x 1000000	
Paars	7	7		
Grijs	8	8		
Wit	9	9		
Bruin				+/- 1%
Rood				+/- 2%
Goud			x 0.1	+/- 5%
Zilver			x 0.01	+/- 10%

Transistor is een halfgeleiderapparaat dat wordt gebruikt om een signaal te versterken en te openen of te sluiten in een schakeling. Er zijn twee soorten transistors, namelijk **NPN** en **PNP**, met een vergelijkbaar circuitsymbool. De transistor is een fundamenteel apparaat dat veel wordt gebruikt in moderne elektronische apparatuur. Het heeft de snelste reactie en nauwkeurige werking als versterker en schakelapparaat, en kan fungeren als een afzonderlijk apparaat / component of als onderdeel van IC (Integrated Circuit). IC's bestaan uit meer dan duizend tot miljoenen transistors.



Transistor



NPN

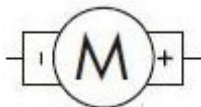
PNP

Schakelsymbool

Als je bovenstaande informatie al hebt gelezen en meer wilt weten over elektrische schakelingen en hoe nuttig de componenten kunnen zijn, laten we dan de volgende experimenten uitvoeren.

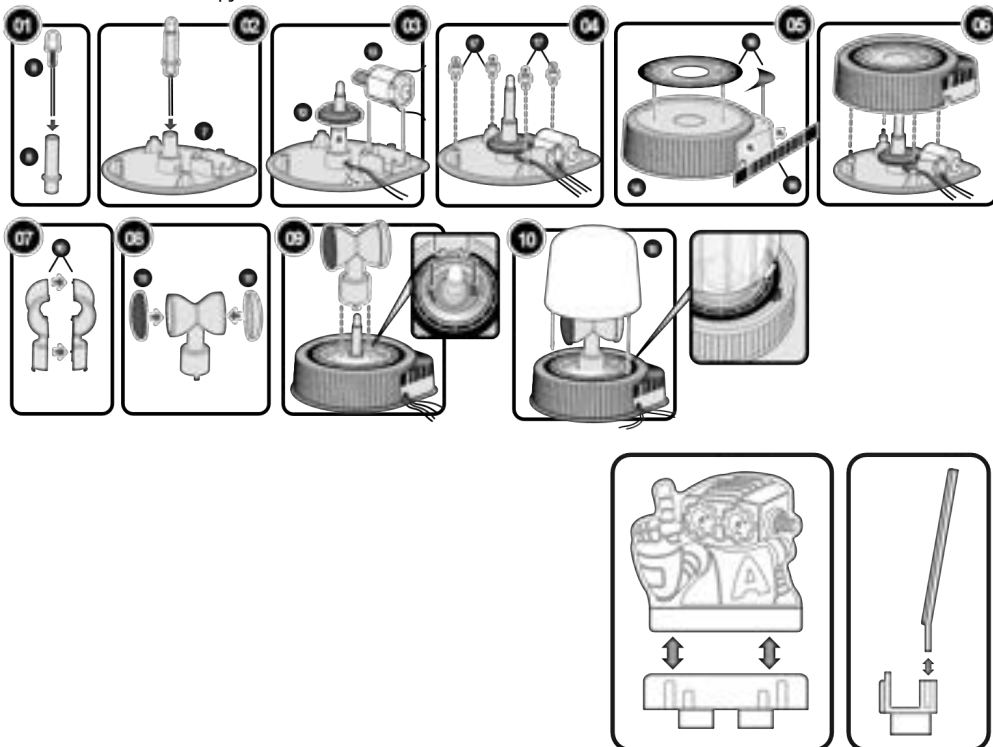
De motor is een apparaat dat roterende beweging produceert wanneer er elektriciteit wordt geleverd. Naar analogie is de batterij als een pomp die water door de palen (draden) pompt. Wanneer een stroomkring is aangesloten, kan er elektriciteit doorheen stromen. De elektriciteit die stroomt wordt een stroom genoemd. Een stroom is de stroom van elektrische ladingen. De hoeveelheid stroom is de hoeveelheid elektrische lading die in een seconde door de draad stroomt.

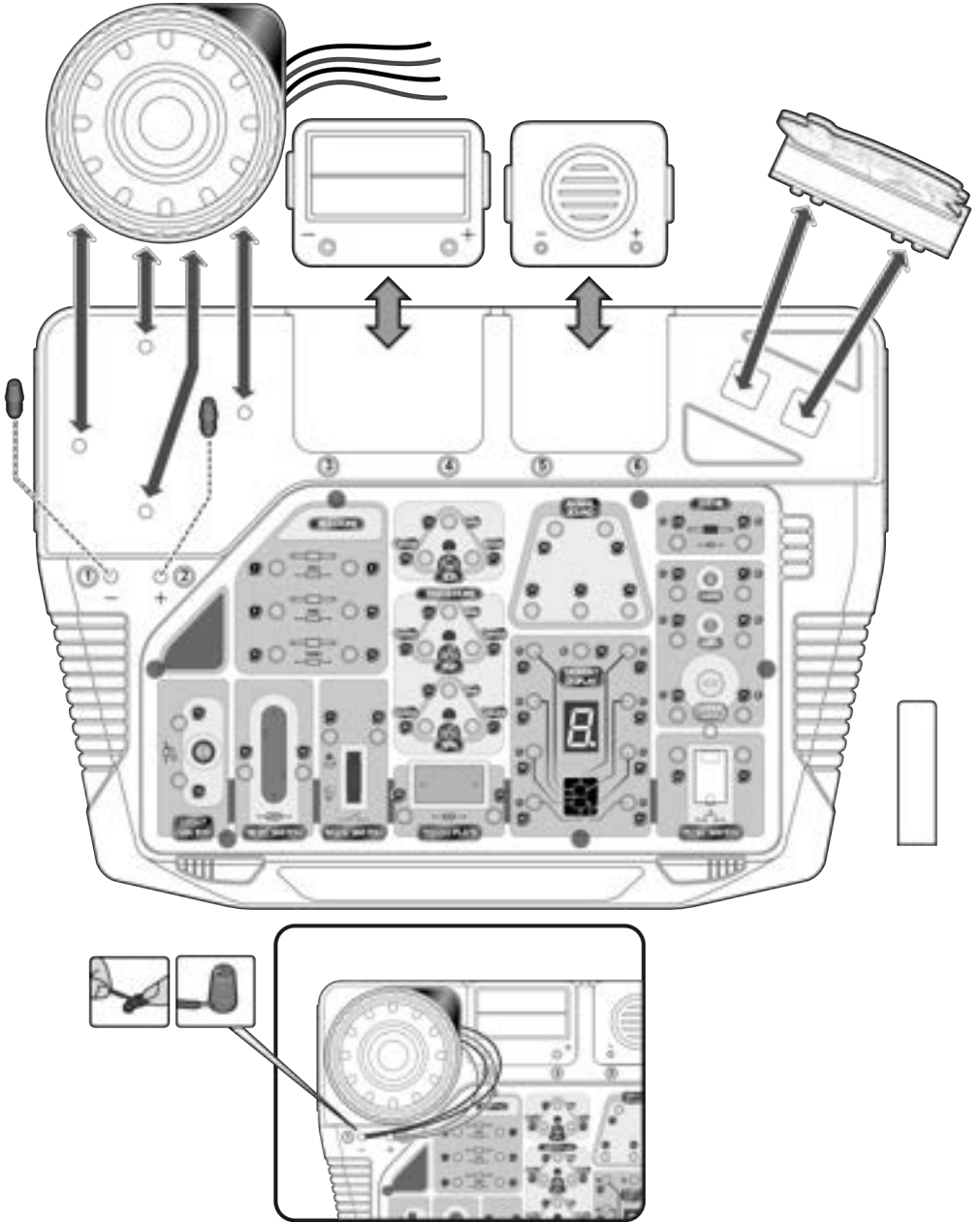
Een andere veelgebruikte term over elektriciteit is spanning. Spanning verwijst naar de elektrische energie per eenheid lading. Het is de elektrische energie die elke hoeveelheid elektrische lading per eenheid met zich meedraagt.



11. monteren

Ronddraaiend LED-lampje:



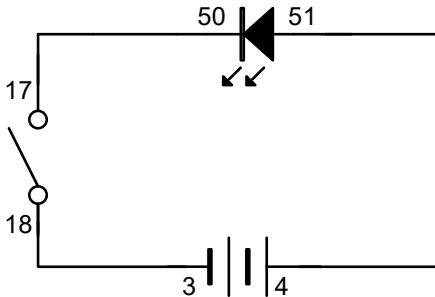


12. Experimenten

12.1 Eenvoudig LED-circuit

Bedradingsvolgorde

4-51, 50-17, 18-3



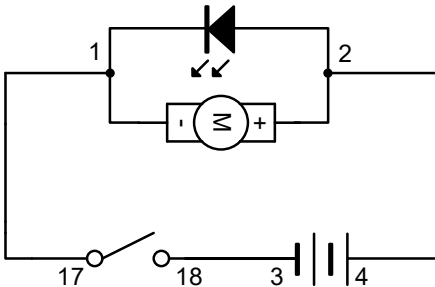
Voltooi alle bedradingsaansluitingen zoals aangegeven in de volgorde. Door AAN te schakelen, gaat de LED branden. Bij uitschakelen gaat de LED uit.

Je kunt zelf een andere LED gebruiken. Kijk gewoon naar het schakelschema en sluit een andere LED op dezelfde manier aan. Haal alleen niet de +ve en -ve pool door elkaar. Anders gaat de LED niet branden.

12.2 Draaiend LED licht

Bedradingsvolgorde

4-2, 1-17, 18-3

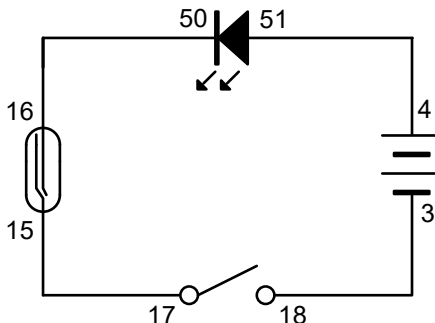


Voltooi alle bedradingsaansluitingen zoals aangegeven in de volgorde. Zet de hoofdschakelaar aan. De draaiende LED zal oplichten en draaien!

12.3 Functie van de reed-schakelaar

Bedradingsvolgorde

4-51, 50-16, 15-17, 18-3

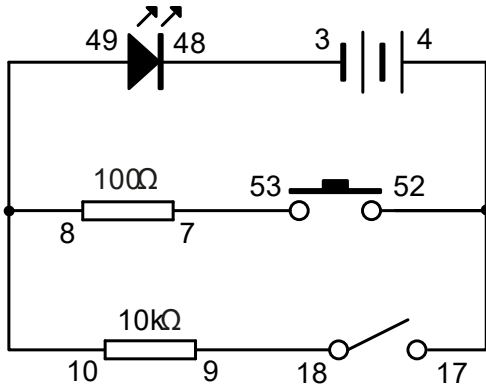


Voltooi alle bedradingsaansluitingen zoals aangegeven in de volgorde. Schakel de hoofdschakelaar in. Ga naar de reed-schakelaar met de magnetische pool. De LED gaat branden als het circuit is aangesloten. Als je de magnetische pool weghaalt, wordt het circuit uitgeschakeld en gaat de LED uit.

12.4 Demonstratie van weerstand en stroom

Bedradingsvolgorde

48-3, 4-52-17, 18-9, 10-49-8, 7-53

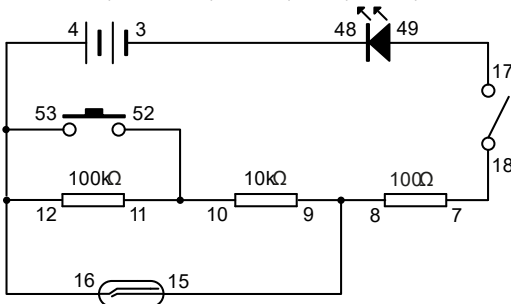


Voltooi alle bedradingsaansluitingen zoals aangegeven in de volgorde. Zet de hoofdschakelaar aan. De LED zal zwak oplichten. Zet de hoofdschakelaar uit om hem uit te schakelen. Druk nu op de drukschakelaar. De LED zal feller gaan branden. Dit komt omdat het pad van de hoofdschakelaar een weerstand met een grotere weerstand heeft. De stroom door dit pad zal dus minder zijn, waardoor de LED minder fel zal branden. Aan de andere kant heeft het pad van de drukschakelaar een weerstand met een kleinere weerstand. De stroom door dit pad zal dus groter zijn en de LED zal helderder zijn.

12.5 Weerstanden in serie

Bedradingsvolgorde

4-12-16-53, 52-11-10, 9-15-8, 7-18, 17-49, 48-3

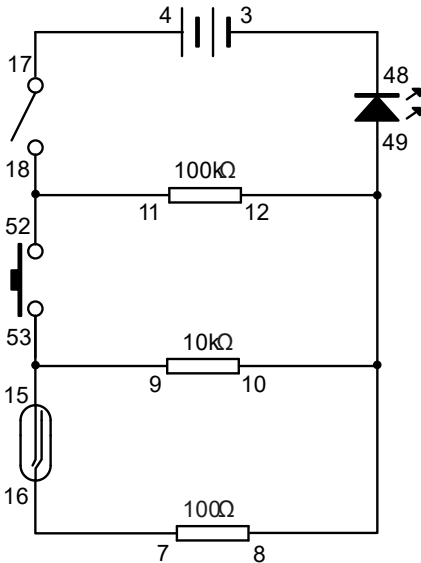


Voltooi alle bedradingsaansluitingen zoals aangegeven in de volgorde. Zet de hoofdschakelaar aan. De elektrische stroom van de batterijen moet door 3 weerstanden en daarom zal de LED heel zwak of helemaal niet oplichten. Druk op de drukschakelaar. Deze keer moet de stroom slechts door 2 weerstanden, waardoor de LED helderder oplicht dan voorheen. Ga naar de reed-schakelaar met de magnetische pool. Deze keer moet de stroom door slechts 1 weerstand, zodat de LED nog feller oplicht. Naar analogie is een weerstand als een obstakel. Hoe minder obstakels er in het circuit zijn, hoe meer stroom er doorheen kan stromen.

12.6 Weerstanden in parallelschakeling

Bedradingsvolgorde

4-17, 18-11-52, 53-9-15, 16-7, 8-10-12-49, 48-3

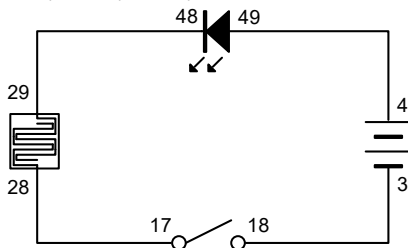


Voltooi alle bedradingsaansluitingen zoals aangegeven in de volgorde. Zet de hoofdschakelaar aan. De elektrische stroom van de batterijen gaat door de weerstand van $100\text{k}\Omega$ om de LED te laten oplichten. De LED zal heel zwak of helemaal niet oplichten. Druk op de drukschakelaar. Nu is er nog een pad beschikbaar. Hoewel er een weerstand van $10\text{k}\Omega$ in dit pad zit, is dit nog steeds een extra pad waar de stroom doorheen kan lopen. Daarom zal er meer stroom door de LED lopen en zal deze feller gaan branden! Maak de drukschakelaar niet los. Open de reed-schakelaar met de magnetische pool. Nu is er nog een extra pad beschikbaar! Er zijn nu in totaal 3 paden waar de stroom doorheen kan lopen en dus zal de LED helder gaan branden! Hoewel er deze keer ook 3 weerstanden in het circuit zitten, gaat de LED helder branden. De weerstanden zijn parallel geschakeld, dus dit geeft een ander resultaat.

12.7 Functie van de aanraakplaat

Bedradingsvolgorde

4-49, 48-29, 28-17, 18-3

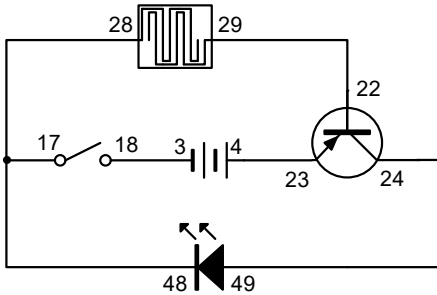


Voltooi alle bedradingsaansluitingen zoals aangegeven in de volgorde. Zet de hoofdschakelaar aan. Maak je vinger vochtig met water en raak de aanraakplaat aan. De LED zal heel zwak oplichten. Dit geeft aan dat water een grote weerstand heeft en er dus maar een klein beetje elektrische stroom door kan. Als je een druppel zout water op het aanraakplaatje doet, gaat de LED feller branden! Dit komt omdat zout water een betere geleider is dan gewoon water en er dus meer stroom door kan.

12.8 Een eenvoudige demonstratie van een functie van de PNP-transistor

Bedradingsvolgorde

4-23, 24-49, 22-29, 28-48-17, 18-3

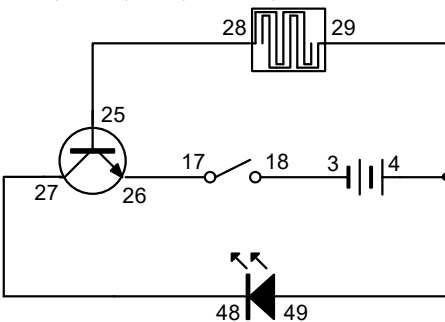


Voltooi alle bedradingsaansluitingen zoals aangegeven in de volgorde. Zet de hoofdschakelaar aan. Maak je vinger vochtig met water en raak de aanraakplaat aan. Doordat er maar heel weinig elektrische stroom door de aanraakplaat loopt (zoals in het laatste experiment te zien was), gaat de LED fel branden! Dat komt omdat in deze schakeling de PNP-transistor de echte poort naar de LED is en de aanraakplaat alleen fungeert als schakelaar om de poort te openen! Wanneer het bovenste deel van de schakeling niet is aangesloten, loopt er geen stroom door de "Emitter" naar de "Base" van de transistor. De poort van de "Emitter" naar de "Collector" is dus gesloten. Wanneer je de aanraakplaat aanraakt, wordt het bovenste circuit aangesloten; er gaat een heel klein beetje stroom door de "Emitter" naar de "Base" en dan wordt de poort van de "Emitter" naar de "Collector" geopend! Elektrische stroom van de batterij kan dan door de transistor naar de LED stromen en daardoor zal de LED helder oplichten!

12.9 Een eenvoudige demonstratie van de functie van de NPN-transistor

Bedradingsvolgorde

28-25, 26-17, 18-3, 4-29-49, 48-27

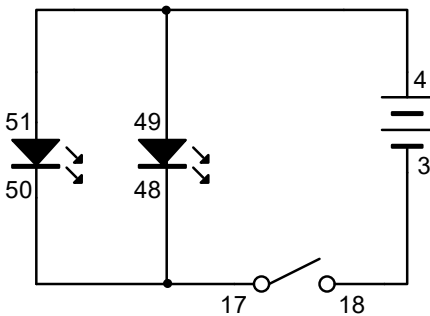


Voltooi alle bedradingsaansluitingen zoals aangegeven in de volgorde. Zet de hoofdschakelaar aan. Raak de aanraakplaat aan. Doordat er maar heel weinig elektrische stroom door de aanraakplaat loopt (zoals in het laatste experiment te zien was), gaat de LED fel branden! Dit is ongeveer hetzelfde als bij de PNP-transistor. Alleen zijn de polariteiten van de transistor omgekeerd.

12.10 Twee LED's in parallelle aansluiting

Bedradingsvolgorde

4-49-51, 50-48-17, 18-3

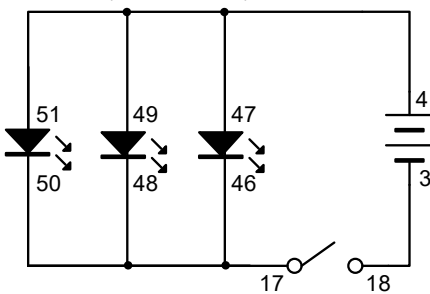


Voltooi alle bedradingsaansluitingen zoals aangegeven in de volgorde. Door AAN te schakelen, gaan beide LED's branden. Bij het uitschakelen gaan beide LED's uit.

12.11 Drie LED's in parallelle aansluiting

Bedradingsvolgorde

4-47-49-51, 50-48-46-17, 18-3

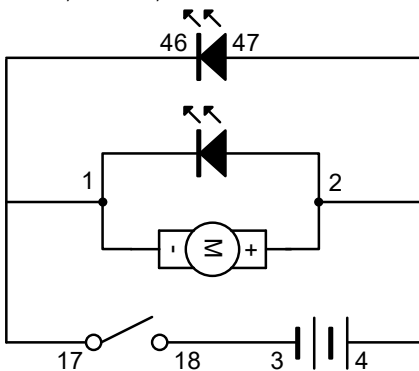


Voltooi alle bedradingsaansluitingen zoals aangegeven in de volgorde. Bij het inschakelen gaan drie LED's branden. Bij het uitschakelen gaan alle drie de LED's uit.

12.12 LED en draaiende LED met één schakelaar

Bedradingsvolgorde

4-2-47, 46-1-17, 18-3

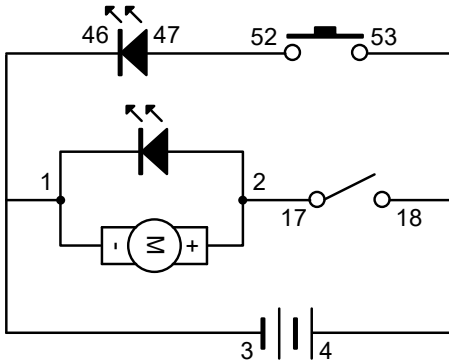


Voltooi alle bedradingsaansluitingen zoals aangegeven in de volgorde. Zet de hoofdschakelaar aan. De LED zal oplichten en het draaiende LED-lampje zal branden. Als je de hoofdschakelaar uitschakelt, zijn beide apparaten tegelijk uit.

12.13 LED en draaiende LED met afzonderlijke schakelaars

Bedradingsvolgorde

4-18-53, 17-2, 52-47, 46-1-3

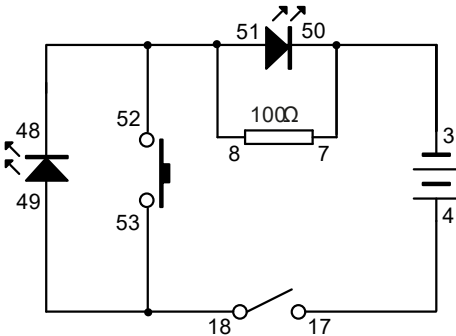


Voltooi alle bedradingsverbindingen zoals aangegeven in de volgorde. Als je de hoofdschakelaar inschakelt, brandt de draaiende LED. Als je op de drukschakelaar drukt, gaat de LED branden. Ze worden aangestuurd door aparte schakelaars zodat je ze afzonderlijk aan en uit kunt zetten.

12.14 Basisschakeling van LED

Bedradingsvolgorde

4-17, 18-49-53, 52-48-51-8, 7-50-3

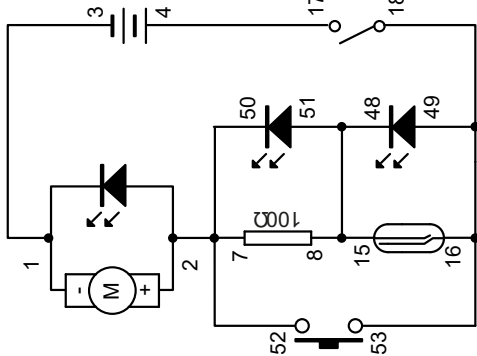


Voltooi alle bedradingsaansluitingen zoals aangegeven in de volgorde. Zet de hoofdschakelaar aan. Je zult zien dat de kleine LED gaat branden, maar de grote LED niet. Als je op de drukschakelaar drukt, zul je zien dat de grote LED gaat branden maar de kleine LED wordt uitgeschakeld.

12.15 Spinning LED-licht in vooraf circuit werking van LED's

Bedradingsvolgorde

4-17, 18-49-53-16, 15-48-51-8, 7-50-52-2, 1-3

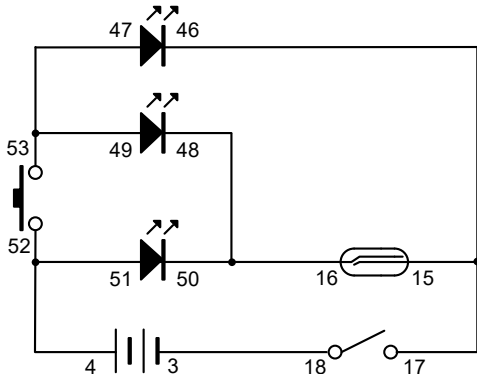


Voltooi alle bedradingsaansluitingen zoals aangegeven in de volgorde. Zet de hoofdschakelaar aan. Je zult zien dat de blauwe LED gaat branden, maar de andere LED's niet. Wanneer je de reed-schakelaar met de magnetische pool opent, zal de blauwe LED uit zijn en zal nu alleen de gele LED oplichten. Druk op de drukschakelaar. Deze keer zal alleen de draaiende LED branden!

12.16 LED's Combinatie

Bedradingsvolgorde

4-52-51, 50-16-48, 49-53-47, 46-15-17, 18-3

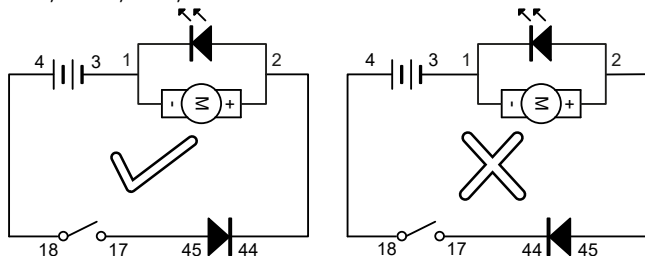


Voltooi alle bedradingsaansluitingen zoals aangegeven in de volgorde. Schakel de hoofdschakelaar in. Het indrukken van de drukschakelaar of het openen van de reed-schakelaar met de magnetische pool, of beide tegelijk, leidt tot verschillende LED-prestaties!

12.17 Functie van een diode

Bedradingsvolgorde

4-18, 17-45, 44-2, 1-3

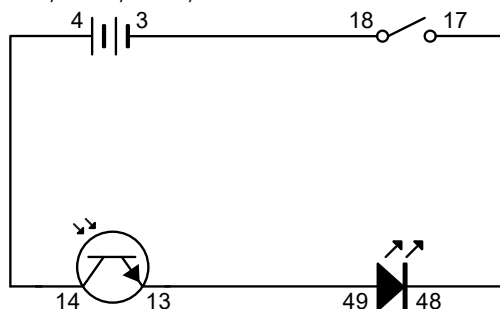


Voltooi alle bedradingsaansluitingen zoals aangegeven in de volgorde. Zet de hoofdschakelaar aan. De motor gaat draaien. Als je de aansluitpolariteit van de diode omkeert door de bedrading een beetje anders aan te sluiten, 17 aansluiten op 44 en 2 aansluiten op 45, dan zul je dit keer merken dat de schakeling niet werkt. Dit komt doordat de diode geen stroom in omgekeerde richting doorlaat. Daarom werkt de schakeling deze keer niet.

12.18 Een eenvoudige demonstratie van de lichtsensor

Bedradingsvolgorde

4-14, 13-49, 48-17, 18-3

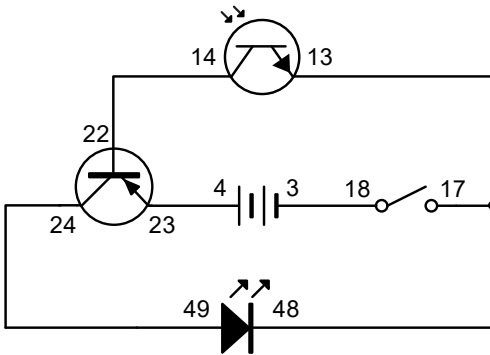


Voltooi alle bedradingsaansluitingen zoals aangegeven in de volgorde. Zet de hoofdschakelaar aan. Je zult merken dat de LED heel zwak oplicht. Dit geeft aan dat er slechts een zeer kleine hoeveelheid stroom doorheen loopt. Dit hangt af van de intensiteit van het licht dat op de lichtsensor valt. Als je dit experiment op een donkere plek uitvoert, kan het zijn dat de LED helemaal niet oplicht. Als je een zaklamp gebruikt om op de lichtsensor te schijnen, kun je zien dat de LED helder oplicht. Dit komt doordat er bij meer licht meer stroom door de lichtsensor kan stromen om de LED te laten oplichten.

12.19 Een praktisch voorbeeld: Lichtgestuurde LED

Bedradingsvolgorde

4-23, 22-14, 24-49, 48-13-17, 18-3

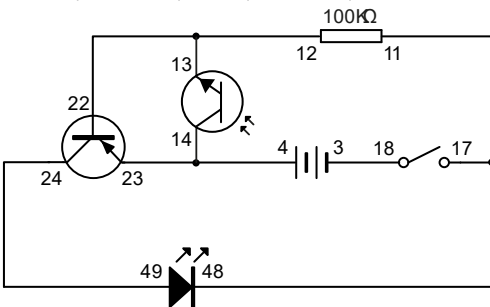


Voltooi alle bedradingsaansluitingen zoals aangegeven in de volgorde. Zet de hoofdschakelaar aan. Deze keer zal de LED, zelfs bij een kleine hoeveelheid licht, helder oplichten! Dat komt omdat in deze schakeling de PNP-transistor de echte poort naar de LED is, en de lichtsensor alleen fungeert als schakelaar om de poort te openen! Wanneer het bovenste deel van de schakeling niet is aangesloten, loopt er geen stroom door de "Emitter" naar de "Base" van de transistor. De poort van de "Emitter" naar de "Collector" is dus gesloten. Wanneer er licht op de lichtsensor valt, wordt het bovenste circuit aangesloten; er gaat een heel klein beetje stroom door de "Emitter" naar de "Base", en dan wordt de poort van de "Emitter" naar de "Collector" geopend! Elektrische stroom van de batterij kan dan door de transistor naar de LED stromen, en daardoor zal de LED helder oplichten! Deze schakeling maakt van de lichtsensor een gevoelige schakelaar die licht detecteert.

12.20 Een praktisch voorbeeld: Door duisternis geactiveerde LED

Bedradingsvolgorde

4-14-23, 22-13-12, 24-49, 48-11-17, 18-3

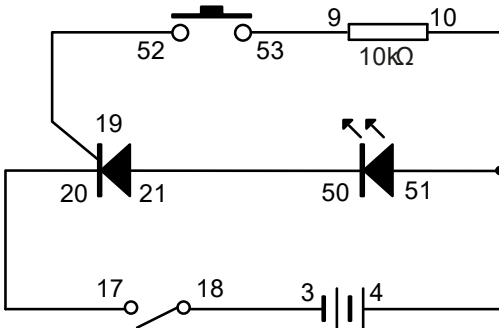


Voltooi alle bedradingsaansluitingen zoals aangegeven in de volgorde. Zet de hoofdschakelaar aan. Als je je in een kamer met fel licht bevindt, zal de LED niet branden. Als je de lichtsensor afdekt, gaat de LED branden. Dit betekent dat de LED wordt ingeschakeld door duisternis in plaats van licht!

12.21 Demonstratie van een eenvoudige functie van SCR

Bedradingsvolgorde

21-50, 51-4-10, 9-53, 52-19, 20-17, 18-3

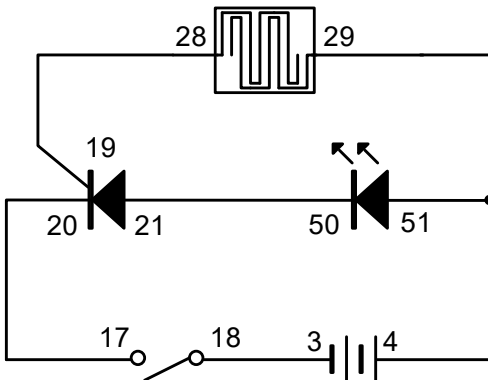


Voltooi alle bedradingsaansluitingen zoals aangegeven in de volgorde. Zet de hoofdschakelaar aan. Er gebeurt niets. Druk vervolgens op de drukschakelaar zonder deze los te laten. Het bovenste deel van het circuit is aangesloten en dus kan er stroom vloeien door de gate (G) en kathode (K) van de SCR omdat het een volledig circuit is. Dit is als het openen van de poort van de SCR. En de hoofdstroom kan door de anode (A) en de kathode (K) stromen, waardoor de LED oplicht. Laat de drukschakelaar los. De LED blijft nog steeds branden! Dit komt omdat de "poort" al geopend is door de beginstroom van het bovenste circuit en daarom zal de hoofdstroom door de SCR blijven stromen. Als je de LED wilt uitschakelen, moet je dus de hoofdschakelaar uitschakelen.

12.22 Een praktisch voorbeeld van SCR

Bedradingsvolgorde

21-50, 51-4-29, 28-19, 20-17, 18-3

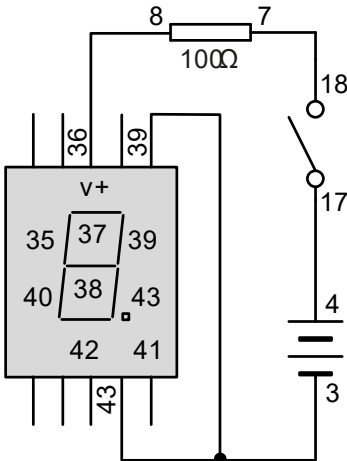


Voltooi alle bedradingsaansluitingen zoals aangegeven in de volgorde. Zet de hoofdschakelaar aan. Er gebeurt niets. Als er een druppel water op de aanraakplaat valt, gaat de LED branden. Zelfs als de aanraakplaat daarna is opgedroogd, blijft de LED branden omdat de poort van de SCR is geopend. Op basis van dit principe kun je een monitor instellen die aangeeft of het getij ooit een bepaalde hoogte heeft bereikt, of er regen is gevallen in de periode dat je van huis bent voor een uitstapje, of dat er ooit iets nat is geworden enz.

12.23 Digitale segment-LED die "1" weergeeft

Bedradingsvolgorde

4-17, 18-7, 8-36, 3-39-43

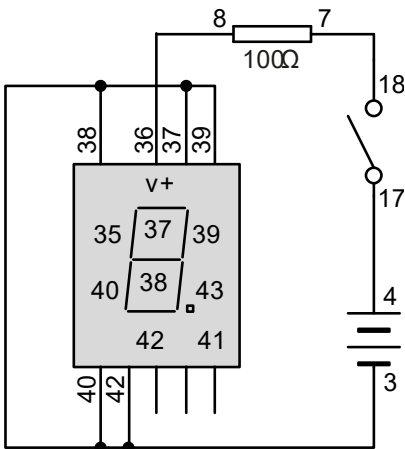


Voltooi alle bedradingsaansluitingen zoals aangegeven in de volgorde. Bij het inschakelen van ON zal de LED van het digitale segment "1" weergeven.

12.24 Digitale segment-LED die "2" weergeeft

Bedradingsvolgorde

4-17, 18-7, 8-36, 3-37-38-39-40-42

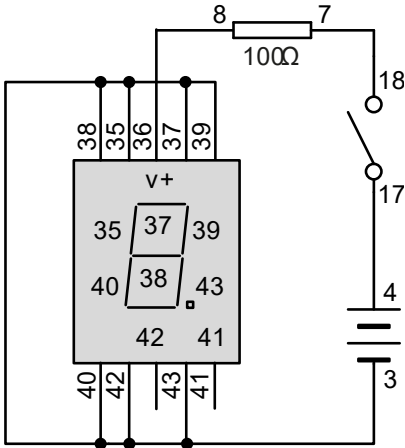


Voltooi alle bedradingsaansluitingen zoals aangegeven in de volgorde. Bij het inschakelen van ON zal de LED van het digitale segment "2" weergeven.

12.25 Digitale segment-LED die "8" weergeeft

Bedradingsvolgorde

4-17, 18-7, 8-36, 3-35-37-38-39-40-42-43

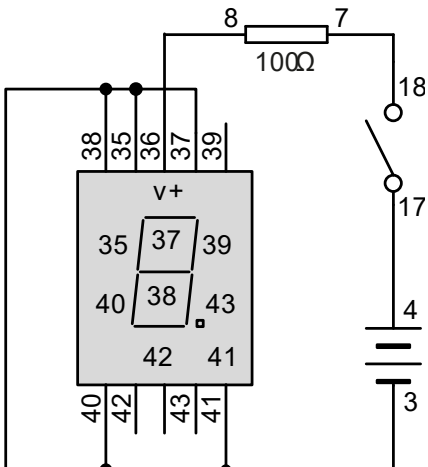


Voltooi alle bedradingsaansluitingen zoals aangegeven in de volgorde. Bij het inschakelen van ON zal de LED van het digitale segment "8" weergeven.

12.26 Digitale segment-LED die "F" weergeeft.

Bedradingsvolgorde

4-17, 18-7, 8-36, 3-35-37-38-40-41

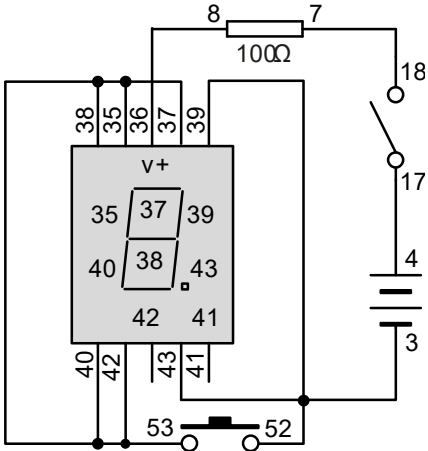


Voltooi alle bedradingsaansluitingen zoals aangegeven in de volgorde. Bij het inschakelen van ON zal de LED van het digitale segment "F." weergeven.

12.27 Digitale segment-LED schakelen tussen "1" en "8"

Bedradingsvolgorde

4-17, 18-7, 8-36, 3-39-43-52, 53-35-37-38-40-42

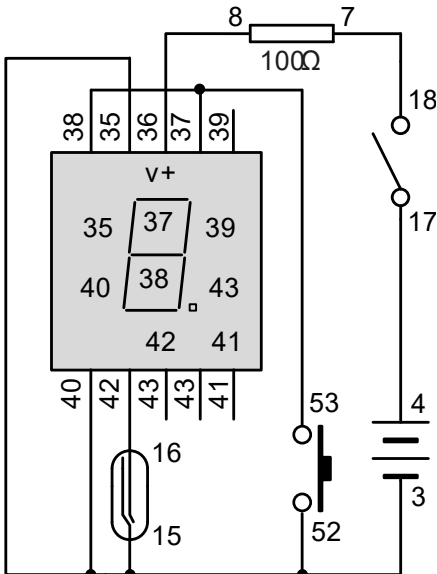


Voltooi alle bedradingsaansluitingen zoals aangegeven in de volgorde. Zet de hoofdschakelaar aan. De LED van het digitale segment geeft "1" weer. Door op de drukschakelaar te drukken, geeft de LED van het digitale segment "8" weer.

12.28 Digitale segment-LED schakelen tussen "I", "L" , "F" en "E"

Bedradingsvolgorde

4-17, 18-7, 8-36, 35-40-15-3-52, 53-37-38, 42-16

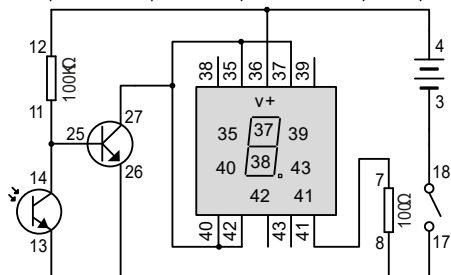


Voltooi alle bedradingsaansluitingen zoals aangegeven in de volgorde. Zet de hoofdschakelaar aan. De LED van het digitale segment geeft "I" weer. Als je de reed-schakelaar met de magnetische pool opent, geeft de LED van het digitale segment "L" weer; of als je de drukschakelaar indrukt, geeft de LED van het digitale segment "F" weer. En als je beide schakelaars tegelijkertijd activeert, wordt er "E" weergegeven.

12.29 Lichtregeling zeven-segment LED-display - C (Donker type)

Bedradingsvolgorde

3-18, 11-25-14, 4-36-12, 13-17-26-8, 7-41, 27-35-37-40-42

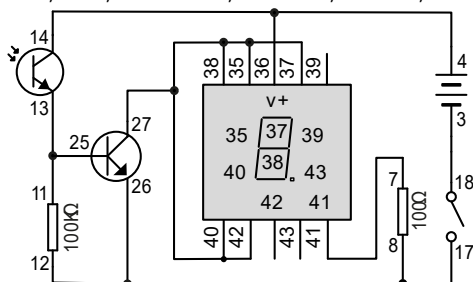


Voltooi alle bedradingsaansluitingen zoals aangegeven in de volgorde. Zet de hoofdschakelaar aan. Als er voldoende licht in de kamer is, gaat alleen de voedingsindicator op het display branden. Dek de lichtsensor af en het display toont letter C. Als je de lichtsensor afdekt, verdwijnt de letter C..

12.30 Lichtregeling zeven-segment LED-display - E (Lichttype)

Bedradingsvolgorde

3-18, 41-7, 17-26-12-8, 11-13-25, 4-36-14, 27-35-38-37-40-42

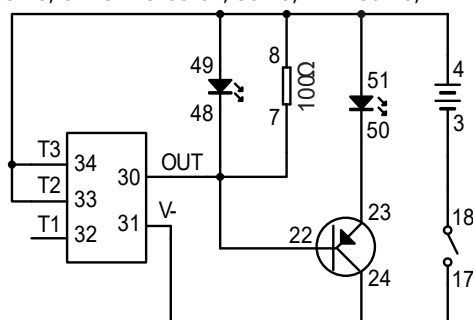


Voltooi alle bedradingsaansluitingen zoals aangegeven in de volgorde. Zet de hoofdschakelaar aan. Vervolgens gaat de voedingsindicator branden en verschijnt de letter E op het display. Als je de lichtsensor afdekt, gaat alleen het voedingslampje branden op het display. Als je de lichtsensor afdekt, gaat letter E weer branden.

12.31 Knipperende LED's

Bedradingsvolgorde

3-18, 8-4-51-49-33-34, 50-23, 7-22-30-48, 17-24-31

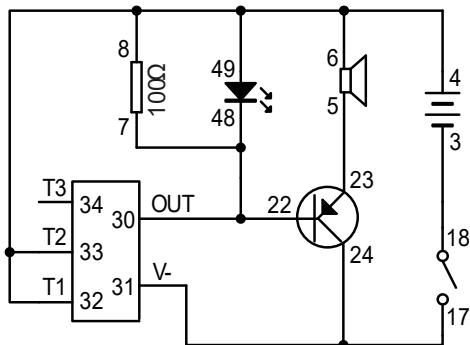


Voltooi alle bedradingsaansluitingen zoals aangegeven in de volgorde. Zet de hoofdschakelaar aan. Vervolgens gaan de LED's knipperen.

12.32 Hondengeblaf met knipperende LED

Bedradingsvolgorde

3-18, 4-6-8-32-33-49, 5-23, 7-22-30-48, 17-24-31

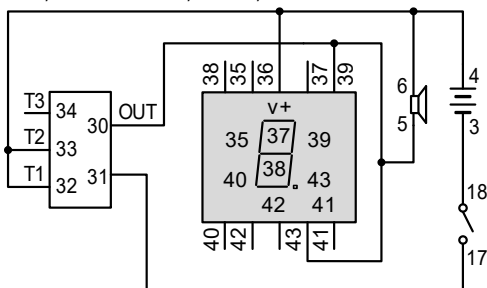


Voltooi alle bedradingsaansluitingen zoals aangegeven in de volgorde. Zet de hoofdschakelaar aan. De luidspreker produceert een blaffend hondengeluid en de LED knippert op het ritme ervan.

12.33 Hondengeblaf en knipperend cijfer "1".

Bedradingsvolgorde

3-18, 4-6-36-32-33, 17-31, 30-39-43-5

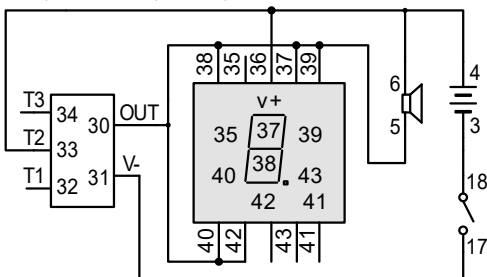


Voltooi alle bedrading zoals aangegeven in de volgorde. Als u de luidspreker inschakelt, produceert deze een blaffend hondengeluid. Op het scherm verschijnt ook het cijfer "1" en het knippert op het ritme ervan.

12.34 Kraaiend haangeluid en knipperend cijfer "2"

Bedradingsvolgorde

3-18, 4-6-36-33, 17-31, 5-30-37-38-39-40-42

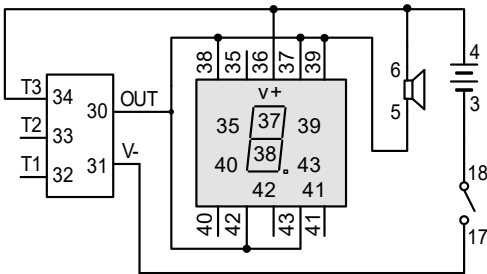


Voltooi alle bedrading zoals aangegeven in de volgorde. Als u de luidspreker inschakelt, produceert hij een kraaiend haangeluid. Op het scherm verschijnt ook het cijfer "2" en het knippert op het ritme ervan.

12.35 Kattenmiauwend geluid en knipperend cijfer "3"

Bedradingsvolgorde

3-18, 4-6-36-34, 17-31, 30-37-39-38-42-43-5

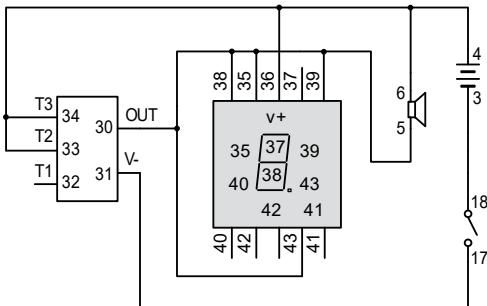


Voltooi alle bedrading zoals aangegeven in de volgorde. Als u de luidspreker inschakelt, produceert hij een miauwend kattengeluid. Op het scherm verschijnt ook het cijfer "3" en knippert op het ritme ervan.

12.36 Paardengehinnik en knipperend cijfer "4"

Bedradingsvolgorde

3-18, 4-36-33-34-6, 17-31, 30-35-38-39-43-5

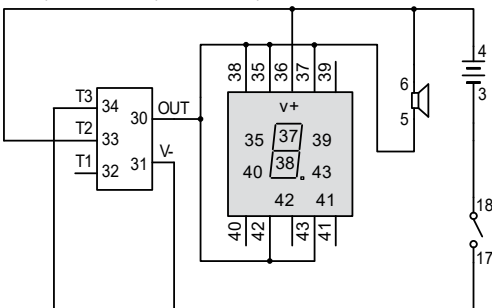


Voltooi alle bedrading zoals aangegeven in de volgorde. Als de luidspreker wordt ingeschakeld, produceert hij een hinnikend paardengeluid. Op het scherm verschijnt ook het cijfer "4" en het knippert op het ritme ervan.

12.37 Vogelgeluid en knipperend cijfer "5".

Bedradingsvolgorde

3-18, 4-6-36-33, 17-31-34, 5-30-35-37-38-42-43

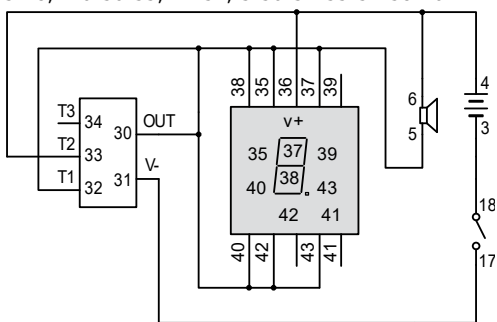


Voltooi alle aansluitingen zoals aangegeven in de volgorde. Als u de luidspreker inschakelt, zal deze een vogelgeluid produceren. Op het scherm verschijnt ook het cijfer "5" en het knippert op het ritme ervan.

12.38 Eendenkwaakgeluid en knipperend cijfer "6"

Bedradingsvolgorde

3-18, 4-6-36-33, 17-31, 5-30-32-35-37-38-40-42-43

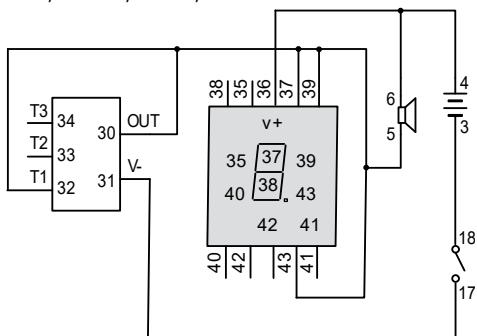


Voltooi alle bedrading zoals aangegeven in de volgorde. Als u de luidspreker inschakelt, produceert deze een eendenkwaakgeluid. Op het scherm verschijnt ook het cijfer "6" en het knippert op het ritme ervan.

12.39 Schapengejank en knipperend cijfer "7"

Bedradingsvolgorde

3-18, 4-6-36, 17-31, 5-30-32-37-39-43

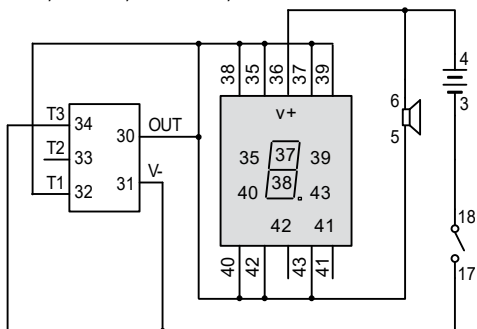


Voltooi alle bedrading zoals aangegeven in de volgorde. Als u de luidspreker inschakelt, zal deze een schapachtig geluid produceren. Op het scherm verschijnt ook het cijfer "7" en het knippert op het ritme ervan.

12.40 Koekoeksroepgeluid en knipperend cijfer "8"

Bedradingsvolgorde

3-18, 4-6-36, 17-31-34, 5-30-32-35-37-38-39-40-42-43

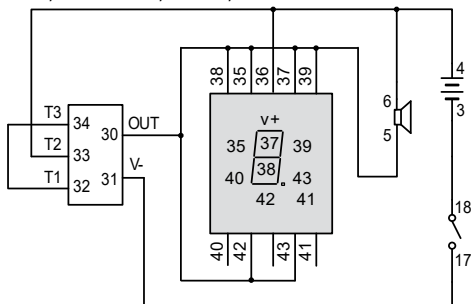


Voltooi alle bedrading zoals aangegeven in de volgorde. Als u de luidspreker inschakelt, zal deze een koekoeksroep produceren. Het display geeft ook het cijfer "8" weer en knippert op het ritme ervan.

12.41 Kikkerkwaakgeluid en knipperend cijfer "9"

Bedradingsvolgorde

3-18, 4-6-36-33, 32-34, 5-30-35-37-38-39-42-43, 17-31

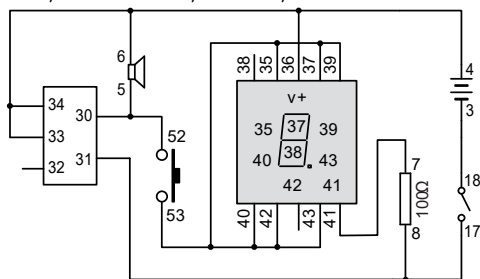


Voltooi alle bedrading zoals aangegeven in de volgorde. Als u de luidspreker inschakelt, zal deze een kikkerkwaakgeluid produceren. Op het scherm verschijnt ook het cijfer "9" en het knippert op het ritme ervan.

12.42 Handmatige bediening hinnikend paard met drukschakelaar controle knipperend cijfer "0".

Bedradingsvolgorde

3-18, 4-6-36-34-33, 5-30-52, 53-40-42-43-35-37-39, 41-7, 8-31-17

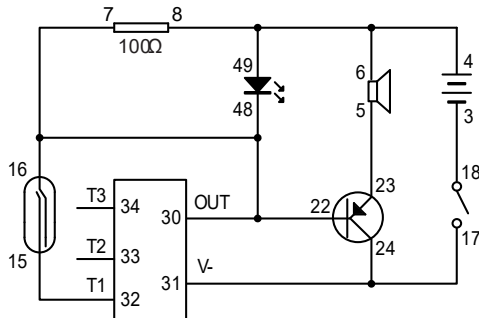


Voltooi alle bedrading zoals aangegeven in de volgorde. Als u de luidspreker inschakelt, produceert deze een hinnikend paardengeluid en licht de punt in de rechterbenedenhoek van het scherm op. Als u vervolgens op de drukschakelaar drukt zonder deze los te laten, licht het cijfer 0 op en knippert op het ritme van het paardengehinnik.

12.43 Magneetbesturing schaaп baaing geluid met knipperende LED

Bedradingsvolgorde

3-18, 17-24-31, 32-15, 16-7-30-22-48, 49-8-6-4, 5-23

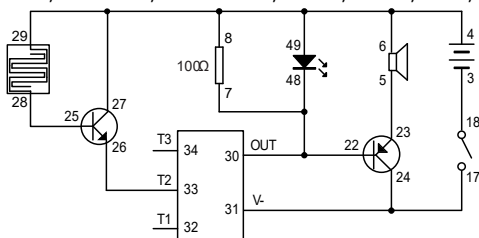


Voltooi alle bedradingsaansluitingen zoals aangegeven in de volgorde. Schakel de hoofdschakelaar in. Open de reed-schakelaar met de magnetische pool. De luidspreker produceert een schaaпgeluid en de LED knippert op het ritme van het schaaпgeluid.

12.44 Kraaiende haan met aanraakbediening en knipperende LED

Bedradingsvolgorde

3-18, 17-24-31, 30-7-22-48, 33-26, 28-25, 23-5, 29-27-8-49-6-4

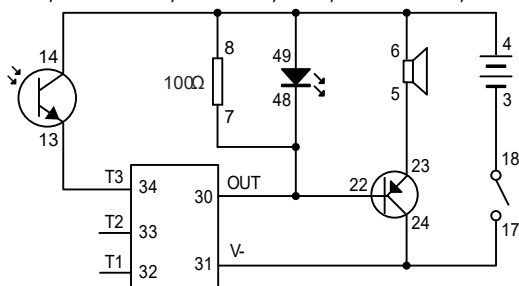


Voltooi alle bedradingsaansluitingen zoals aangegeven in de volgorde. Zet de hoofdschakelaar aan. Raak met uw vinger de aanraakplaat aan. De luidspreker zal een haangekraai produceren en de LED zal knipperen op het ritme ervan. Let op: als er geen reactie is, moet u mogelijk uw vinger dempen en het opnieuw proberen.

12.45 Lichtregelend kattenmiauwgeluid met knipperende LED

Bedradingsvolgorde

5-23, 22-48-7-30, 31-24-17, 18-3, 4-6-8-49-14, 13-34



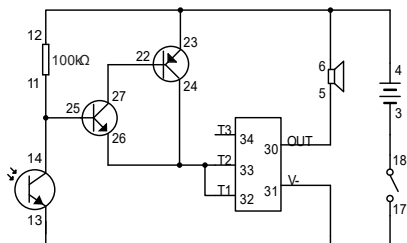
Voltooi alle bedradingsaansluitingen zoals aangegeven in de volgorde. Zet de hoofdschakelaar aan.

Wanneer er licht op de lichtsensor schijnt, zal de luidspreker een kattenmiauwgeluid produceren en zal de LED knipperen op het ritme ervan.

12.46 Door duisternis geactiveerd hondengeblaf

Bedradingsvolgorde

3-18, 4-6-23-12, 5-30, 17-31-13, 24-26-33-32, 22-27, 11-14-25

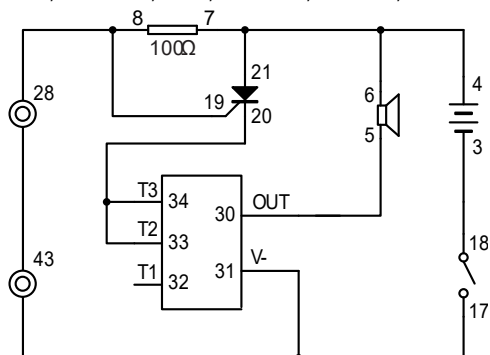


Voltooi alle bedradingsverbindingen zoals aangegeven in de volgorde. Zet de hoofdschakelaar aan en bedek de lichtsensor volledig. Dan hoor je hondengeblaf uit de luidspreker komen. Als u de lichtsensor weer verwijdert, stopt het geblaf van de hond.

12.47 Beveiligingsalarm gebaseerd op loskoppeling van bedrading

Bedradingsvolgorde

3-18, 17-43-31, 30-5, 4-6-21-7, 8-28-19, 20-33-34, 28-43

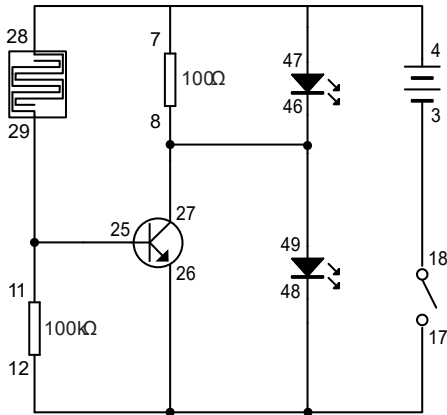


Voltooi alle bedradingsaansluitingen zoals aangegeven in de volgorde. Zet de hoofdschakelaar aan. Er gebeurt niets. Als je vervolgens de draad losmaakt die veer 28 met veer 43 verbindt, produceert de luidspreker een hinnikend paardengeluid! Deze schakeling kan worden gebruikt als alarmsysteem. Als er bijvoorbeeld iemand op het alarmsnoer valt, zal het paardengehinnik je waarschuwen voor een indringer!

12.48 Waterniveau LED alarm

Bedradingsvolgorde

3-18, 4-7-28-47, 17-48-12-26, 8-27-49-46, 11-29-25



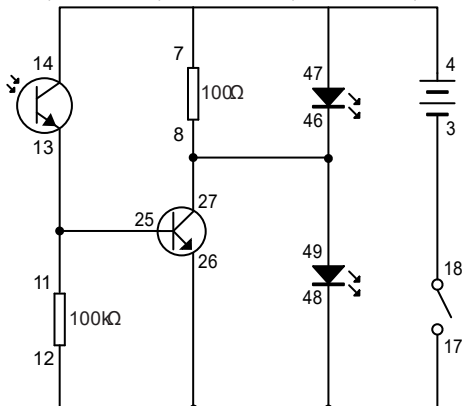
Voltooi alle bedradingsaansluitingen zoals aangegeven in de volgorde. Zet de hoofdschakelaar aan. Laat een druppel water op de aanraakplaat vallen. Vervolgens gaat de meerkleurige LED branden en dooft de blauwe LED. Veeg het water van de aanraakplaat. Vervolgens gaat de blauwe LED branden en dooft de meerkleurige LED.

Dit principe kan worden gebruikt voor waterpeilwaarschuwing. Plaats een soortgelijk circuit op de plaats waar het waterpeil moet worden bewaakt. Als het waterniveau boven het waarschuwingsniveau komt, gaat de meerkleurige LED branden en dooft de blauwe LED. Als het waterniveau onder het waarschuwingsniveau komt, dooft de meerkleurige LED en gaat de blauwe LED branden.

12.49 Lichtintensiteitsindicator

Bedradingsvolgorde

3-18, 4-7-14-47, 17-12-26-48, 8-27-46-49, 11-13-25

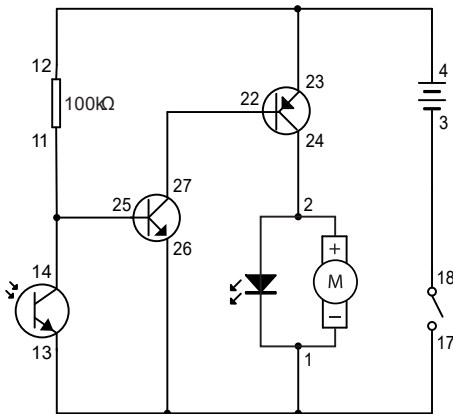


Voltooi alle bedradingsaansluitingen zoals aangegeven in de volgorde. Zet de hoofdschakelaar aan. Als er licht op de lichtsensor schijnt, gaat de meerkleurige LED branden, maar de blauwe LED niet. Dek de lichtsensor volledig af. Omdat er geen licht op schijnt, dooft de meerkleuren-LED en gaat de blauwe LED branden. Als er niets op de lichtsensor valt, gaat de meerkleuren-LED branden en dooft de blauwe LED weer. Dit kan worden gebruikt als lichtintensiteitsindicator.

12.50 Door duisternis geactiveerd draaiend LED-licht

Bedradingsvolgorde

3-18, 4-23-12, 26-17-1-13, 24-2, 22-27, 11-14-25

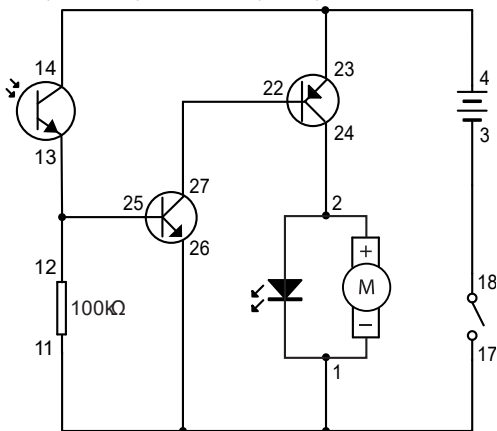


Voltooi alle bedradingsaansluitingen zoals aangegeven in de volgorde. Zet de hoofdschakelaar aan. Dek de lichtsensor af en het draaiende lampje gaat branden. Maak de lichtsensor los en het draaiende lampje gaat uit.

12.51 Lichtregeling draaiend LED-licht

Bedradingsvolgorde

3-18, 4-23-14, 26-17-1-11, 24-2, 22-27 12-13-25



Voltooi alle bedradingsaansluitingen zoals aangegeven in de volgorde. Zet de hoofdschakelaar aan en de draaiende LED brandt. Als de lichtsensor bedekt is, zal de draaiende LED uit zijn. Licht is de schakelaar van de draaiende LED in dit circuit.

© COPYRIGHTVERMELDING

Het auteursrecht van deze handleiding is eigendom van Velleman nv. Alle wereldwijde rechten voorbehouden. Niets uit deze handleiding mag worden gekopieerd, gereproduceerd, vertaald of herleid tot elektronische media of anderszins zonder voorafgaande schriftelijke toestemming van de houder van het auteursrecht.

MODE D'EMPLOI

1. Introduction

A tous les résidents de l'Union européenne

Informations environnementales importantes concernant ce produit



Ce symbole sur l'appareil ou l'emballage indique que l'élimination de l'appareil après son cycle de vie pourrait nuire à l'environnement. Ne jetez pas l'appareil (ou les piles) avec les déchets municipaux non triés ; il doit être confié à une entreprise spécialisée pour être recyclé. Cet appareil doit être retourné à votre distributeur ou à un service de recyclage local. Respectez les règles environnementales locales.

En cas de doute, contactez les autorités locales chargées de l'élimination des déchets.

Merci d'avoir choisi Velleman ! Veuillez lire attentivement le manuel avant de mettre cet appareil en service. Si l'appareil a été endommagé pendant le transport, ne l'installez pas, ne l'utilisez pas et contactez votre revendeur.

2. Consignes de sécurité



Lisez et comprenez ce manuel et tous les signes de sécurité avant d'utiliser cet appareil.



Risque d'étouffement en raison des petites pièces. Ne convient pas aux enfants de moins de 3 ans.

8+

Âge recommandé : +.

- Ce produit est destiné à être utilisé à des fins éducatives dans les écoles et autres contenus pédagogiques sous la surveillance d'un instructeur adulte, tels que les équipements scientifiques.
- Protéger de la pluie, de l'humidité, des éclaboussures et des gouttes de liquides, des chocs et des abus, de la chaleur extrême et de la poussière.

3. Avertissement

La supervision et l'assistance d'un adulte sont nécessaires.

Cet appareil ne doit être utilisé que par des enfants âgés de 8 ans et plus.

Ne convient pas aux enfants de moins de 3 ans en raison des petites pièces et des composants - RISQUE D'ÉTOUFFEMENT PAR INGESTION.

Lisez et suivez toutes les instructions du manuel avant d'utiliser l'appareil.

Ce jouet contient de petites pièces et des éléments fonctionnels pointus. Tenir hors de portée des enfants de moins de 3 ans.

2 piles AA sont nécessaires (non incluses).

Veuillez conserver les informations et le présent manuel pour référence ultérieure.

Des instructions pour les parents sont incluses et doivent être respectées.

Ne pas utiliser près de l'oreille ! Une mauvaise utilisation peut endommager l'ouïe.

4. Attention

Avant de procéder à une expérience, vérifiez que toutes les connexions électriques sont correctes avant d'insérer les piles et d'allumer l'appareil, sous peine d'endommager les composants ou la carte de circuit imprimé de l'appareil.

Lorsque l'expérience est terminée, assurez-vous que les piles sont déconnectées et éteignez l'appareil avant d'enlever les fils.

Ne pas appliquer à l'expérience d'autres composants ou pièces que ceux fournis dans ce kit.

Le jouet ne doit pas être connecté à un nombre de sources d'alimentation supérieur à celui recommandé. Les cheveux peuvent s'emmêler si la tête de l'enfant est trop proche de l'unité motorisée de ce jouet. Ce jouet contient des pointes acérées fonctionnelles sur les fils et les câbles des composants, qui doivent être manipulés avec précaution.

5. Lignes directrices générales

- Reportez-vous à la garantie de service et de qualité Velleman® qui figure aux dernières pages de ce manuel.
- Toute modification de l'appareil est interdite pour des raisons de sécurité. Les dommages causés par des modifications de l'appareil par l'utilisateur ne sont pas couverts par la garantie.
- N'utilisez l'appareil que pour l'usage auquel il est destiné. L'utilisation non autorisée de l'appareil annule la garantie.
- Les dommages causés par le non-respect de certaines directives de ce manuel ne sont pas couverts par la garantie et le revendeur n'acceptera aucune responsabilité pour les défauts ou problèmes qui pourraient en résulter.
- Ni Velleman group nv ni ses revendeurs ne peuvent être tenus responsables de tout dommage (extraordinaire, accidentel ou indirect) - de quelque nature que ce soit (financière, physique...) résultant de la possession, de l'utilisation ou de la défaillance de ce produit.
- Conservez ce manuel pour toute référence ultérieure.

6. Description du produit

Nous avons le plaisir de vous inviter à essayer ce kit de circuits électroniques prêt à l'emploi, adapté aux enfants de 8 ans et plus. "Vous serez étonné de découvrir ce que vous pouvez apprendre car l'expérience est un concept réaliste de l'électronique et de l'électricité. Elle vous permettra sans aucun doute d'apprendre les composants, circuits et théories électroniques nécessaires ainsi que les principes électroniques de base - électricité, tension, courant, résistance, magnétisme, autres circuits et théories électriques.

Il n'y a pas de problème si vous n'avez aucune connaissance en électronique et que vous ne comprenez pas entièrement le fonctionnement de toutes les expériences. Une fois que vous aurez commencé, vous pourrez développer votre compréhension en expérimentant et peut-être en essayant quelques expériences intéressantes par vous-même.

Ce kit de circuits électroniques contient plus de 50 expériences, et il est intelligemment conçu pour que la carte de circuit principal contienne tous les composants électroniques nécessaires. Tout ce que vous avez à faire est de connecter les fils selon la séquence de câblage de chaque expérience et de suivre les étapes une par une. Une fois connecté, le circuit s'activera et fonctionnera.

N'oubliez pas qu'il ne s'agit pas d'une expérience unique. Plus vous passerez de temps à construire des expériences, plus vous acquerrez de connaissances. Vous ne vous ennuierez jamais, mais vous serez totalement engagé, car vous découvrirez de nouvelles expériences passionnantes pendant plusieurs années.

EXPÉRIMENTATIONS

1. Circuit LED simple
2. lumière LED tournante
3. Fonction de l'interrupteur Reed
4. démonstration de la résistance et du courant
5. résistances en série
6. résistances en connexion parallèle
7. Fonction de la plaque tactile
8. démonstration simple d'une fonction du transistor PNP
9. démonstration simple d'une fonction du transistor NPN
10. deux DEL en connexion parallèle
11. 3 LED en connexion parallèle
12. LED et LED tournante avec un seul interrupteur
13. LED et LED tournante avec interrupteurs séparés

14. fonctionnement du circuit de base de la LED
15. lumière LED tournante dans le circuit d'avance fonctionnement des LED
16. LED combinaison
17. Fonction d'une diode
18. une démonstration simple du capteur de lumière
19. un exemple pratique : LED déclenchée par la lumière
20. un exemple pratique : LED déclenchée par l'obscurité
21. Démonstration d'une fonction simple du SCR
22. un exemple pratique de SCR
23. segment numérique LED affichant "1" -
24. segment numérique LED affichant "2" -
25. segment numérique LED affichant "8" -
26. segment numérique LED affichant "F".
27. segment numérique LED commutation entre "1" et "8"
28. segment numérique LED commutation entre "I", "L", "F" et "E" -
29. Commande de l'éclairage Affichage LED à sept segments - C (type foncé)
30. Commande des feux, affichage LED à sept segments - E (type de feu)
31. LED clignotantes
32. aboiement de chien avec LED clignotante
33. aboiement d'un chien et clignotement du chiffre "1".
34. chant du coq et clignotement du chiffre 2 -
35. le chat émet un miaulement et le chiffre "3" clignote
36. hennissement de cheval et chiffre "4" clignotant
37. gazouillement d'oiseau et clignotement du chiffre "5".
38. son de canard et chiffre "6" clignotant
39. mouton son baaiing et chiffre "7" clignotant
40. son du coucou et clignotement du chiffre "8".
41. coassement de grenouille et clignotement du chiffre "9".
42. Commande manuelle du hennissement du cheval avec interrupteur de commande clignotant chiffre "0".
43. contrôle magnétique du son du mouton avec LED clignotante
44. Contrôle tactile du chant du coq avec LED clignotante
45. contrôle lumineux du chat qui miaule avec LED clignotante
46. L'obscurité activée par l'aboiement d'un chien
47. Alarme de sécurité basée sur la déconnexion du câblage
48. Alarme LED de niveau d'eau
49. indicateur d'intensité lumineuse
50. Lumière LED tournante activée par l'obscurité
51. contrôle de la lumière LED tournante

7. Glossaire

Amplificateur - Circuit électronique qui amplifie le signal qui lui est envoyé. Le composant amplificateur peut être un transistor, un tube à vide ou un dispositif magnétique approprié.

Batterie - Source d'énergie. Elle contient des produits chimiques qui subissent une réaction chimique pour produire de l'électricité lorsqu'un circuit est connecté.

Capacité - Mesure de la capacité d'un condensateur à stocker une charge électrique.

Condensateur - Dispositif composé de deux conducteurs séparés par un isolant. Il est conçu pour stocker des charges électriques ou pour servir de filtre dans un circuit.

IC (Integrated Circuit) - Petit dispositif électronique fabriqué à partir de matériaux semi-conducteurs et utilisé pour une variété de dispositifs, y compris les microprocesseurs, l'équipement électronique et les automobiles.

Capteur de lumière - Il existe différents types de capteurs de lumière. Celui utilisé ici est un phototransistor. Lorsque la lumière tombe dessus, il est comme un interrupteur connecté et le courant peut alors passer à travers lui.

Diode - Dispositif utilisé dans les circuits électriques pour permettre à un courant électrique de circuler dans un sens et le bloquer dans le sens inverse.

Microphone - Appareil qui convertit le son en un signal électrique.

Moteur - Dispositif qui convertit l'énergie électrique en mouvement mécanique.

DEL (diode électroluminescente) - Une diode émet de la lumière lorsqu'elle est traversée par un courant.

Résistance - Mesure du degré d'opposition d'un objet à un courant électrique qui le traverse.

Résistance - Dispositif conçu pour offrir une résistance.

Haut-parleur - Appareil qui transforme les signaux électriques en sons.

Interrupteur - Dispositif permettant d'ouvrir et de fermer la source d'alimentation d'un circuit.

Transistor - Dispositif semi-conducteur qui amplifie un signal et ouvre ou ferme un circuit.

Table de vérité - Il s'agit d'une table mathématique utilisée pour calculer logiquement les valeurs d'une explication logique et comme procédure de décision.

Résistance variable - Un type de résistance et un dispositif de résistance réglable dans le circuit électronique/électrique.

Fil - Un conducteur qui conduit l'électricité. Connecter un fil revient à créer un chemin qui permet à l'électricité de circuler.

Interrupteur à lames : Il s'agit d'un interrupteur magnétique qui contient des anches métalliques à l'intérieur. Lorsqu'un aimant est proche de l'interrupteur, la force d'attraction fait se rapprocher les peignes. Elles entrent alors en contact et le chemin est connecté.

Plaque tactile : Il s'agit d'une plaque comportant deux parties de surfaces conductrices. Les deux surfaces ne sont pas reliées mais il y a un petit espace entre elles. L'électricité ne peut pas circuler à cause de ce petit espace. Lorsqu'elle est touchée par un doigt ou une goutte d'eau, le petit espace est comblé et l'électricité peut y circuler (bien que la résistance soit assez importante en raison de la résistance de l'eau).

Buzzer : Un dispositif qui peut produire un son simple

SCR : Un redresseur contrôlé au silicium, ou SCR, est comme un agent de circulation pour l'électricité dans les appareils électroniques. Il permet au flux d'électricité de circuler dans une seule direction, agissant comme une porte qui s'ouvre et se ferme. Il s'agit d'un type particulier d'interrupteur qui permet de contrôler l'énergie et de s'assurer que tout fonctionne correctement.

8. Informations sur la batterie

Utiliser 2 piles AA de 1,5 V (non incluses).

Pour des performances optimales, utilisez toujours des piles neuves et retirez-les lorsqu'elles ne sont pas utilisées.

Les piles doivent être insérées en respectant la polarité.

Les piles non rechargeables ne doivent pas être rechargées.

Les piles rechargeables ne doivent être chargées que sous la surveillance d'un adulte.

Les piles rechargeables doivent être retirées du jouet avant d'être chargées.

Les différents types de piles ou les piles neuves et usagées ne doivent pas être mélangés.

Les piles épuisées doivent être retirées du jouet.

Les bornes d'alimentation ne doivent pas être court-circuitées.

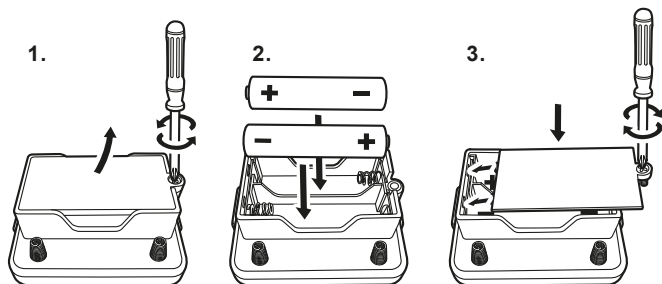
Seules des piles de même type ou de type équivalent doivent être utilisées.

Ne pas jeter les piles au feu.

Ne pas mélanger des piles usagées et des piles neuves.

Ne pas mélanger les piles alcalines, les piles carbone-zinc et les piles rechargeables.

Pour insérer les piles, dévissez le couvercle du compartiment à l'aide d'un tournevis. Insérez les piles nécessaires en respectant la polarité des piles, avec les extrémités + et - dans la bonne position, puis revissez le couvercle du compartiment à piles pour le fermer.



9. Séquence de câblage et connexion

Veillez à ce que tous les fils soient correctement connectés aux bornes à ressort numérotées de la carte de circuit imprimé principale, conformément à la séquence de câblage indiquée pour chaque expérience. Pliez la borne à ressort et insérez la partie brillante exposée du fil dans la borne à ressort. Assurez-vous que le fil est bien connecté à la borne à ressort.

Par exemple, si la séquence de câblage est 4-33, 1-10-32-35, 2-12, connectez un fil entre la borne du ressort 4 et 33, puis connectez un fil entre la borne du ressort 1 et 10, puis un fil entre la borne du ressort 10 et 32, puis un fil entre la borne du ressort 32 et 35, et enfin connectez un fil entre la borne du ressort 2 et 12. Il s'agit d'un exemple à titre de référence uniquement, et non d'une connexion de circuit exacte dans l'expérience.

Si le circuit ne fonctionne pas, vous pouvez vérifier la connexion du fil et de la borne à ressort, si elle n'est pas bien connectée ou si la partie en plastique isolée d'un fil est insérée dans la borne à ressort.

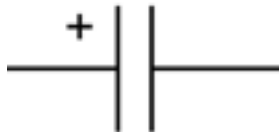
10. Caractéristiques des composants

Dans ce kit d'expérimentation, vous apprendrez la théorie des circuits de base, les caractéristiques du condensateur, du circuit intégré, de la DEL (diode électroluminescente), du capteur de lumière, de la résistance et du transistor. Vous apprendrez que lorsque le transistor et le condensateur fonctionnent ensemble, divers effets lumineux et sonores peuvent être produits dans différentes connexions de circuit.

Le condensateur est un dispositif composé de deux conducteurs séparés par un isolant. Il est conçu pour stocker des charges électriques ou pour servir de filtre dans un circuit. C'est un composant couramment utilisé dans les circuits électroniques et électriques comme dispositif de stockage de l'énergie ou comme dispositif de filtrage pour éliminer les signaux électroniques bruyants ou de fréquence inutile. Il existe différents types de condensateurs conçus pour différentes applications électroniques/électriques.



Condensateur électrolytique



Symbole du circuit

Le circuit intégré (CI) est un petit dispositif électronique composé de semi-conducteurs et utilisé pour une variété de dispositifs, y compris les microprocesseurs, l'équipement électronique et les automobiles. Les circuits intégrés sont constitués d'un grand nombre de transistors dans une "puce" (silicium). Il s'agit désormais d'un composant essentiel et couramment utilisé dans une grande variété d'applications, des jouets aux produits ménagers en passant par les équipements de pointe.



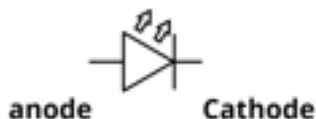
Circuit intégré

La DEL (diode électroluminescente) est une diode qui émet de la lumière lorsqu'elle est traversée par un courant électrique. Les LED ont différentes couleurs de lumière qui dépendent du type de matériaux semi-conducteurs utilisés. Il s'agit d'un dispositif couramment utilisé dans les appareils d'éclairage des ménages et des véhicules.

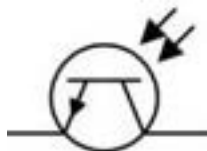


LED (diode électroluminescente)

Symbole du circuit



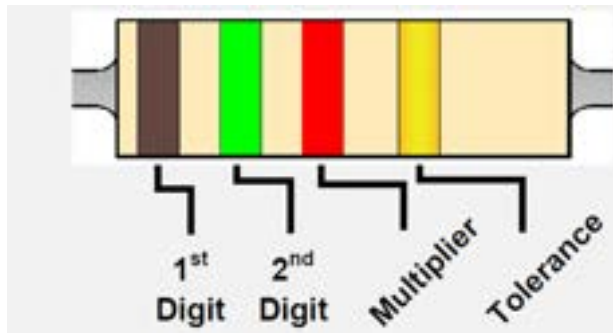
Le capteur de lumière est un dispositif qui réagit à la lumière. Il existe différents types de capteurs de lumière. Celui utilisé ici est un phototransistor. Lorsqu'il n'y a pas de lumière, le courant électrique ne peut pas passer à travers lui. Il est donc comme un interrupteur que l'on éteint. Lorsqu'il reçoit de la lumière, le courant électrique peut le traverser. Il est alors comme un interrupteur qui s'allume. C'est ainsi que l'on peut réaliser un circuit de contrôle de la lumière.



Symbole du circuit

La résistance utilise des anneaux de couleurs différentes pour représenter la valeur (résistance). Les 1er et 2ème anneaux représentent le chiffre. Le troisième anneau représente le multiplicateur comme indiqué dans le tableau. Le quatrième anneau représente la tolérance, c'est-à-dire la précision de la résistance. Exemple : Les anneaux de couleur sont Brun, Rouge, Brun et Or, ce qui représente une résistance de 120 ohms, avec une tolérance de 5 % (Ω).

Code d'identification des couleurs

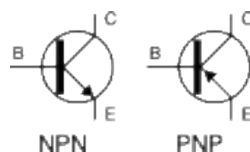


Couleur	1er	2ème	3 rd - multiplicateur	Tolérance
Noir	0	0	x 1	
Marron	1	1	x 10	
Rouge	2	2	x 100	
Orange	3	3	x 1000	
Jaune	4	4	x 10000	
Vert	5	5	x 100000	
Bleu	6	6	x 1000000	
Pourpre	7	7		
Gris	8	8		
Blanc	9	9		
Marron				+/- 1%
Rouge				+/- 2%
L'or			x 0.1	+/- 5%
Argent			x 0.01	+/- 10%

Le **transistor** est un dispositif semi-conducteur utilisé pour amplifier un signal et pour l'ouvrir ou le fermer dans un circuit. Il existe deux types de transistors, à savoir le **NPN** et le **PNP**, dont le symbole de circuit est similaire. Le transistor est un dispositif fondamental couramment utilisé dans les équipements électroniques modernes. Il a la réponse la plus rapide et l'action la plus précise en tant qu'amplificateur et dispositif de commutation, et peut agir en tant que dispositif / composant individuel ou en tant que partie d'un circuit intégré (CI). Les circuits intégrés sont constitués de plus d'un millier ou d'un million de transistors.



Transistor



NPN

PNP

Symbole du

circuit

Si vous avez déjà lu les informations ci-dessus et que vous souhaitez en savoir plus sur la connaissance des circuits électriques et sur l'utilité de leurs composants, nous allons réaliser les expériences suivantes.

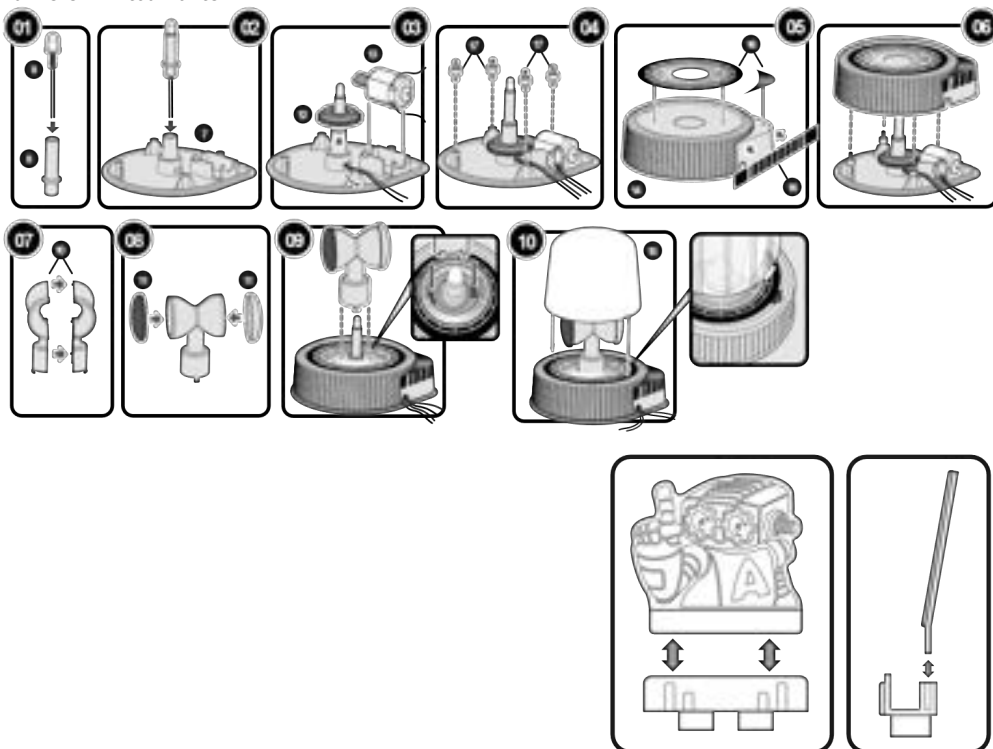
Le moteur est un dispositif qui produit un mouvement de rotation lorsqu'il est alimenté en électricité. Par analogie, la batterie est comme une pompe qui fait passer de l'eau dans les piles (fils). Lorsqu'un circuit est connecté, l'électricité peut y circuler. L'électricité qui circule est appelée courant. Un courant est un flux de charges électriques. L'intensité d'un courant est la quantité de charge électrique qui circule dans le fil en une seconde.

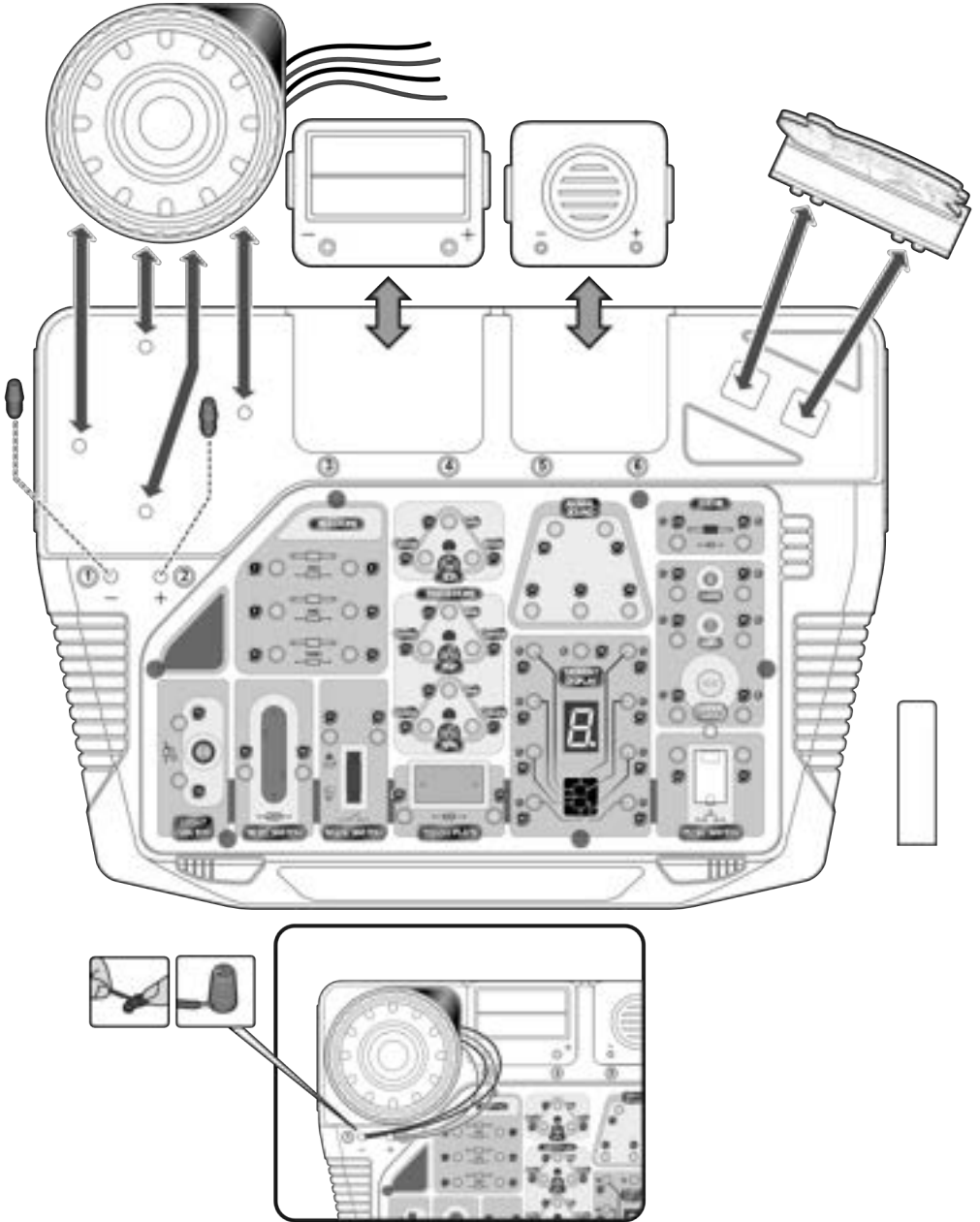
Un autre terme courant que l'on entend souvent à propos de l'électricité est la tension. La tension fait référence à l'énergie électrique par unité de charge. Il s'agit de l'énergie électrique de chaque unité de charge électrique transportée.



11. Assemblage

Lumière LED tournante :



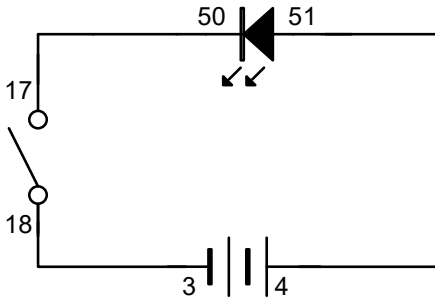


12. Expériences

12.1 Circuit LED simple

Séquence de câblage

4-51, 50-17, 18-3



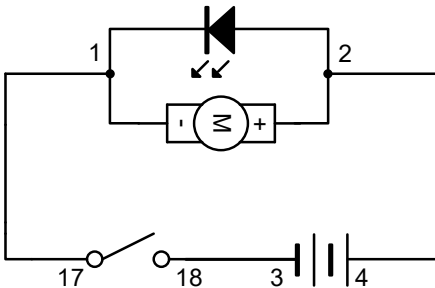
Effectuez toutes les connexions de câblage comme indiqué dans la séquence. En allumant l'appareil, la LED s'allume. En éteignant l'appareil, la LED s'éteint.

Vous pouvez vous-même changer de LED. Il suffit de regarder le schéma du circuit et de connecter une autre DEL de la même manière. Ne mélangez pas le pôle positif (+) et le pôle négatif (-). Sinon, la DEL ne s'allumera pas.

12.2 Lumière LED tournante

Séquence de câblage

4-2, 1-17, 18-3

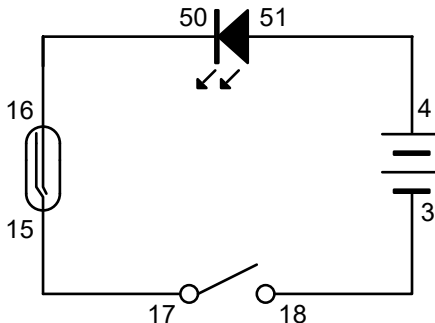


Effectuer toutes les connexions de câblage comme indiqué dans la séquence. Enclencher l'interrupteur principal. La LED de rotation s'allume et tourne !

12.3 Fonction de l'interrupteur à lames

Séquence de câblage

4-51, 50-16, 15-17, 18-3

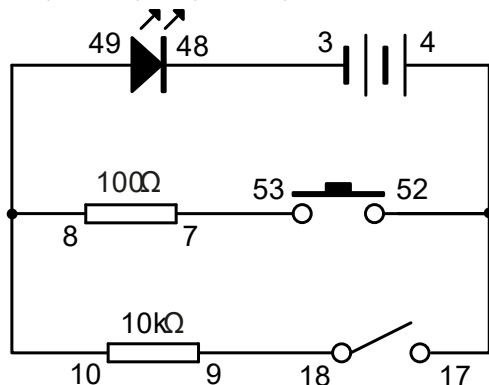


Effectuer toutes les connexions de câblage comme indiqué dans la séquence. Enclencher l'interrupteur principal. Accéder à l'interrupteur Reed à l'aide du pôle magnétique. Le voyant s'allume lorsque le circuit est connecté. Si vous éloignez le pôle magnétique, le circuit est déconnecté et la LED s'éteint.

12.4 Démonstration de la résistance et du courant

Séquence de câblage

48-3, 4-52-17, 18-9, 10-49-8, 7-53

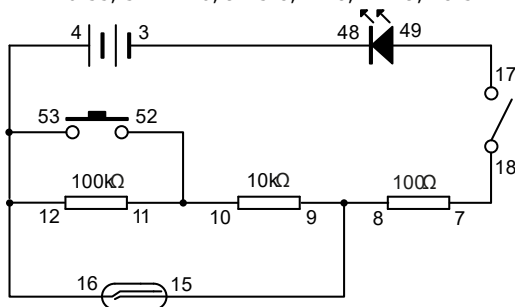


Effectuer toutes les connexions de câblage comme indiqué dans la séquence. Enclencher l'interrupteur principal. Le voyant s'allume faiblement. Coupez l'interrupteur principal pour l'éteindre. Appuyez maintenant sur l'interrupteur à poussoir. La LED s'allume plus intensément. Cela s'explique par le fait que le chemin de l'interrupteur principal comporte une résistance plus grande. Le courant qui passe par ce chemin est donc plus faible, et la DEL est donc moins lumineuse. En revanche, le chemin de l'interrupteur à poussoir a une résistance plus faible. Le courant traversant ce chemin sera donc plus important, et la LED sera plus lumineuse.

12.5 Résistances en série

Séquence de câblage

4-12-16-53, 52-11-10, 9-15-8, 7-18, 17-49, 48-3

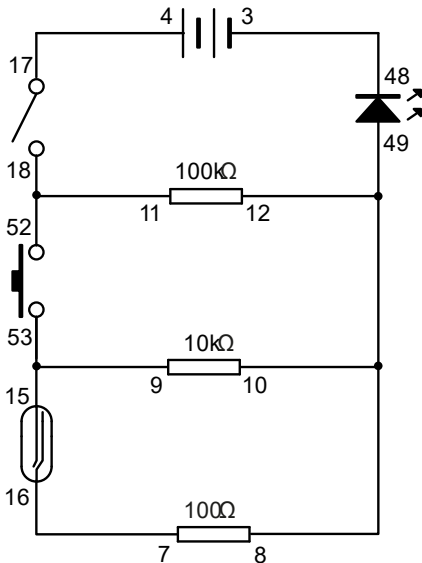


Effectuer toutes les connexions de câblage comme indiqué dans la séquence. Enclencher l'interrupteur principal. Le courant électrique provenant des batteries devra passer par 3 résistances, et par conséquent la LED s'allumera très faiblement, ou apparemment pas du tout. Appuyez sur l'interrupteur à poussoir. Cette fois-ci, le courant ne devra passer que par 2 résistances, et la LED s'allumera donc plus intensément qu'auparavant. Accédez à l'interrupteur Reed avec le pôle magnétique. Cette fois-ci, le courant ne devra traverser qu'une seule résistance, de sorte que la LED s'allumera encore plus intensément. Par analogie, une résistance est comme un obstacle. Moins il y a d'obstacles dans le circuit, plus le courant peut passer.

12.6 Résistances en connexion parallèle

Séquence de câblage

4-17, 18-11-52, 53-9-15, 16-7, 8-10-12-49, 48-3

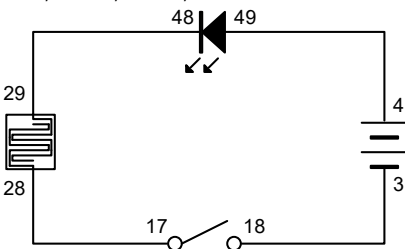


Effectuer toutes les connexions de câblage comme indiqué dans la séquence. Enclencher l'interrupteur principal. Le courant électrique provenant des batteries passe à travers la résistance de 100kΩ pour allumer la LED. La LED s'allume très faiblement, ou ne s'allume apparemment pas du tout. Appuyez sur l'interrupteur. Un autre chemin est maintenant disponible. Bien qu'il y ait une résistance de 10kΩ dans ce chemin, il s'agit toujours d'un chemin supplémentaire pour le courant. Par conséquent, plus de courant circulera dans la DEL et celle-ci s'allumera plus intensément ! Ne pas relâcher l'interrupteur à pousser. Accédez à l'interrupteur Reed avec le pôle magnétique. Il y a maintenant une voie supplémentaire disponible ! Il y a maintenant 3 chemins au total pour que le courant circule et que la LED s'allume ! Bien qu'il y ait cette fois 3 résistances dans le circuit, la DEL s'allume. Les résistances sont connectées en parallèle, ce qui donne un résultat différent.

12.7 Fonction de la plaque tactile

Séquence de câblage

4-49, 48-29, 28-17, 18-3

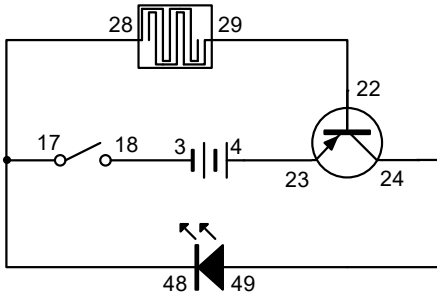


Effectuer toutes les connexions de câblage comme indiqué dans la séquence. Allumez l'interrupteur principal. Humidifiez votre doigt avec de l'eau et touchez la plaque tactile. La LED s'allume très faiblement. Cela indique que l'eau a une grande résistance et que seule une petite quantité de courant électrique peut passer. Si vous déposez une goutte d'eau salée sur la plaque tactile, la DEL s'allumera plus intensément ! En effet, l'eau salée est un meilleur conducteur que l'eau ordinaire, ce qui permet de faire passer une plus grande quantité de courant.

12.8 Démonstration simple d'une fonction du transistor PNP

Séquence de câblage

4-23, 24-49, 22-29, 28-48-17, 18-3

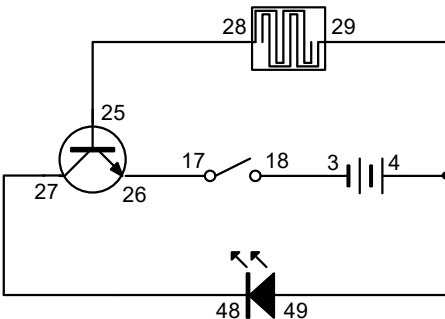


Effectuer toutes les connexions de câblage comme indiqué dans la séquence. Allumez l'interrupteur principal. Humidifiez votre doigt avec de l'eau et touchez la plaque tactile. Alors qu'une très faible quantité de courant électrique circule à travers la plaque tactile (comme le montre la dernière expérience), la DEL s'allume brillamment ! C'est parce que dans ce circuit, le transistor PNP est la véritable porte d'entrée de la DEL, et que la plaque tactile ne sert que d'interrupteur pour ouvrir la porte d'entrée ! Lorsque la partie supérieure du circuit n'est pas connectée, aucun courant ne circule entre l'"émetteur" et la "base" du transistor. La passerelle entre l'émetteur et le collecteur est donc fermée. Lorsque vous touchez la plaque tactile, le circuit supérieur est connecté ; une très petite quantité de courant passe de l'"émetteur" à la "base", et la porte de l'"émetteur" au "collecteur" s'ouvre alors ! Le courant électrique provenant de la pile peut alors circuler à travers le transistor jusqu'à la DEL, qui s'allume alors de manière très lumineuse !

12.9 Une démonstration simple de la fonction du transistor NPN

Séquence de câblage

28-25, 26-17, 18-3, 4-29-49, 48-27

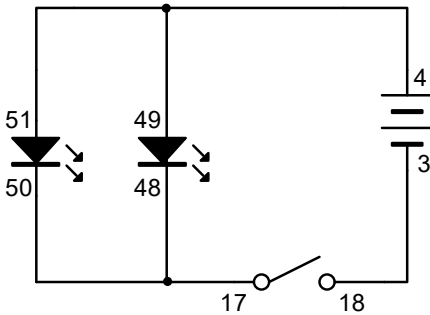


Effectuer toutes les connexions de câblage comme indiqué dans la séquence. Enclencher l'interrupteur principal. Touchez la plaque tactile. Alors qu'une très faible quantité de courant électrique traverse la plaque tactile (comme le montre la dernière expérience), la DEL s'allume brillamment ! C'est à peu près la même chose que pour le transistor PNP. Ce sont simplement les polarités du transistor qui sont inversées.

12.10 Deux LED en connexion parallèle

Séquence de câblage

4-49-51, 50-48-17, 18-3

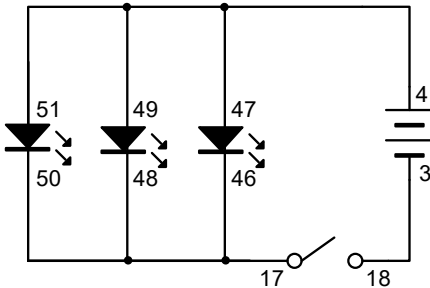


Effectuer toutes les connexions de câblage comme indiqué dans la séquence. En allumant l'appareil, les deux DEL s'allument. En éteignant l'appareil, les deux LED s'éteignent.

12.11 Trois LED en connexion parallèle

Séquence de câblage

4-47-49-51, 50-48-46-17, 18-3

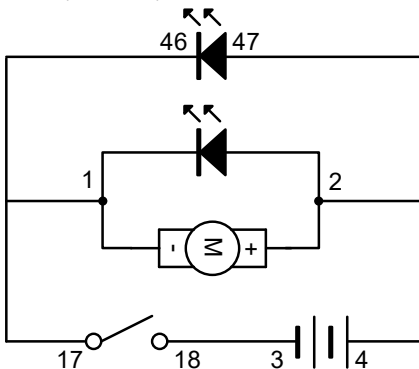


Effectuer toutes les connexions de câblage comme indiqué dans la séquence. En allumant l'appareil, trois DEL s'allument. En éteignant l'appareil, les trois diodes s'éteignent.

12.12 LED et spinning LED avec un seul interrupteur

Séquence de câblage

4-2-47, 46-1-17, 18-3

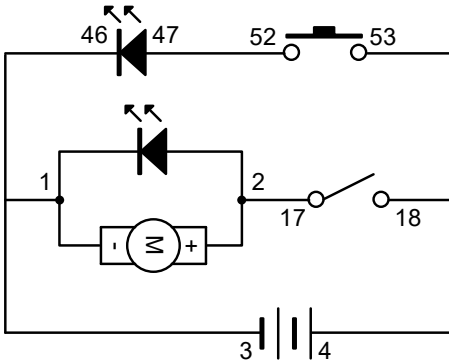


Effectuer toutes les connexions de câblage comme indiqué dans la séquence. Enclencher l'interrupteur principal. La LED s'allume et la LED d'essorage s'allume. Lorsque vous éteignez l'interrupteur principal, les deux appareils s'éteignent en même temps.

12.13 LED et LED tournante avec interrupteurs séparés

Séquence de câblage

4-18-53, 17-2, 52-47, 46-1-3

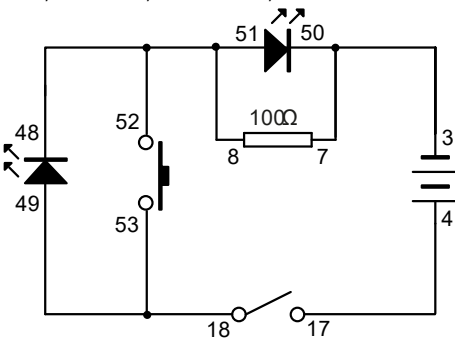


Effectuez toutes les connexions de câblage comme indiqué dans la séquence. Si vous enclenchez l'interrupteur principal, la diode électroluminescente de filature s'allume. Si vous appuyez sur l'interrupteur à poussoir, la DEL s'allume. Ils sont contrôlés par des interrupteurs distincts, ce qui vous permet de les allumer et de les éteindre individuellement.

12.14 Fonctionnement du circuit de base de la DEL

Séquence de câblage

4-17, 18-49-53, 52-48-51-8, 7-50-3

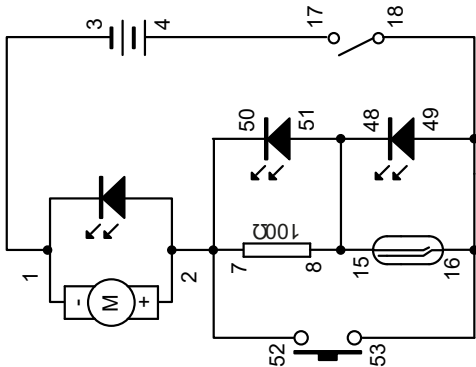


Effectuer toutes les connexions de câblage comme indiqué dans la séquence. Mettez l'interrupteur principal en marche. Vous verrez que le petit voyant s'allume, mais pas le grand. Lorsque vous appuyez sur l'interrupteur, le grand voyant s'allume mais le petit voyant s'éteint.

12.15 Lumière LED tournoyante dans le circuit d'avance Fonctionnement des LED

Séquence de câblage

4-17, 18-49-53-16, 15-48-51-8, 7-50-52-2, 1-3

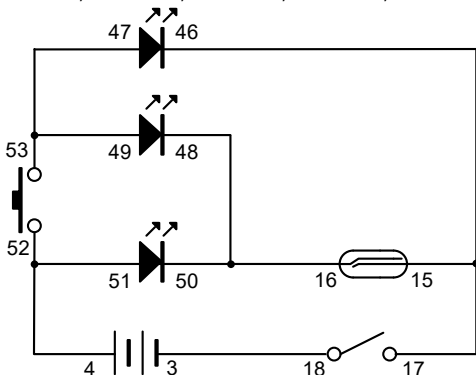


Effectuer toutes les connexions de câblage comme indiqué dans la séquence. Enclenchez l'interrupteur principal. Vous verrez que la LED bleue s'allume mais que les autres LED ne s'allument pas. Lorsque vous accédez à l'interrupteur Reed à l'aide du pôle magnétique, la LED bleue s'éteint et seule la LED jaune s'allume. Appuyez sur l'interrupteur à poussoir. Cette fois, seule la diode tournante s'allume !

12.16 Combinaison de DEL

Séquence de câblage

4-52-51, 50-16-48, 49-53-47, 46-15-17, 18-3

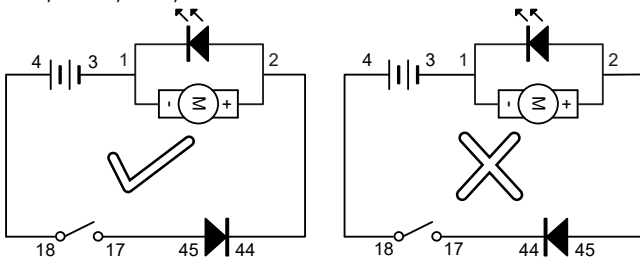


Effectuer toutes les connexions de câblage comme indiqué dans la séquence. Enclencher l'interrupteur principal. Le fait d'appuyer sur l'interrupteur à poussoir, d'accéder à l'interrupteur à lames avec le pôle magnétique, ou de faire les deux en même temps, entraînera des performances différentes des LED !

12.17 Fonction d'une diode

Séquence de câblage

4-18, 17-45, 44-2, 1-3

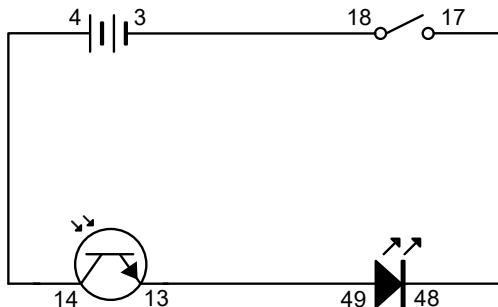


Effectuer toutes les connexions de câblage comme indiqué dans la séquence. Enclencher l'interrupteur principal. Le moteur tourne. Si vous inversez la polarité de la diode en changeant légèrement la connexion du câblage, 17 se connectant à 44 et 2 se connectant à 45, vous constaterez cette fois que le circuit ne fonctionne pas. En effet, la diode ne permet pas au courant de la traverser dans le sens inverse. Le circuit ne fonctionne donc pas cette fois-ci.

12.18 Une démonstration simple du capteur de lumière

Séquence de câblage

4-14, 13-49, 48-17, 18-3

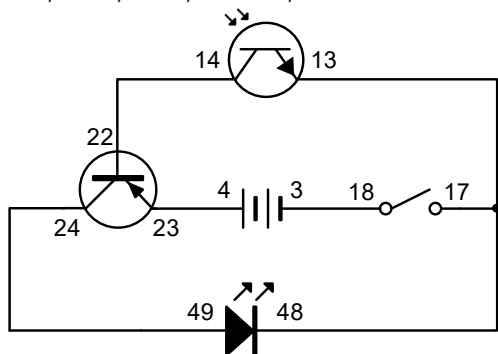


Effectuer toutes les connexions de câblage comme indiqué dans la séquence. Enclencher l'interrupteur principal. Vous remarquerez peut-être que la DEL s'allume très faiblement. Cela indique qu'elle n'est traversée que par une très faible quantité de courant. Cela dépend de l'intensité de la lumière qui tombe sur le capteur de lumière. Si vous réalisez cette expérience dans un endroit plus sombre, il se peut que la DEL ne s'allume pas du tout. Si vous utilisez une torche pour éclairer le capteur de lumière, vous verrez que la DEL s'allume fortement. En effet, plus il y a de lumière, plus le courant peut passer à travers le capteur de lumière et allumer la DEL.

12.19 Un exemple pratique : LED déclenchée par la lumière

Séquence de câblage

4-23, 22-14, 24-49, 48-13-17, 18-3

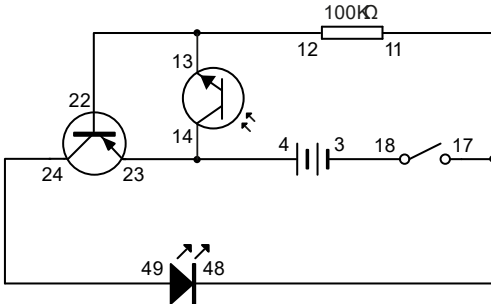


Effectuer toutes les connexions de câblage comme indiqué dans la séquence. Enclencher l'interrupteur principal. Cette fois, même avec une faible quantité de lumière, la DEL s'allumera vivement ! C'est parce que dans ce circuit, le transistor PNP est la véritable porte d'entrée de la DEL, et que le capteur de lumière ne fait que jouer le rôle d'interrupteur pour ouvrir la porte d'entrée ! Lorsque la partie supérieure du circuit n'est pas connectée, aucun courant ne circule entre l'"émetteur" et la "base" du transistor. La passerelle entre l'émetteur et le collecteur est donc fermée. Lorsque la lumière tombe sur le capteur de lumière, le circuit supérieur est connecté ; une très petite quantité de courant passe de l'"émetteur" à la "base", et la porte de l'"émetteur" au "collecteur" est alors ouverte ! Le courant électrique de la batterie peut alors circuler à travers le transistor jusqu'à la DEL, qui s'allume alors très fort ! Grâce à ce circuit, le capteur de lumière devient un interrupteur sensible qui détecte la lumière.

12.20 Un exemple pratique : LED déclenchée par l'obscurité

Séquence de câblage

4-14-23, 22-13-12, 24-49, 48-11-17, 18-3

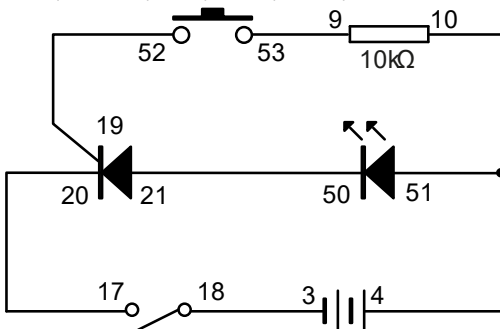


Effectuer toutes les connexions de câblage comme indiqué dans la séquence. Allumez l'interrupteur principal. Si vous vous trouvez dans une pièce très éclairée, la LED ne s'allumera pas. Lorsque vous couvrez le capteur de lumière, la LED s'allume. Cela signifie que la LED est allumée par l'obscurité au lieu de la lumière !

12.21 Démonstration d'une fonction simple du SCR

Séquence de câblage

21-50, 51-4-10, 9-53, 52-19, 20-17, 18-3

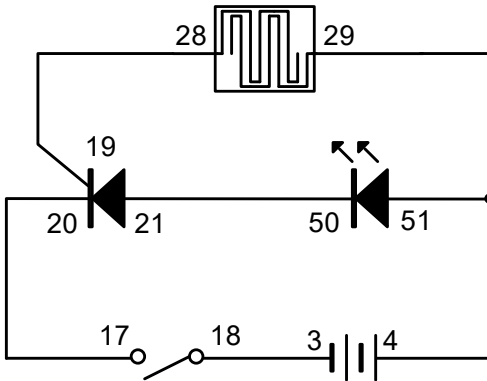


Effectuer toutes les connexions de câblage comme indiqué dans la séquence. Enclencher l'interrupteur principal. Rien ne se passe. Appuyez ensuite sur l'interrupteur sans le relâcher. La partie supérieure du circuit est connectée et le courant peut donc passer par la porte (G) et la cathode (K) du SCR puisqu'il s'agit d'un circuit complet. Cela revient à ouvrir la porte du SCR. Le courant principal peut alors circuler à travers l'anode (A) et la cathode (K), ce qui allume la DEL. Relâchez l'interrupteur. La LED continue à s'allumer ! Cela s'explique par le fait que la "porte" est déjà ouverte par le courant initial provenant du circuit supérieur et que le courant principal continue donc de circuler à travers le SCR. Par conséquent, si vous voulez éteindre la LED, vous devez éteindre l'interrupteur principal.

12.22 Un exemple pratique de SCR

Séquence de câblage

21-50, 51-4-29, 28-19, 20-17, 18-3

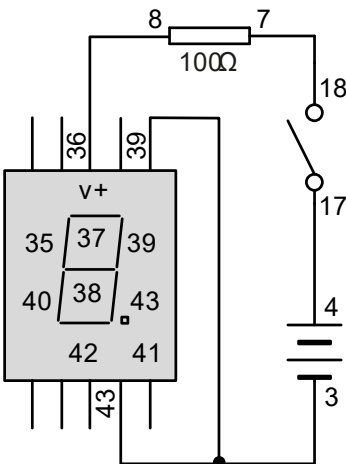


Effectuer toutes les connexions de câblage comme indiqué dans la séquence. Enclencher l'interrupteur principal. Il ne se passe rien. Lorsqu'une goutte d'eau est déposée sur la plaque tactile, la LED s'allume. Même si la plaque tactile est séchée par la suite, la LED continue à s'allumer, car la porte du SCR s'est ouverte. Sur la base de ce principe, vous pouvez installer un moniteur pour indiquer si la marée a atteint une certaine hauteur, ou si'il pleut pendant la période où vous êtes en voyage, ou si quelque chose s'est mouillé....., etc.

12.23 Segment numérique LED affichant "1"

Séquence de câblage

4-17, 18-7, 8-36, 3-39-43

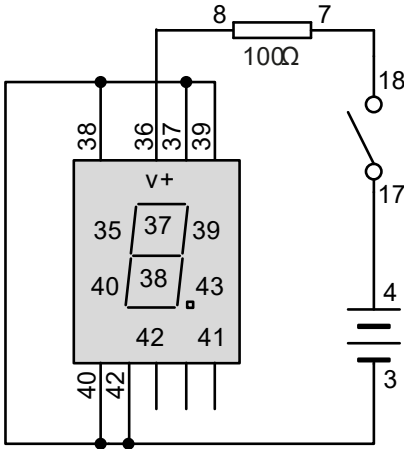


Effectuer toutes les connexions de câblage comme indiqué dans la séquence. En allumant l'appareil, la LED du segment numérique affichera "1".

12.24 Segment numérique LED affichant "2"

Séquence de câblage

4-17, 18-7, 8-36, 3-37-38-39-40-42

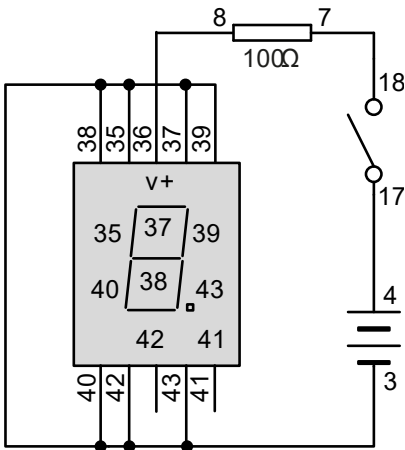


Effectuer toutes les connexions de câblage comme indiqué dans la séquence. En allumant l'appareil, la LED du segment numérique affichera "2".

12.25 Segment numérique LED affichant "8"

Séquence de câblage

4-17, 18-7, 8-36, 3-35-37-38-39-40-42-43

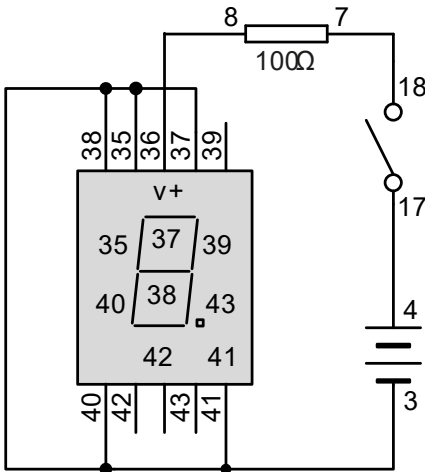


Effectuer toutes les connexions de câblage comme indiqué dans la séquence. En allumant l'appareil, la LED du segment numérique affichera "8".

12.26 Segment numérique LED affichant "F".

Séquence de câblage

4-17, 18-7, 8-36, 3-35-37-38-40-41

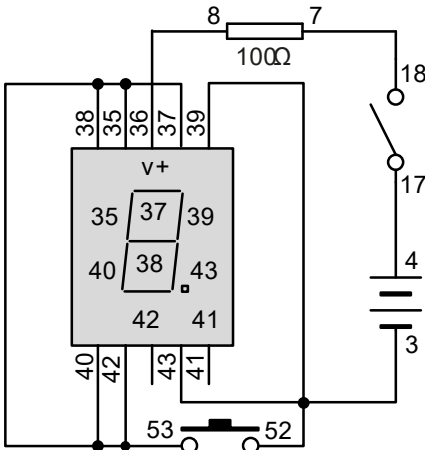


Effectuer toutes les connexions de câblage comme indiqué dans la séquence. En allumant l'appareil, la LED du segment numérique affichera "F".

12.27 Segment numérique LED commutation entre "1" et "8"

Séquence de câblage

4-17, 18-7, 8-36, 3-39-43-52, 53-35-37-38-40-42

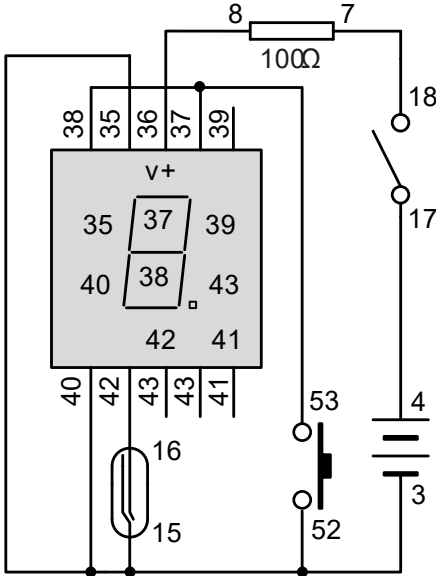


Effectuer toutes les connexions de câblage comme indiqué dans la séquence. Enclencher l'interrupteur principal. La LED du segment numérique affiche "1". En appuyant sur l'interrupteur, la LED du segment numérique affiche "8".

12.28 Segment numérique LED commutation entre "I", "L", "F" et "E"

Séquence de câblage

4-17, 18-7, 8-36, 35-40-15-3-52, 53-37-38, 42-16

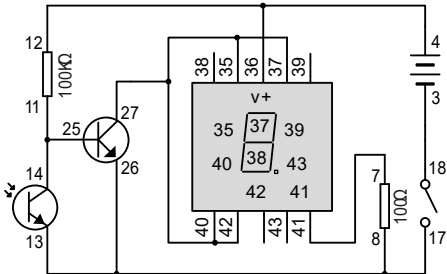


Effectuer toutes les connexions de câblage comme indiqué dans la séquence. Enclencher l'interrupteur principal. La LED du segment numérique affiche "I". Si vous accédez à l'interrupteur à lames avec le pôle magnétique, la LED du segment numérique affichera "L" ; ou si vous appuyez sur l'interrupteur à poussoir, la LED du segment numérique affichera "F". Et si vous activez les deux interrupteurs en même temps, il affichera "E".

12.29 Affichage LED à sept segments pour le contrôle de l'éclairage - C (Dark Type)

Séquence de câblage

3-18, 11-25-14, 4-36-12, 13-17-26-8, 7-41, 27-35-37-40-42

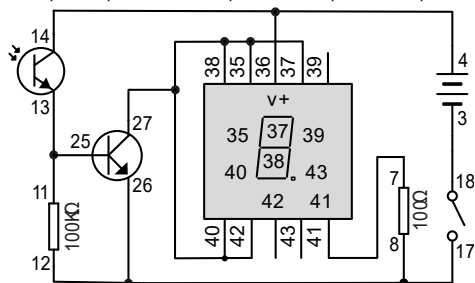


Effectuer toutes les connexions de câblage comme indiqué dans la séquence. Enclencher l'interrupteur principal. S'il y a suffisamment de lumière dans la pièce, seul le voyant d'alimentation de l'écran s'allume. Couvrez le capteur de lumière et l'écran affichera la lettre C. Si vous découvrez le capteur de lumière, la lettre C disparaîtra...

12.30 Contrôle de l'éclairage Affichage LED à sept segments - E (Type d'éclairage)

Séquence de câblage

3-18, 41-7, 17-26-12-8, 11-13-25, 4-36-14, 27-35-38-37-40-42

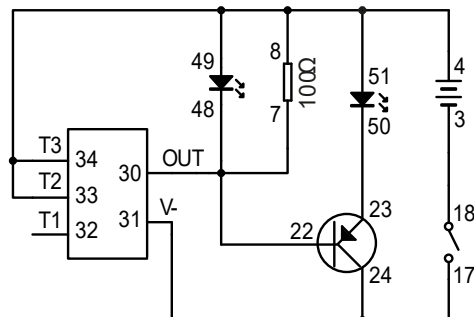


Effectuer toutes les connexions de câblage comme indiqué dans la séquence. Enclencher l'interrupteur principal. Le voyant d'alimentation s'allume alors et la lettre E apparaît sur l'écran. Lorsque vous couvrez le capteur de lumière, seul le voyant d'alimentation s'allume à l'écran. Si vous découvrez le capteur de lumière, la lettre E s'allume à nouveau.

12.31 LED clignotantes

Séquence de câblage

3-18, 8-4-51-49-33-34, 50-23, 7-22-30-48, 17-24-31

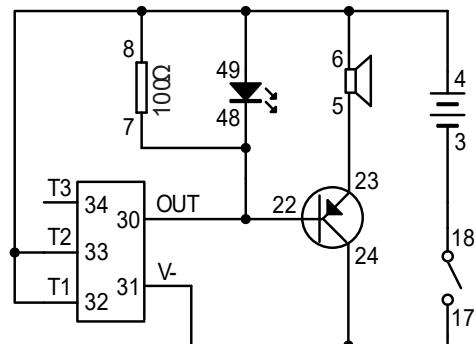


Effectuer toutes les connexions de câblage comme indiqué dans la séquence. Enclencher l'interrupteur principal. Les DEL clignotent alors.

12.32 Aboiement de chien avec LED clignotante

Séquence de câblage

3-18, 4-6-8-32-33-49, 5-23, 7-22-30-48, 17-24-31

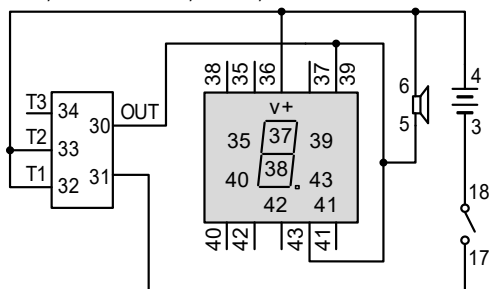


Effectuer toutes les connexions de câblage comme indiqué dans la séquence. Allumez l'interrupteur principal. Le haut-parleur produit un son d'aboïement de chien et la LED clignote au rythme de ce son.

12.33 Aboïement d'un chien et clignotement du chiffre "1".

Séquence de câblage

3-18, 4-6-36-32-33, 17-31, 30-39-43-5

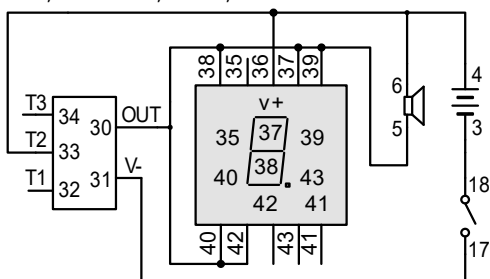


Effectuez toutes les connexions de câblage comme indiqué dans la séquence. En allumant l'appareil, le haut-parleur produit un son d'aboïement de chien. L'écran affiche également le chiffre "1" et clignote au rythme de celui-ci.

12.34 Chant du coq et chiffre "2" clignotant

Séquence de câblage

3-18, 4-6-36-33, 17-31, 5-30-37-38-39-40-42

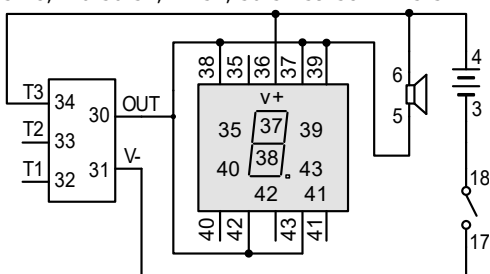


Effectuez toutes les connexions de câblage comme indiqué dans la séquence. En allumant l'appareil, le haut-parleur émet un chant de coq. L'écran affiche également le chiffre "2" et clignote au rythme de celui-ci.

12.35 Miaulement de chat et clignotement du chiffre "3".

Séquence de câblage

3-18, 4-6-36-34, 17-31, 30-37-39-38-42-43-5

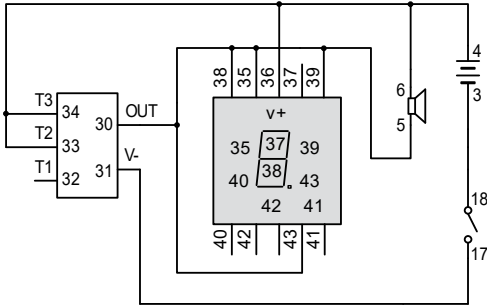


Effectuez toutes les connexions de câblage comme indiqué dans la séquence. En allumant l'appareil, le haut-parleur émet un miaulement de chat. L'écran affiche également le chiffre "3" et clignote au rythme de celui-ci.

12.36 Hennisement de cheval et chiffre "4" clignotant

Séquence de câblage

3-18, 4-36-33-34-6, 17-31, 30-35-38-39-43-5

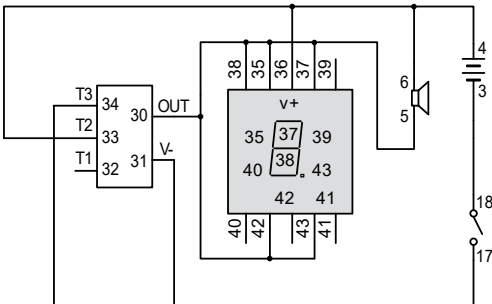


Effectuez toutes les connexions de câblage comme indiqué dans la séquence. En allumant l'appareil, le haut-parleur produit un hennisement de cheval. L'écran affiche également le chiffre "4" et clignote au rythme de celui-ci.

12.37 Gazouillis d'oiseau et chiffre "5" clignotant

Séquence de câblage

3-18, 4-6-36-33, 17-31-34, 5-30-35-37-38-42-43

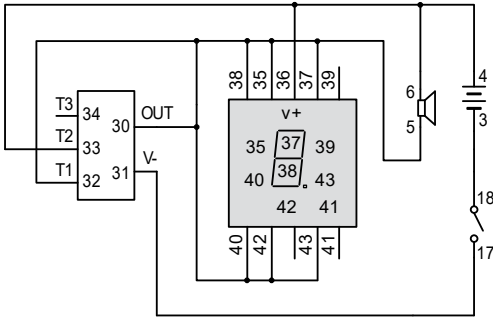


Effectuez tous les raccordements électriques comme indiqué dans la séquence. En allumant l'appareil, le haut-parleur émet des gazouillis d'oiseaux. L'écran affiche également le chiffre "5" et clignote au rythme de celui-ci.

12.38 Bruit de canard et chiffre "6" clignotant

Séquence de câblage

3-18, 4-6-36-33, 17-31, 5-30-32-35-37-38-40-42-43

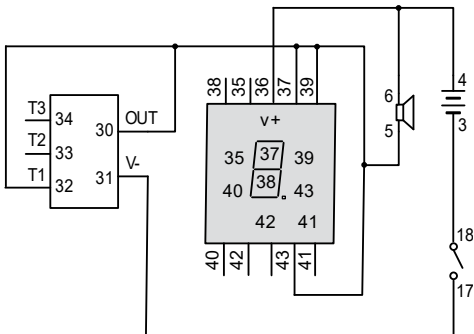


Effectuez toutes les connexions de câblage comme indiqué dans la séquence. En allumant l'appareil, le haut-parleur produit un son de canard. L'écran affiche également le chiffre "6" et clignote au rythme de celui-ci.

12.39 Bêlement de mouton et clignotement du chiffre "7".

Séquence de câblage

3-18, 4-6-36, 17-31, 5-30-32-37-39-43

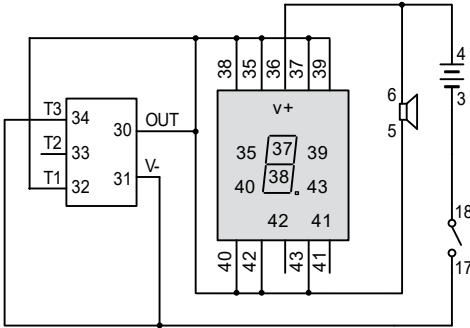


Effectuez toutes les connexions de câblage comme indiqué dans la séquence. En allumant l'appareil, le haut-parleur produira un son de mouton. L'écran affiche également le chiffre "7" et clignote au rythme de celui-ci.

12.40 Coucou et chiffre "8" clignotant

Séquence de câblage

3-18, 4-6-36, 17-31-34, 5-30-32-35-37-38-39-40-42-43

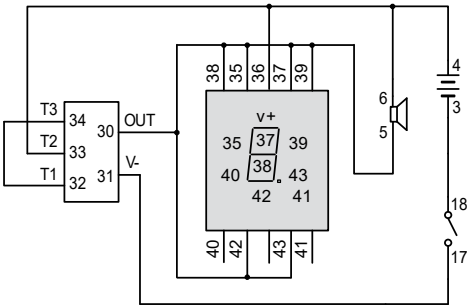


Effectuez toutes les connexions de câblage comme indiqué dans la séquence. En allumant l'appareil, le haut-parleur émet un son de coucou. L'écran affiche également le chiffre "8" et clignote au rythme de celui-ci.

12.41 Croassement d'une grenouille et clignotement du chiffre "9".

Séquence de câblage

3-18, 4-6-36-33, 32-34, 5-30-35-37-38-39-42-43, 17-31

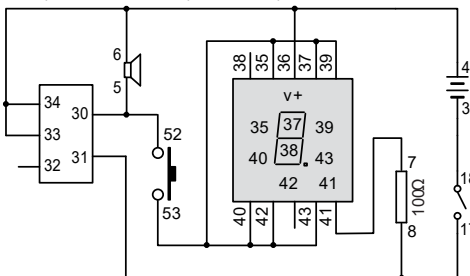


Effectuez toutes les connexions de câblage comme indiqué dans la séquence. En allumant l'appareil, le haut-parleur produit un croassement de grenouille. L'écran affiche également le chiffre "9" et clignote au rythme de celui-ci.

12.42 Commande manuelle du hennissement du cheval avec interrupteur de commande clignotant chiffre "0".

Séquence de câblage

3-18, 4-6-36-34-33, 5-30-52, 53-40-42-43-35-37-39, 41-7, 8-31-17

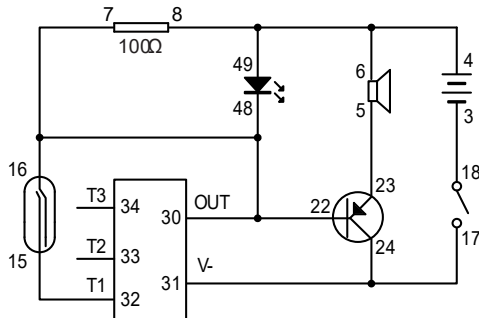


Effectuez toutes les connexions de câblage comme indiqué dans la séquence. En allumant l'appareil, le haut-parleur émet un hennissement de cheval et le point situé dans le coin inférieur droit de l'écran d'affichage s'allume. Ensuite, en appuyant sur l'interrupteur sans le relâcher, le chiffre 0 s'allume et clignote au rythme du hennissement du cheval.

12.43 L'aimant permet de contrôler le son des moutons avec une LED clignotante.

Séquence de câblage

3-18, 17-24-31, 32-15, 16-7-30-22-48, 49-8-6-4, 5-23

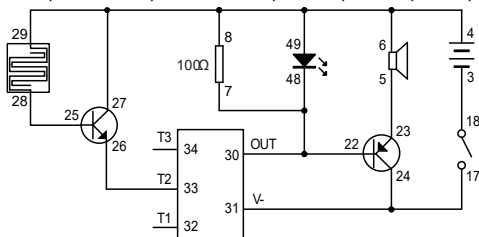


Effectuer toutes les connexions de câblage comme indiqué dans la séquence. Enclencher l'interrupteur principal. Accédez à l'interrupteur à lames avec le pôle magnétique. Le haut-parleur émet un son de mouton et la LED clignote au rythme du son de mouton.

12.44 Contrôle tactile du chant du coq avec LED clignotante

Séquence de câblage

3-18, 17-24-31, 30-7-22-48, 33-26, 28-25, 23-5, 29-27-8-49-6-4

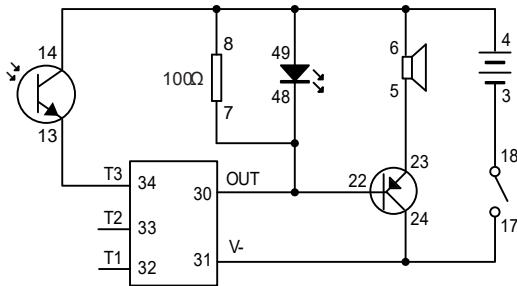


Effectuer toutes les connexions de câblage comme indiqué dans la séquence. Enclencher l'interrupteur principal. Touchez la plaque tactile avec votre doigt. Le haut-parleur émet un chant de coq et la LED clignote au rythme du chant. Notez que si vous n'obtenez pas de réponse, vous devrez peut-être amortir votre doigt et réessayer.

12.45 Contrôle de la lumière, miaulement du chat avec LED clignotante

Séquence de câblage

5-23, 22-48-7-30, 31-24-17, 18-3, 4-6-8-49-14, 13-34

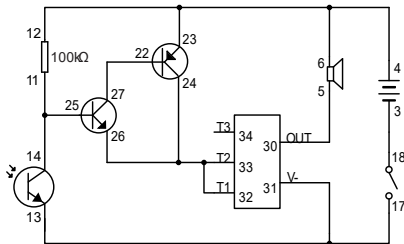


Effectuer toutes les connexions de câblage comme indiqué dans la séquence. Allumez l'interrupteur principal. Lorsque le capteur de lumière est éclairé, le haut-parleur émet un miaulement de chat et la LED clignote au rythme de ce miaulement.

12.46 Aboiements de chien activés par l'obscurité

Séquence de câblage

3-18, 4-6-23-12, 5-30, 17-31-13, 24-26-33-32, 22-27, 11-14-25

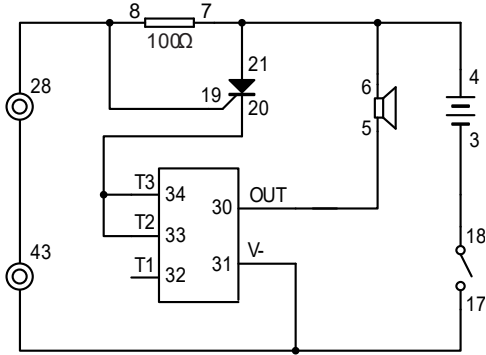


Effectuez toutes les connexions de câblage comme indiqué dans la séquence. Allumez l'interrupteur principal et couvrez complètement le capteur de lumière. Vous pouvez alors entendre les aboiements du chien provenant du haut-parleur. Une fois le capteur de lumière découvert, les aboiements du chien s'arrêtent.

12.47 Alarme de sécurité en cas de déconnexion du câblage

Séquence de câblage

3-18, 17-43-31, 30-5, 4-6-21-7, 8-28-19, 20-33-34, 28-43

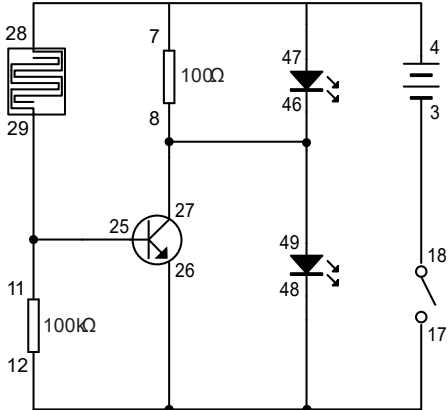


Effectuer toutes les connexions de câblage comme indiqué dans la séquence. Enclencher l'interrupteur principal. Il ne se passe rien. Puis, lorsque vous déconnectez le fil reliant le ressort 28 au ressort 43, le haut-parleur émet un hennissement de cheval ! Ce circuit peut être utilisé comme système d'alarme. Par exemple, lorsque quelqu'un déclenche la corde d'alarme, le hennissement du cheval vous avertit de la présence d'un intrus !

12.48 Alarme LED de niveau d'eau

Séquence de câblage

3-18, 4-7-28-47, 17-48-12-26, 8-27-49-46, 11-29-25



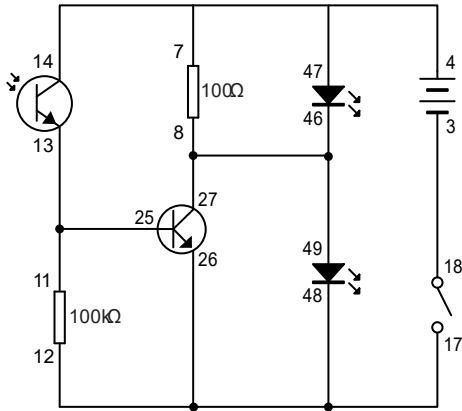
Effectuer toutes les connexions de câblage comme indiqué dans la séquence. Enclencher l'interrupteur principal. Déposez une goutte d'eau sur la plaque tactile. La LED multicolore s'allume et la LED bleue s'éteint. Essayez l'eau sur la plaque tactile. La LED bleue s'allume et la LED multicolore s'éteint.

Ce principe peut être utilisé pour l'avertissement du niveau d'eau. Installez un circuit similaire à l'endroit où le niveau d'eau doit être surveillé. Lorsque le niveau d'eau dépasse le niveau d'alerte, la LED multicolore s'allume et la LED bleue s'éteint. Lorsque le niveau d'eau est inférieur au niveau d'alerte, la LED multicolore s'éteint et la LED bleue s'allume.

12.49 Indicateur d'intensité lumineuse

Séquence de câblage

3-18, 4-7-14-47, 17-12-26-48, 8-27-46-49, 11-13-25

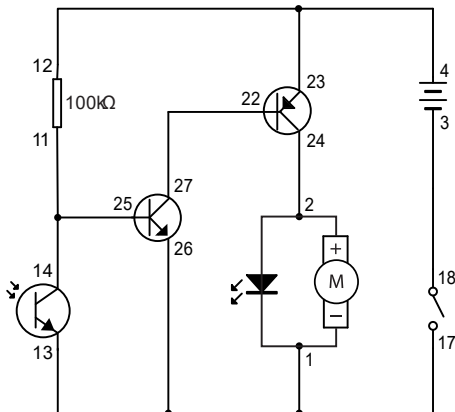


Effectuer toutes les connexions de câblage comme indiqué dans la séquence. Enclencher l'interrupteur principal. Lorsque le capteur de lumière est éclairé, la LED multicolore s'allume, mais pas la LED bleue. Couvrez complètement le capteur de lumière. Comme il n'y a pas de lumière, la LED multicolore s'éteint et la LED bleue s'allume. Lorsque le capteur de lumière n'est pas recouvert, la LED multicolore s'allume et la LED bleue s'éteint à nouveau. Ce capteur peut être utilisé comme indicateur d'intensité lumineuse.

12.50 Lumière LED tournante activée par l'obscurité

Séquence de câblage

3-18, 4-23-12, 26-17-1-13, 24-2, 22-27, 11-14-25

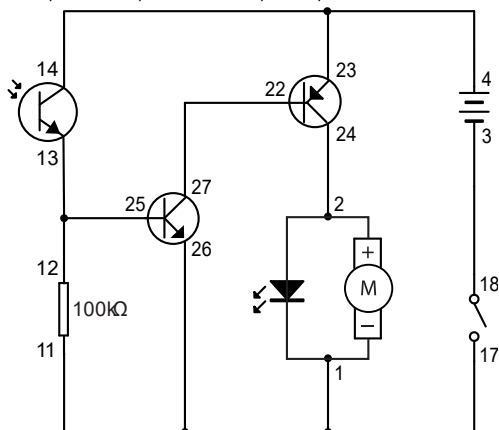


Effectuer toutes les connexions de câblage comme indiqué dans la séquence. Enclencher l'interrupteur principal. Couvrez le capteur de lumière, et la diode électroluminescente s'allume. Retirez le capteur de lumière et la LED s'éteindra.

12.51 Contrôle de la lumière Lumière LED tournante

Séquence de câblage

3-18, 4-23-14, 26-17-1-11, 24-2, 22-27 12-13-25



Effectuez toutes les connexions de câblage comme indiqué dans la séquence. Enclencher l'interrupteur principal, puis la LED de rotation s'allume. Lorsque le capteur de lumière est recouvert, la diode électroluminescente en rotation s'éteint. La lumière est l'interrupteur de la DEL tournante dans ce circuit.

© AVIS DE DROIT D'AUTEUR

Le copyright de ce manuel est la propriété de Velleman nv. Tous les droits mondiaux sont réservés. Aucune partie de ce manuel ne peut être copiée, reproduite, traduite ou réduite sur un support électronique ou autre sans l'accord écrit préalable du détenteur des droits d'auteur.

MANUAL DEL USUARIO

1. Introducción



A todos los residentes en la Unión Europea

Información medioambiental importante sobre este producto

Este símbolo en el aparato o en el embalaje indica que la eliminación del aparato después de su ciclo de vida podría dañar el medio ambiente. No deseche el aparato (ni las pilas) como residuos urbanos sin clasificar; debe llevarlo a una empresa especializada para su reciclaje. Este aparato debe devolverse a su distribuidor o a un servicio de reciclaje local. Respete las normas medioambientales locales.

En caso de duda, póngase en contacto con las autoridades locales de eliminación de residuos.

Gracias por elegir Velleman. Lea detenidamente el manual antes de poner en servicio este aparato. Si el aparato ha resultado dañado durante el transporte, no lo instale ni lo utilice y póngase en contacto con su distribuidor.

2. Instrucciones de seguridad



Lea y comprenda este manual y todas las señales de seguridad antes de utilizar este aparato.



Peligro de asfixia por piezas pequeñas. No apto para niños menores de 3 años.

8+

Edad recomendada: +.

- Este producto está destinado al uso con fines educativos en escuelas y otros contenidos pedagógicos bajo la vigilancia de un instructor adulto, como equipos científicos.
- Protéjalo de la lluvia, la humedad, las salpicaduras y el goteo de líquidos, los golpes y el maltrato, el calor extremo y el polvo.

3. Advertencia

Se requiere la supervisión y asistencia de un adulto.

Esta unidad sólo debe ser utilizada por niños mayores de 8 años.

No apto para niños menores de 3 años debido a las piezas y componentes de pequeño tamaño - PELIGRO DE INGESTIÓN POR ASFIXIA.

Lea y siga todas las instrucciones del manual antes de utilizarlo.

Este juguete contiene piezas pequeñas y puntas afiladas funcionales en los componentes. Mantener fuera del alcance de niños menores de 3 años.

Se necesitan 2 pilas de tamaño AA (no incluidas).

Conserve la información y este manual para futuras consultas.

Se incluyen instrucciones para los padres que deben respetarse.

No utilizar cerca del oído. El uso incorrecto puede dañar el oído.

4. Precaución

Antes de poner en marcha cualquier experimento, compruebe y asegúrese de que todas las conexiones de cableado que ha realizado son correctas antes de insertar las pilas y encender la unidad, ya que un fallo puede provocar daños en los componentes o en la placa de circuitos de la unidad.

Una vez finalizado el experimento, asegúrate de que las pilas están desconectadas y apaga la unidad antes de retirar los cables.

No aplique al experimento otros componentes o piezas que no sean los suministrados con este kit.

El juguete no debe conectarse a más fuentes de alimentación de las recomendadas.

El pelo puede enredarse si la cabeza del niño está demasiado cerca de la unidad motorizada de este juguete.

Este juguete contiene puntas afiladas funcionales en los cables y conductores de los componentes, por lo que debe manipularse con cuidado.

5. Directrices generales

- Consulte la garantía de servicio y calidad de Velleman® en las últimas páginas de este manual.
- Toda modificación del aparato está prohibida por razones de seguridad. La garantía no cubre los daños causados por modificaciones realizadas por el usuario en el aparato.
- Utilice el aparato únicamente para los fines previstos. El uso no autorizado del aparato anulará la garantía.
- Los daños causados por la inobservancia de determinadas directrices de este manual no están cubiertos por la garantía y el distribuidor no aceptará responsabilidad alguna por los defectos o problemas resultantes.
- Ni Velleman group nv ni sus distribuidores podrán ser considerados responsables de ningún daño (extraordinario, fortuito o indirecto) - de cualquier naturaleza (financiera, física...) derivado de la posesión, utilización o avería de este producto.
- Conserve este manual para futuras consultas.

6. Descripción del producto

Nos complace darle la bienvenida para que pruebe este kit de circuito electrónico listo para usar, adecuado para niños a partir de 8 años. "Te sorprenderá" lo que puedes aprender, ya que el experimento es un concepto realista de la electrónica y la electricidad. Definitivamente le permitirá aprender acerca de los componentes electrónicos necesarios, circuitos y teorías, así como los principios básicos de la electrónica - electricidad, voltaje, corriente, resistencia, magnetismo, otro circuito eléctrico y la teoría.

No pasa nada si no tienes conocimientos de electrónica y no entiendes del todo cómo funcionan todos los experimentos. Una vez que empieces, podrás ampliar tus conocimientos a través de la experimentación y tal vez probando algunos experimentos interesantes por tu cuenta.

Este kit de circuitos electrónicos contiene más de 50 experimentos, y está inteligentemente diseñado para que la unidad de placa de circuito principal tenga todos los componentes electrónicos relevantes incluidos. Todo lo que tienes que hacer es simplemente conectar los cables de acuerdo con la secuencia de cableado de cada experimento y seguir los pasos uno por uno. Una vez conectado, el circuito se activará y funcionará.

Recuerda que no se trata de un experimento puntual. Cuanto más te dediques a construir experimentos, más conocimientos adquirirás. Nunca te aburrirás, sino que te comprometerás totalmente, ya que descubrirás más experimentos nuevos y emocionantes durante varios años.

EXPERIMENTOS

1. Circuito LED simple
2. Luz LED giratoria
3. Función del interruptor de láminas
4. Demostración de resistencia y corriente
5. Resistencias conectadas en serie
6. Resistencias conectadas en paralelo
7. Función de la placa táctil
8. Demostración sencilla de una función del transistor PNP
9. Demostración sencilla de una función del transistor NPN
10. Dos LED en conexión paralela
11. Tres LED en conexión paralela
12. LED y LED giratorio con un solo interruptor
13. LED y LED giratorio con interruptores separados
14. Funcionamiento del circuito básico del LED
15. Luz LED giratoria en circuito anticipado funcionamiento de los LED

16. Combinación de LED
17. Función de un diodo
18. Una sencilla demostración del sensor de luz
19. Un ejemplo práctico: LED activado por luz
20. Un ejemplo práctico: LED activado por oscuridad
21. Demostración de una función simple de SCR
22. Un ejemplo práctico de SCR
23. LED de segmento digital que muestra "1" -
24. LED de segmento digital que muestra "2" -
25. Segmento digital LED que muestra "8" -
26. LED de segmento digital que muestra "F".
27. Conmutación del LED de segmento digital entre "1" y "8".
28. LED de segmento digital que cambia entre "I", "L", "F" y "E" -
29. Control de luz pantalla LED de siete segmentos - C (Tipo oscuro)
30. Control de luz pantalla LED de siete segmentos - E (Tipo de luz)
31. LEDs intermitentes
32. Sonido de ladrido de perro con LED parpadeante
33. Sonido de ladrido de perro y dígito "1" parpadeante
34. Sonido de canto de gallo y dígito "2" parpadeante -
35. Sonido de maullido de gato y dígito "3" parpadeante
36. Relincho de caballo y cifra "4" intermitente
37. Pitido de pájaro y cifra "5" parpadeante
38. Graznido de pato y cifra "6" parpadeante
39. Oveja que emite un pitido y la cifra "7" parpadea
40. Sonido de llamada de cuco y dígito "8" parpadeante
41. Sonido de rana croando y dígito "9" parpadeando
42. Control manual relincho de caballo con pulsador de control dígito "0" intermitente
43. Control magnético de oveja con LED parpadeante
44. Control táctil del canto del gallo con LED parpadeante
45. Control de luz sonido maullido de gato con LED parpadeante
46. Sonido de ladrido de perro activado por oscuridad
47. Alarma de seguridad basada en la desconexión del cableado
48. Alarma LED de nivel de agua
49. Indicador de intensidad luminosa
50. Luz LED giratoria activada por la oscuridad
51. Luz LED giratoria de control

7. Glosario

Amplificador - Circuito electrónico que amplifica la señal que se le envía. El componente amplificador puede ser un transistor, un tubo de vacío o un dispositivo magnético apropiado.

Batería - Fuente de energía. Contiene sustancias químicas que reaccionan químicamente para producir electricidad cuando se conecta un circuito.

Capacitancia - Medida de la capacidad de un condensador para almacenar carga eléctrica.

Condensador - Dispositivo formado por dos conductores separados por un aislante. Está diseñado para almacenar carga eléctrica o como filtro en un circuito.

CI (Circuito Integrado) - Pequeño dispositivo electrónico fabricado con material semiconductor y que se utiliza en diversos aparatos, como microprocesadores, equipos electrónicos y automóviles.

Sensor de luz - Existen diferentes tipos de sensores de luz. El que se utiliza aquí es un fototransistor. Cuando la luz incide sobre él, es como un interruptor conectado y así se permite el paso de corriente a través de él.

Diodo - Dispositivo utilizado en circuitos eléctricos para permitir que una corriente eléctrica fluya en una dirección y bloquearla en la dirección inversa.

Micrófono - Dispositivo que convierte el sonido en una señal eléctrica.

Motor - Dispositivo que convierte la energía eléctrica en movimiento mecánico.

LED (diodo emisor de luz) - Un diodo emite luz cuando pasa corriente a través de él.

Resistencia - Medida del grado en que un objeto se opone a que una corriente eléctrica lo atraviese.

Resistor - Dispositivo diseñado para poseer resistencia.

Altavoz - Dispositivo que transforma las señales eléctricas en sonido.

Interruptor - Dispositivo para abrir y cerrar la fuente de alimentación de un circuito.

Transistor - Dispositivo semiconductor que amplifica una señal y abre o cierra un circuito.

Tabla de verdad - Es una tabla matemática utilizada para calcular lógicamente los valores de la explicación lógica y como procedimiento de decisión.

Resistencia variable - Un tipo de resistencia y un dispositivo de resistencia ajustable en el circuito electrónico / eléctrico.

Cable - Conductor de electricidad. Conectar un cable es como crear una vía por la que fluye la electricidad.

Interruptor de láminas: Se trata de un interruptor magnético que contiene lengüetas metálicas en su interior. Cuando se acerca un imán, la fuerza de atracción hace que las láminas se junten. De este modo, entrarán en contacto y la trayectoria se conectará.

Placa táctil: Es una placa con dos partes de superficies conductoras. Las dos superficies no están conectadas, sino que tienen un pequeño espacio entre ellas. La electricidad no puede fluir a través de ellas debido a este pequeño espacio. Cuando se toca con un dedo o se rocía con una gota de agua, el pequeño espacio se llena y la electricidad puede fluir a través de él (aunque la resistencia es bastante grande porque la resistencia del agua es bastante grande).

Zumbador: Un dispositivo que puede producir un sonido simple

SCR: Un rectificador controlado por silicio, o SCR, es como un policía de tráfico para la electricidad en los dispositivos electrónicos. Permite el flujo de electricidad en una dirección, actuando como una compuerta que se abre y se cierra. Es un tipo especial de interruptor que ayuda a controlar la energía y a garantizar que todo funcione sin problemas.

8. Información sobre la batería

Utiliza 2 pilas AA de 1,5 V (no incluidas).

Para obtener el mejor rendimiento, utilice siempre pilas nuevas y quítelas cuando no las utilice.

Las pilas deben insertarse con la polaridad correcta.

Las pilas no recargables no deben recargarse.

Las pilas recargables sólo deben cargarse bajo la supervisión de un adulto.

Las pilas recargables deben extraerse del juguete antes de cargarlas.

No se deben mezclar distintos tipos de pilas o pilas nuevas y usadas.

Las pilas gastadas deben retirarse del juguete.

Los terminales de alimentación no deben cortocircuitarse.

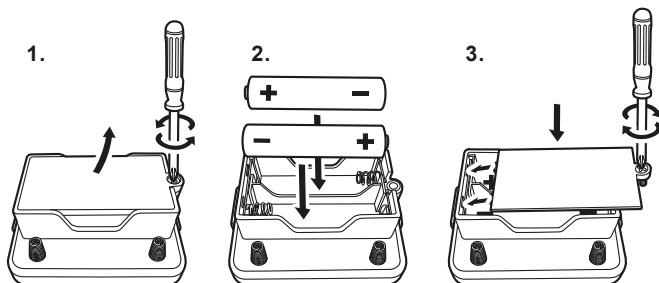
Sólo deben utilizarse pilas del mismo tipo o equivalentes.

No arroje las pilas al fuego.

No mezcle pilas viejas y nuevas.

No mezcle pilas alcalinas, de carbono-zinc y recargables.

Para insertar las pilas, desenrosque la tapa con un destornillador. Inserte las pilas necesarias de acuerdo con la polaridad de las pilas con los extremos + y - en la posición correcta y, a continuación, fije el tornillo en la tapa de las pilas para cerrar la caja del compartimento de las pilas.



9. Secuencia de cableado y conexión

Asegúrese de que todos los cables estén correctamente conectados a los terminales de resorte numerados de la unidad de la placa de circuito principal, tal como se indica en la secuencia de cableado de cada experimento. Doble el terminal de resorte e inserte la parte brillante del conductor del cable en el terminal de resorte. Asegúrese de que el cable esté bien conectado al terminal de resorte.

Por ejemplo, si la secuencia de cableado es 4-33, 1-10-32-35, 2-12, entonces conecte un cable entre el terminal de resorte 4 y 33; y luego conecte un cable entre el terminal de resorte 1 y 10, y un cable entre el terminal de resorte 10 y 32, y un cable entre el terminal de resorte 32 y 35; y finalmente conecte un cable entre el terminal de resorte 2 y 12. Esto es sólo un ejemplo para referencia, no una conexión exacta del circuito en el experimento.

Si el circuito no funciona, puede comprobar si la conexión entre el cable y el terminal de resorte no está bien conectada o si la parte de plástico aislante de un cable está insertada en el terminal de resorte.

10. Característica del componente

En este kit de experimentos, aprenderás teoría básica de circuitos, características del condensador, CI (circuito integrado), LED (diodo emisor de luz), sensor de luz, resistencia y transistor. Podrás aprender que cuando el transistor y el condensador trabajan juntos, se pueden hacer varios efectos de luz y sonido en diferentes conexiones de circuitos.

El condensador es un dispositivo formado por dos conductores separados por un aislante. Está diseñado para almacenar carga eléctrica o como filtro en un circuito. Es un componente comúnmente utilizado en circuitos electrónicos y eléctricos como dispositivo de almacenamiento de energía o como dispositivo de filtro para filtrar señales electrónicas ruidosas o de frecuencias inútiles. Existen varios tipos de condensadores diseñados para diferentes aplicaciones en circuitos electrónicos y eléctricos.



Condensador electrolítico



Símbolo del circuito

Un CI (Circuito Integrado) es un pequeño dispositivo electrónico fabricado con semiconductores que se utiliza en diversos aparatos, como microprocesadores, equipos electrónicos y automóviles. El CI está formado por un gran número de transistores en un "chip" (silicio). En la actualidad es un componente fundamental y de uso común en una gran variedad de aplicaciones, desde juguetes y productos domésticos hasta equipos de última generación.



Circuitos integrados

El LED (diodo emisor de luz) es un diodo que emite luz cuando lo atraviesa la corriente eléctrica. Los LED tienen varios colores de luz que dependen del tipo de materiales semiconductores utilizados. Es un dispositivo muy utilizado en aparatos de iluminación domésticos y de vehículos.



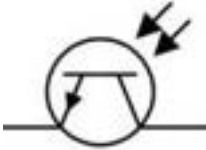
circuito

LED (diodo emisor de luz)



Símbolo del

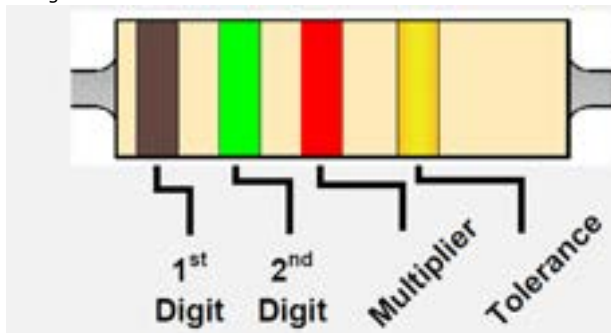
El sensor de luz es un dispositivo que reacciona a la luz. Existen diferentes tipos de sensores de luz. El que se utiliza aquí es un fototransistor. Cuando no hay luz, la corriente eléctrica no puede pasar a través de él. Por lo tanto, es como un interruptor apagado. Cuando hay luz que incide sobre él, la corriente eléctrica puede pasar a través de él. Entonces es como un interruptor que se enciende. De esta forma se puede crear un circuito de control de la luz.



Símbolo del circuito

La **resistencia** utiliza anillos de diferentes colores para representar el valor (resistencia). Los anillos 1 y 2 representan el dígito. El 3er anillo representa el multiplicador como se muestra en la tabla. El 4º anillo representa la tolerancia, es decir, la precisión de la resistencia. Ejemplo: Los anillos de color son Marrón, Rojo, Marrón y Dorado lo que representa que la resistencia es de 120 ohm, tolerancia 5% (Ω).

Código de identificación del color



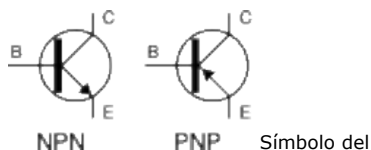
Color	1º	2ª	3º - multiplicador	Tolerancia
Negro	0	0	x 1	
Marrón	1	1	x 10	
Rojo	2	2	x 100	
Naranja	3	3	x 1000	
Amarillo	4	4	x 10000	
Verde	5	5	x 100000	
Azul	6	6	x 1000000	
Morado	7	7		
Gris	8	8		
Blanco	9	9		
Marrón				+/- 1%
Rojo				+/- 2%
Oro			x 0.1	+/- 5%
Plata			x 0.01	+/- 10%

El transistor es un dispositivo semiconductor que se utiliza para amplificar una señal y para abrirla o cerrarla en un circuito. Existen dos tipos de transistores, **NPN** y **PNP**, con un símbolo de circuito similar. El transistor es un dispositivo fundamental utilizado habitualmente en los equipos electrónicos modernos. Tiene la respuesta más rápida y la acción más precisa como amplificador y dispositivo de conmutación, y puede actuar como dispositivo/componente individual o como parte de un CI (Circuito Integrado). Los CI están formados por entre mil y un millón de transistores.



circuito

Transistor



NPN

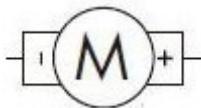
PNP

Símbolo del

Si ya has leído la información anterior y te gustaría comprender mejor los conocimientos sobre circuitos eléctricos, así como la utilidad de sus componentes, vamos a realizar los siguientes experimentos.

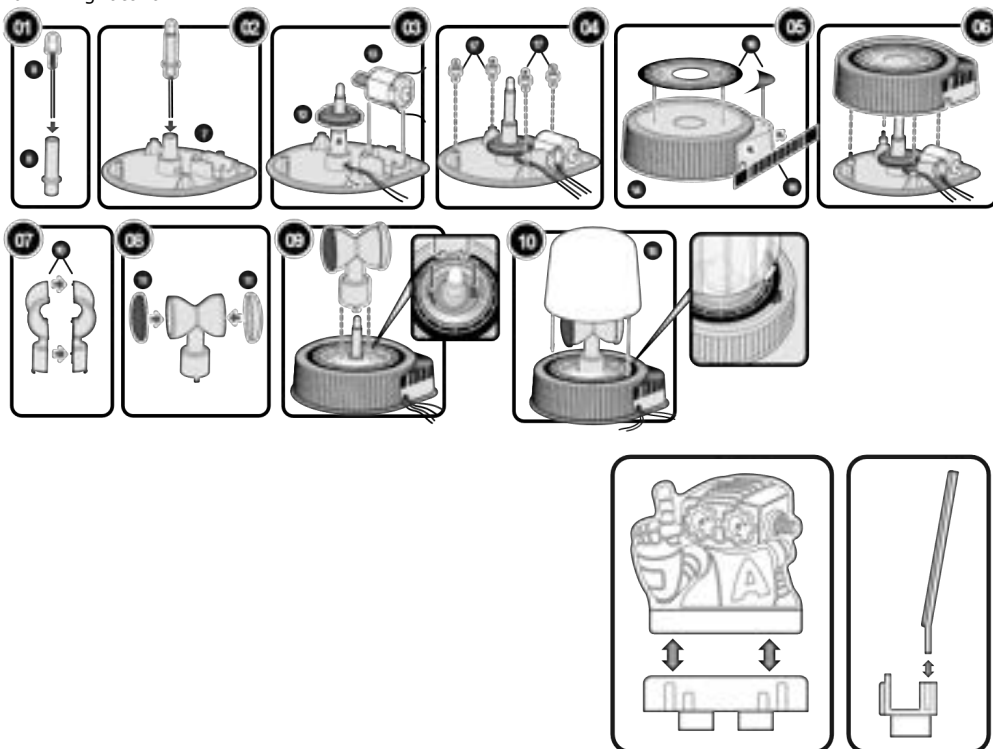
El motor es un dispositivo que produce un movimiento giratorio cuando se suministra electricidad. Por analogía, la batería es como una bomba que bombea agua a través de las pilas (cables). Cuando se conecta un circuito, la electricidad puede fluir a través de él. La electricidad que fluye se denomina corriente. Una corriente es el flujo de cargas eléctricas. La cantidad de corriente es la cantidad de carga eléctrica que fluye por el cable en un segundo.

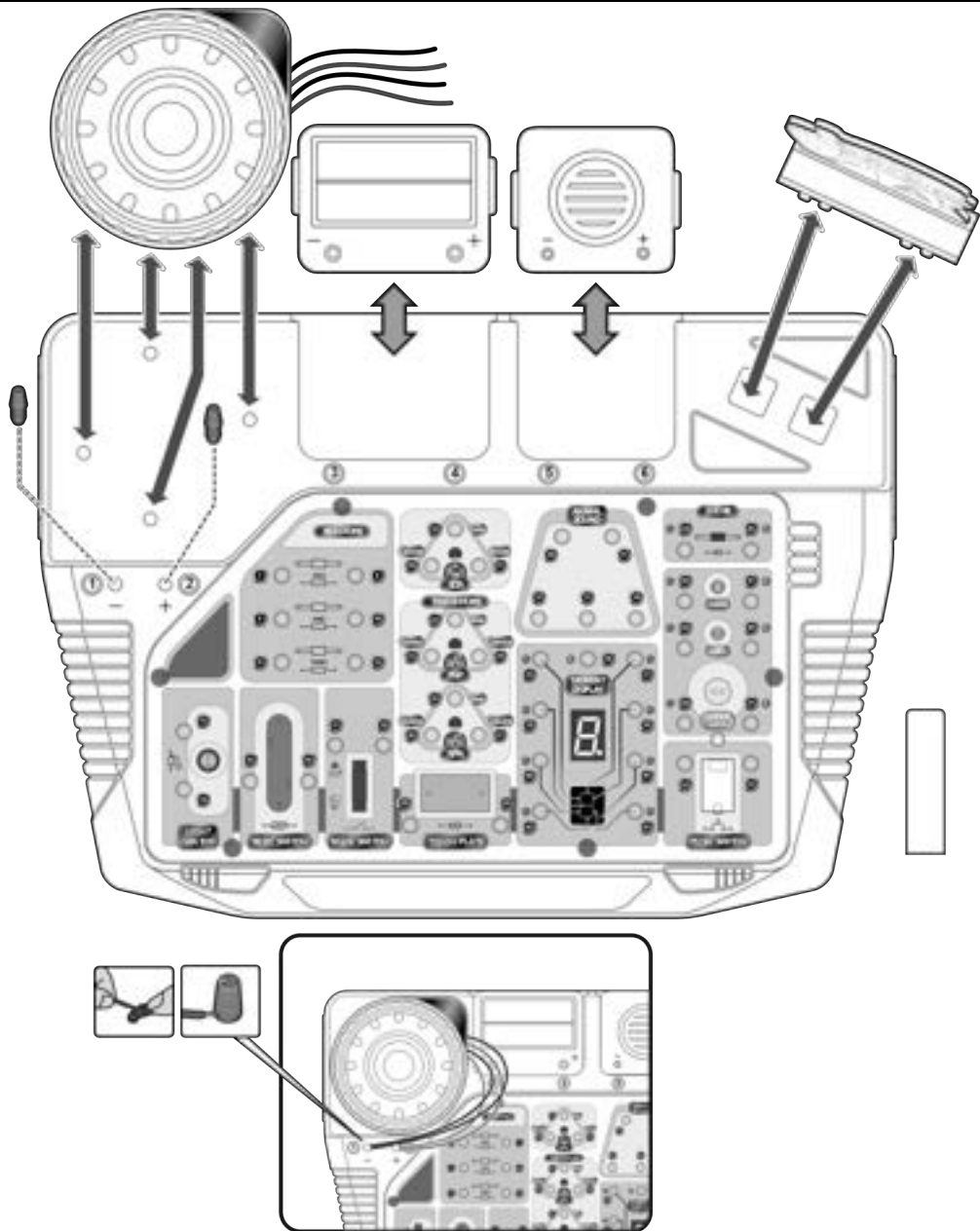
Otro término común que oímos a menudo sobre la electricidad es el voltaje. La tensión se refiere a la energía eléctrica por unidad de carga. Es la energía eléctrica que transporta cada unidad de carga eléctrica.



11. Montaje

Luz LED giratoria:



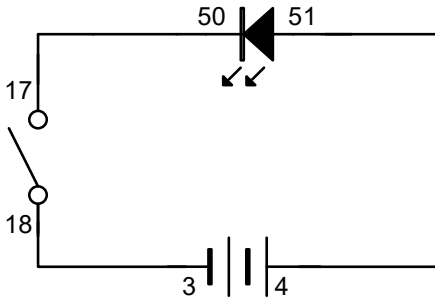


12. Experimentos

12.1 Circuito LED sencillo

Secuencia de cableado

4-51, 50-17, 18-3



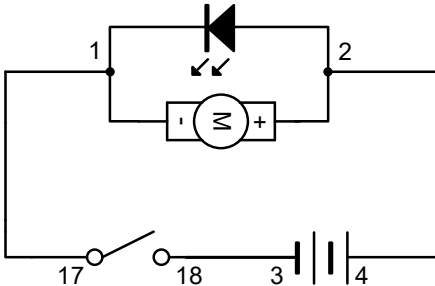
Complete todas las conexiones de cableado como se indica en la secuencia. Al encender, el LED se ilumina. Al apagar, el LED se apaga.

Usted mismo puede cambiar para utilizar otro LED. Basta con mirar el diagrama del circuito, y conectar a otro LED de la misma manera. Eso sí, no confundas el polo positivo (+) y el negativo (-). De lo contrario, el LED no se encenderá.

12.2 Luz LED giratoria

Secuencia de cableado

4-2, 1-17, 18-3

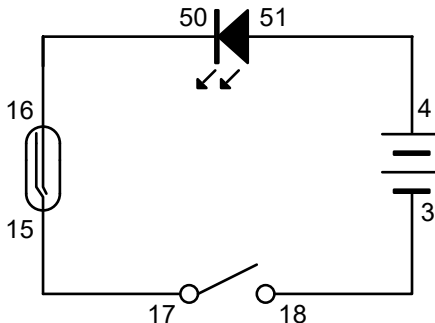


Complete todas las conexiones de cableado como se indica en la secuencia. Conecte el interruptor principal. El LED de giro se encenderá y girará.

12.3 Función del interruptor de láminas

Secuencia de cableado

4-51, 50-16, 15-17, 18-3

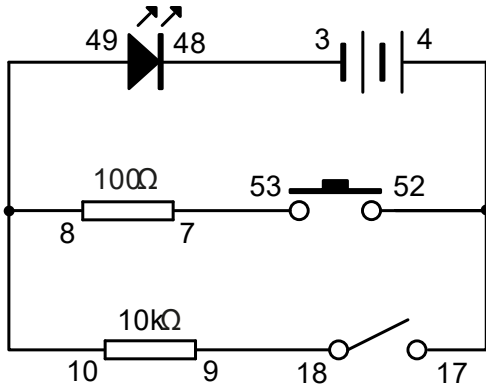


Complete todas las conexiones de cableado como se indica en la secuencia. Conecte el interruptor principal. Acceda al interruptor de láminas con el polo magnético. El LED se iluminará cuando el circuito esté conectado. Aleje el polo magnético, el circuito se desconectará y el LED se apagará.

12.4 Demostración de resistencia y corriente

Secuencia de cableado

48-3, 4-52-17, 18-9, 10-49-8, 7-53

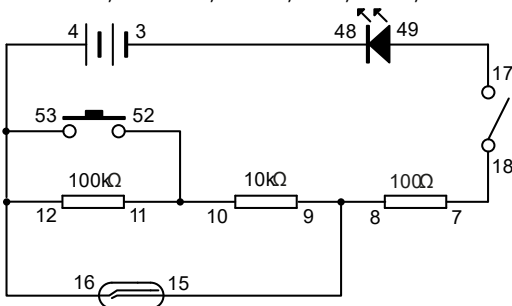


Complete todas las conexiones de cableado como se indica en la secuencia. Conecte el interruptor principal. El LED se iluminará tenuemente. Desconecte el interruptor principal para apagarlo. Pulse ahora el interruptor pulsador. El LED se iluminará con mayor intensidad. Esto se debe a que el recorrido del interruptor principal tiene una resistencia mayor. Por lo tanto, la corriente a través de este camino será menor y, en consecuencia, el LED brillará menos. Por otro lado, la trayectoria del interruptor pulsador tiene una resistencia menor. Así que la corriente a través de este camino será mayor, y el LED será más brillante.

12.5 Resistencias conectadas en serie

Secuencia de cableado

4-12-16-53, 52-11-10, 9-15-8, 7-18, 17-49, 48-3

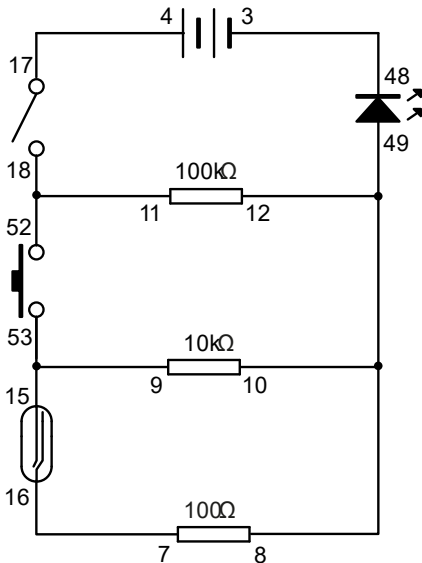


Complete todas las conexiones de cableado como se indica en la secuencia. Conecte el interruptor principal. La corriente eléctrica procedente de las baterías tendrá que pasar a través de 3 resistencias, por lo que el LED se iluminará muy débilmente o, aparentemente, no se iluminará en absoluto. Pulse el interruptor pulsador. Esta vez, la corriente sólo tendrá que pasar por 2 resistencias, por lo que el LED se iluminará más que antes. Accede al interruptor de láminas con el polo magnético. Esta vez, la corriente sólo tendrá que pasar por 1 resistencia, por lo que el LED se iluminará aún más. Como analogía, una resistencia es como un obstáculo. Cuantos menos obstáculos haya en el circuito, más corriente podrá pasar.

12.6 Resistencias conectadas en paralelo

Secuencia de cableado

4-17, 18-11-52, 53-9-15, 16-7, 8-10-12-49, 48-3

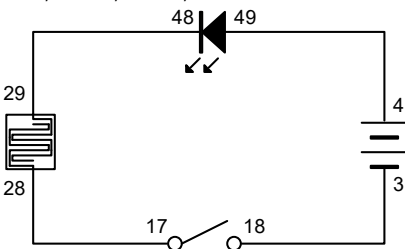


Complete todas las conexiones de cableado como se indica en la secuencia. Encienda el interruptor principal. La corriente eléctrica de las baterías pasará a través de la resistencia de $100\text{k}\Omega$ para encender el LED. El LED se iluminará muy tenuemente, o aparentemente no se iluminará en absoluto. Pulsa el interruptor pulsador. Ahora hay un camino más disponible. Aunque hay una resistencia de $10\text{k}\Omega$ en este camino, esto sigue siendo un camino extra para que la corriente fluya a través. Por lo tanto, fluirá más corriente a través del LED y hará que se ilumine con más intensidad. No suelte el interruptor de láminas. Acceda al interruptor de láminas con el polo magnético. Ahora se dispone de una vía adicional. Ahora hay un total de 3 caminos por los que fluye la corriente y por los que el LED se iluminará más. Aunque esta vez también hay 3 resistencias en el circuito, el LED se ilumina intensamente. Las resistencias están conectadas en paralelo, por lo que el resultado es diferente.

12.7 Función de la placa táctil

Secuencia de cableado

4-49, 48-29, 28-17, 18-3

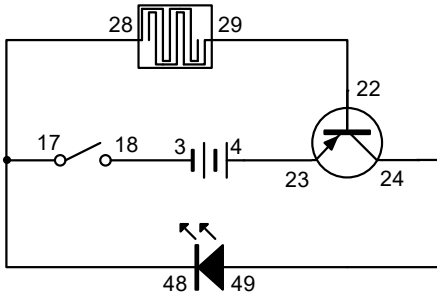


Complete todas las conexiones de cableado como se indica en la secuencia. Conecte el interruptor principal. Humedezca el dedo con agua y toque la placa táctil. El LED se iluminará muy débilmente. Esto indica que el agua tiene una gran resistencia y, por tanto, sólo puede pasar una pequeña cantidad de corriente eléctrica. Si pones una gota de agua salada en la placa táctil, el LED se iluminará con más intensidad. Esto se debe a que el agua salada es mejor conductora que el agua corriente, por lo que puede pasar más corriente.

12.8 Demostración sencilla de una función del transistor PNP

Secuencia de cableado

4-23, 24-49, 22-29, 28-48-17, 18-3

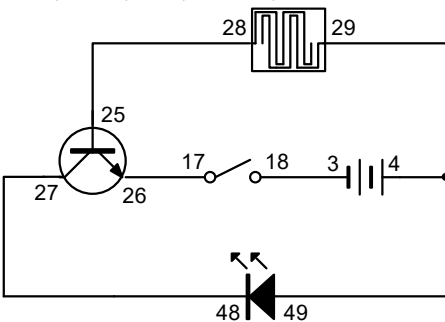


Complete todas las conexiones de cableado como se indica en la secuencia. Conecte el interruptor principal. Humedezca el dedo con agua y toque la placa táctil. A pesar de que sólo fluye una pequeña cantidad de corriente eléctrica a través de la placa táctil (como se muestra en el último experimento), ¡el LED se enciende brillantemente! Esto se debe a que en este circuito, el transistor PNP es la verdadera puerta de entrada al LED, y la placa táctil sólo actúa como un interruptor para abrir la puerta de entrada. Cuando la parte superior del circuito no está conectada, no fluye corriente a través del "Emisor" hacia la "Base" del transistor. Por lo tanto, la pasarela del "Emisor" al "Colector" está cerrada. Al tocar la placa táctil, el circuito superior se conecta; una cantidad muy pequeña de corriente pasa a través del "Emisor" a la "Base", y entonces se abre la puerta del "Emisor" al "Colector". La corriente eléctrica de la pila puede entonces fluir a través del transistor hasta el LED, y por lo tanto el LED se iluminará intensamente.

12.9 Una demostración sencilla de la función del transistor NPN

Secuencia de cableado

28-25, 26-17, 18-3, 4-29-49, 48-27

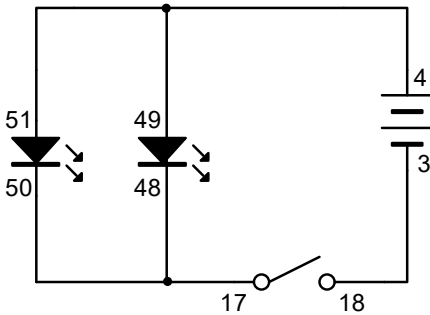


Complete todas las conexiones de cableado como se indica en la secuencia. Conecte el interruptor principal. Toque la placa táctil. A través de la placa táctil fluye muy poca corriente eléctrica (como se muestra en el último experimento), ¡pero el LED se enciende intensamente! Esto es prácticamente igual que en el caso del transistor PNP. Sólo se invierten las polaridades del transistor.

12.10 Dos LED en conexión paralela

Secuencia de cableado

4-49-51, 50-48-17, 18-3

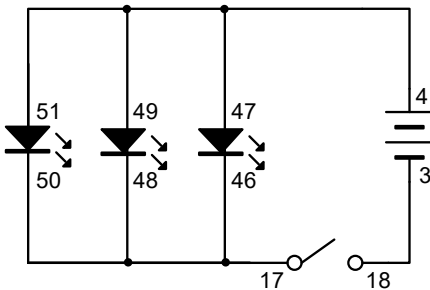


Complete todas las conexiones de cableado como se indica en la secuencia. Al conectar, se iluminan los dos LED. Al desconectar, ambos LED se apagan.

12.11 Tres LED en conexión paralela

Secuencia de cableado

4-47-49-51, 50-48-46-17, 18-3

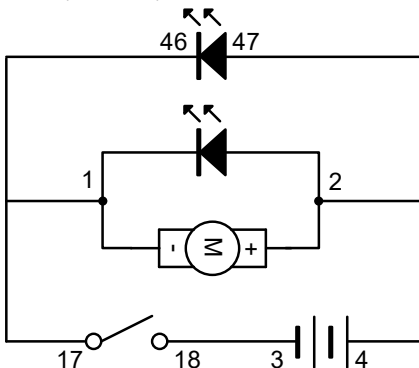


Complete todas las conexiones de cableado como se indica en la secuencia. Al conectar, se iluminan tres LED. Al desconectar, se apagarán los tres LED.

12.12 LED y LED giratorio con un solo interruptor

Secuencia de cableado

4-2-47, 46-1-17, 18-3

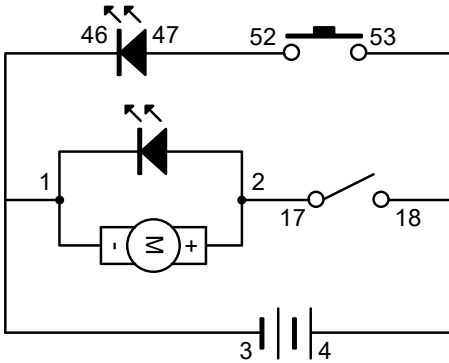


Complete todas las conexiones de cableado como se indica en la secuencia. Conecte el interruptor principal. El LED se iluminará y la luz LED giratoria se encenderá. Cuando apague el interruptor principal, ambos dispositivos se apagarán al mismo tiempo.

12.13 LED y LED giratorio con interruptores independientes

Secuencia de cableado

4-18-53, 17-2, 52-47, 46-1-3

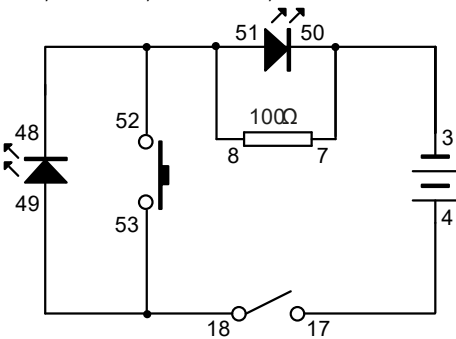


Complete todas las conexiones de cableado como se indica en la secuencia. Si conecta el interruptor principal, se encenderá la luz LED giratoria. Si pulsa el interruptor pulsador, se encenderá el LED. Están controlados por interruptores separados para que pueda encenderlos y apagarlos individualmente.

12.14 Funcionamiento básico del circuito LED

Secuencia de cableado

4-17, 18-49-53, 52-48-51-8, 7-50-3

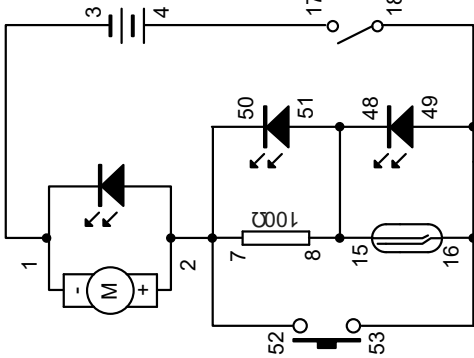


Complete todas las conexiones de cableado como se indica en la secuencia. Conecte el interruptor principal. Verá que el LED pequeño se enciende pero el LED grande no. Al pulsar el interruptor, verá que el LED grande se enciende pero el LED pequeño se apaga.

12.15 Luz LED giratoria en circuito anticipado funcionamiento de los LED

Secuencia de cableado

4-17, 18-49-53-16, 15-48-51-8, 7-50-52-2, 1-3

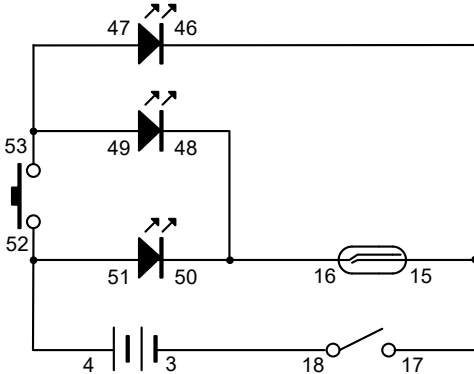


Complete todas las conexiones de cableado como se indica en la secuencia. Conecte el interruptor principal. Verá que el LED azul se encenderá pero los demás LEDs no se encenderán. Cuando acceda al interruptor de láminas con el polo magnético, el LED azul se apagará y ahora sólo se encenderá el LED amarillo. Pulse el interruptor de láminas. Esta vez sólo se encenderá el LED giratorio.

12.16 Combinación de LEDs

Secuencia de cableado

4-52-51, 50-16-48, 49-53-47, 46-15-17, 18-3

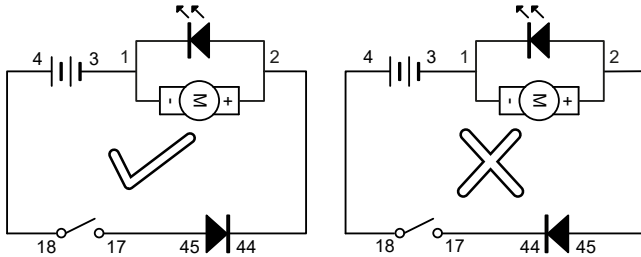


Complete todas las conexiones de cableado como se indica en la secuencia. Conecte el interruptor principal. Si se pulsa el interruptor pulsador o se accede al interruptor de láminas con el polo magnético, o si se hacen ambas cosas a la vez, ise obtendrán diferentes rendimientos de los LED!

12.17 Función de un diodo

Secuencia de cableado

4-18, 17-45, 44-2, 1-3

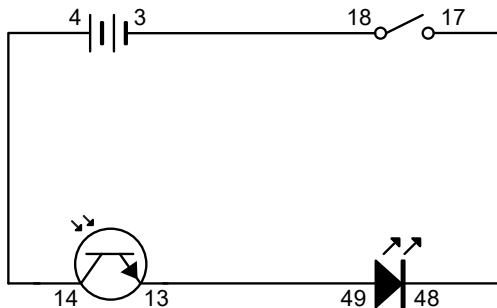


Complete todas las conexiones de cableado como se indica en la secuencia. Conecte el interruptor principal. El motor girará. Si inviertes la polaridad de conexión del diodo cambiando un poco la conexión del cableado, 17 conectar a 44 y 2 conectar a 45, esta vez comprobarás que el circuito no funciona. Esto se debe a que el diodo no permite que la corriente lo atraviese en sentido inverso. Por lo tanto el circuito no funciona esta vez.

12.18 Una sencilla demostración del sensor de luz

Secuencia de cableado

4-14, 13-49, 48-17, 18-3

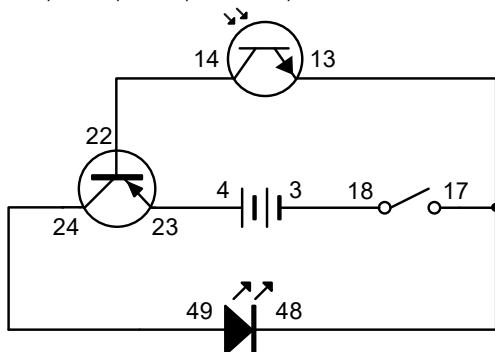


Complete todas las conexiones de cableado como se indica en la secuencia. Conecte el interruptor principal. Observará que el LED se ilumina muy débilmente. Esto indica que sólo fluye una cantidad muy pequeña de corriente a través de él. Depende de la intensidad de la luz que incide sobre el sensor de luz. Si realizas este experimento en un lugar oscuro, es posible que el LED no se ilumine en absoluto. Si utilizas una linterna para iluminar el sensor de luz, verás que el LED se enciende con intensidad. Esto se debe a que cuando hay más luz, más corriente podrá pasar a través del sensor de luz e iluminar el LED.

12.19 Un ejemplo práctico: LED activados por luz

Secuencia de cableado

4-23, 22-14, 24-49, 48-13-17, 18-3

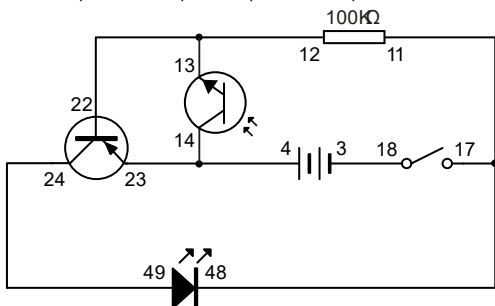


Complete todas las conexiones de cableado como se indica en la secuencia. Conecte el interruptor principal. Esta vez, incluso con una pequeña cantidad de luz, el LED se iluminará intensamente. Esto se debe a que en este circuito, el transistor PNP es la verdadera puerta de entrada al LED, y el sensor de luz sólo actúa como interruptor para abrir la puerta de entrada. Cuando la parte superior del circuito no está conectada, no fluye corriente a través del "Emisor" hacia la "Base" del transistor. Por lo tanto, la pasarela del "Emisor" al "Colector" está cerrada. Cuando la luz incide sobre el sensor de luz, el circuito superior se conecta; una cantidad muy pequeña de corriente pasa a través del "Emisor" a la "Base", y entonces la puerta del "Emisor" al "Colector" se abre. La corriente eléctrica de la pila puede entonces fluir a través del transistor hacia el LED, y por lo tanto el LED se iluminará. Este circuito hace que el sensor de luz se convierta en un interruptor sensible para detectar la luz.

12.20 Un ejemplo práctico: LED activados por la oscuridad

Secuencia de cableado

4-14-23, 22-13-12, 24-49, 48-11-17, 18-3

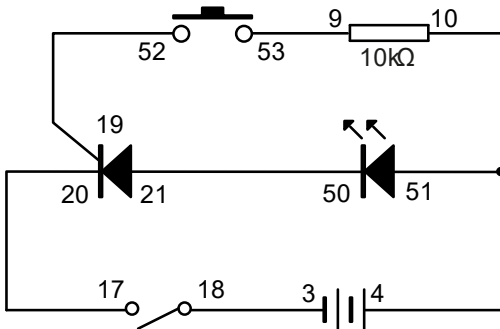


Complete todas las conexiones de cableado como se indica en la secuencia. Encienda el interruptor principal. Si se encuentra en una habitación con mucha luz, el LED no se encenderá. Cuando cubra el sensor de luz, el LED se encenderá. Esto significa que el LED se enciende por la oscuridad en lugar de por la luz.

12.21 Demostración de una función sencilla del SCR

Secuencia de cableado

21-50, 51-4-10, 9-53, 52-19, 20-17, 18-3

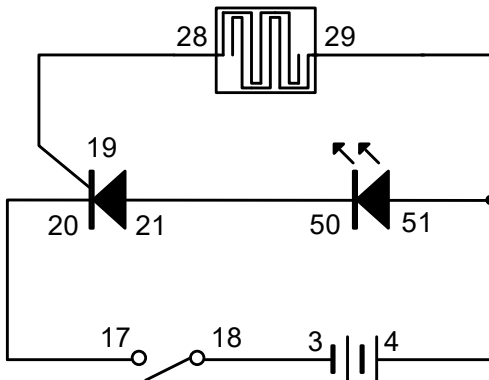


Complete todas las conexiones de cableado como se indica en la secuencia. Conecte el interruptor principal. No ocurre nada. A continuación, pulse el interruptor sin soltarlo. La parte superior del circuito está conectada y, por lo tanto, la corriente puede circular por la puerta (G) y el cátodo (K) del SCR, ya que se trata de un circuito completo. Esto es como abrir la puerta del SCR. Y la corriente principal puede fluir por el ánodo (A) y el cátodo (K), lo que enciende el LED. Suelta el interruptor. El LED seguirá brillando. Esto se debe a que la "puerta" ya está abierta por la corriente inicial del circuito superior y, por lo tanto, la corriente principal seguirá fluyendo a través del SCR. Por lo tanto, si desea apagar el LED, tendrá que apagar el interruptor principal.

12.22 Un ejemplo práctico de SCR

Secuencia de cableado

21-50, 51-4-29, 28-19, 20-17, 18-3

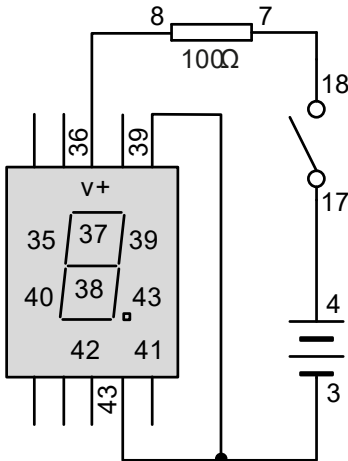


Complete todas las conexiones de cableado como se indica en la secuencia. Conecte el interruptor principal. No ocurre nada. Cuando haya una gota de agua en la placa táctil, el LED se iluminará. Aunque la placa táctil se seque después, el LED seguirá brillando, ya que la puerta del SCR se ha abierto. Basándose en este principio, puede configurar un monitor para que le indique si la marea ha alcanzado una cierta altura, o si llueve durante el periodo en el que está de viaje fuera de casa, o si algo se ha mojado, etc.

12.23 Segmento digital LED que muestra "1"

Secuencia de cableado

4-17, 18-7, 8-36, 3-39-43

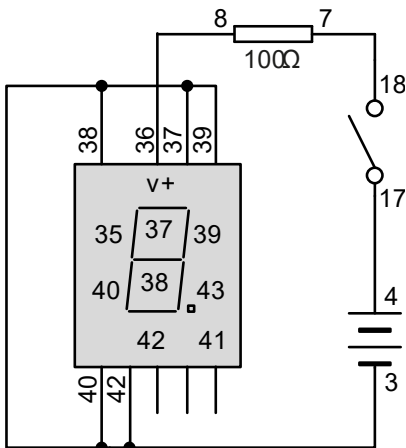


Complete todas las conexiones de cableado como se indica en la secuencia. Al conectar, el LED del segmento digital mostrará "1".

12.24 Segmento digital LED que muestra "2"

Secuencia de cableado

4-17, 18-7, 8-36, 3-37-38-39-40-42

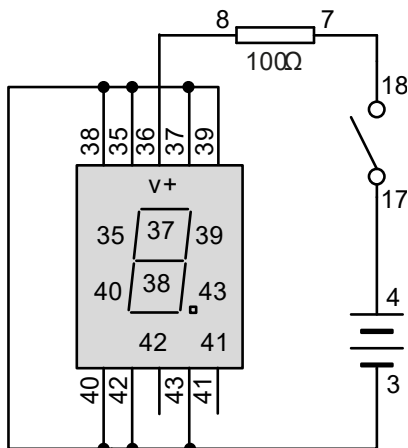


Complete todas las conexiones de cableado como se indica en la secuencia. Al conectar, el LED del segmento digital mostrará "2".

12.25 Segmento digital LED que muestra "8"

Secuencia de cableado

4-17, 18-7, 8-36, 3-35-37-38-39-40-42-43

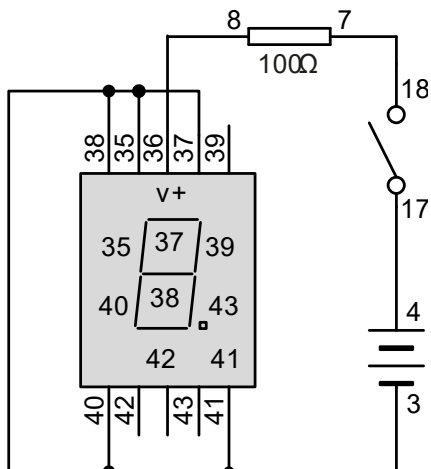


Complete todas las conexiones de cableado como se indica en la secuencia. Al conectar, el LED del segmento digital mostrará "8".

12.26 Segmento digital LED que muestra "F".

Secuencia de cableado

4-17, 18-7, 8-36, 3-35-37-38-40-41

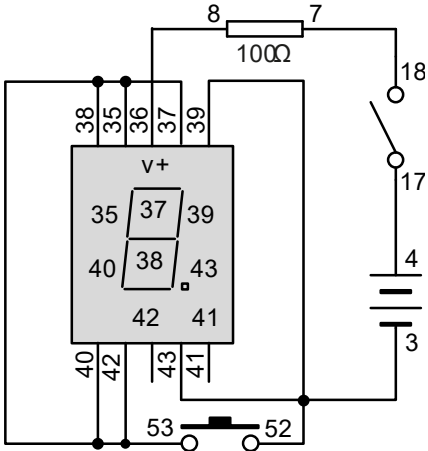


Complete todas las conexiones de cableado como se indica en la secuencia. Al conectar, el LED del segmento digital mostrará "F".

12.27 Conmutación del LED del segmento digital entre "1" y "8".

Secuencia de cableado

4-17, 18-7, 8-36, 3-39-43-52, 53-35-37-38-40-42

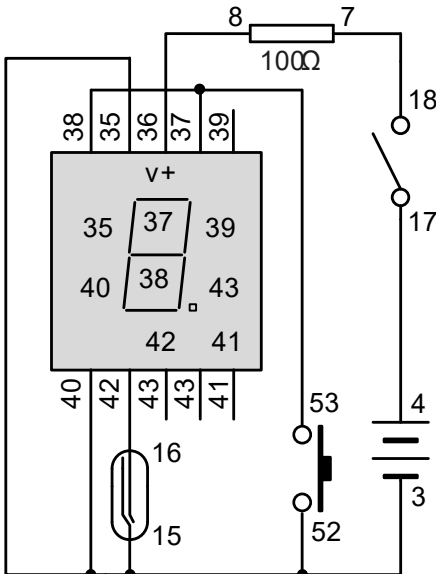


Complete todas las conexiones de cableado como se indica en la secuencia. Conecte el interruptor principal. El LED del segmento digital mostrará "1". Al pulsar el interruptor pulsador, el LED del segmento digital mostrará "8".

12.28 Conmutación de LED de segmento digital entre "I", "L", "F" y "E"

Secuencia de cableado

4-17, 18-7, 8-36, 35-40-15-3-52, 53-37-38, 42-16

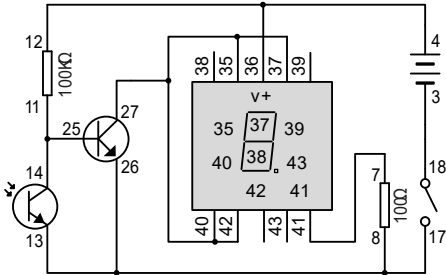


Complete todas las conexiones de cableado como se indica en la secuencia. Conecte el interruptor principal. El LED del segmento digital mostrará "I". Si accede al interruptor de láminas con el polo magnético, el LED del segmento digital mostrará "L"; o si pulsa el interruptor pulsador, el LED del segmento digital mostrará "F". Y si activa ambos interruptores al mismo tiempo, mostrará "E".

12.29 Pantalla LED de siete segmentos de control de luz - C (tipo oscuro)

Secuencia de cableado

3-18, 11-25-14, 4-36-12, 13-17-26-8, 7-41, 27-35-37-40-42

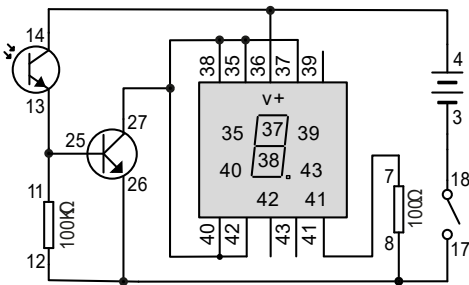


Complete todas las conexiones de cableado como se indica en la secuencia. Conecte el interruptor principal. Si hay suficiente luz en la habitación, sólo se encenderá el indicador de encendido de la pantalla. Cubra el sensor de luz y la pantalla mostrará la letra C. Si descubre el sensor de luz, la letra C desaparecerá..

12.30 Control de luces Pantalla LED de siete segmentos - E (Tipo de luz)

Secuencia de cableado

3-18, 41-7, 17-26-12-8, 11-13-25, 4-36-14, 27-35-38-37-40-42

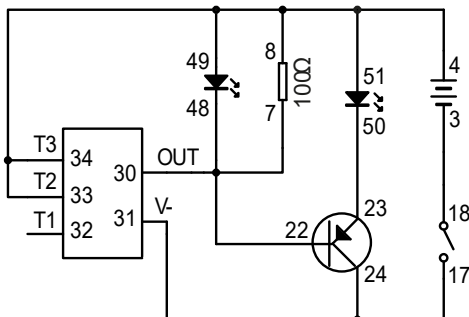


Complete todas las conexiones de cableado como se indica en la secuencia. Conecte el interruptor principal. Se encenderá el indicador de encendido y aparecerá la letra E en la pantalla. Si tapa el sensor de luz, sólo se encenderá el indicador de encendido. Si destapa el sensor de luz, se volverá a encender la letra E.

12.31 LEDs intermitentes

Secuencia de cableado

3-18, 8-4-51-49-33-34, 50-23, 7-22-30-48, 17-24-31

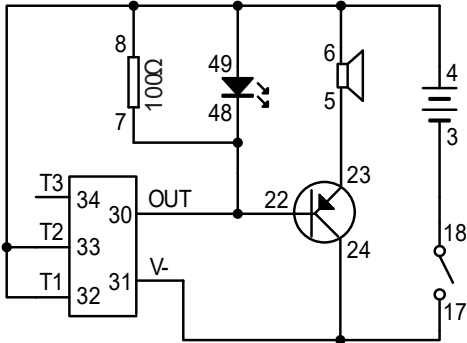


Complete todas las conexiones de cableado como se indica en la secuencia. Conecte el interruptor principal. A continuación, los LED parpadearán.

12.32 Sonido de ladrido de perro con LED intermitente

Secuencia de cableado

3-18, 4-6-8-32-33-49, 5-23, 7-22-30-48, 17-24-31

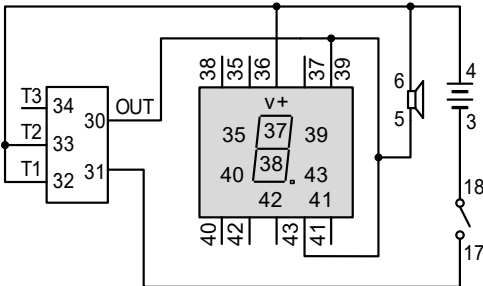


Complete todas las conexiones de cableado como se indica en la secuencia. Encienda el interruptor principal. El altavoz producirá el sonido de ladrido de perro y el LED parpadeará al ritmo del mismo.

12.33 Sonido de ladrido de perro y dígito "1" parpadeante

Secuencia de cableado

3-18, 4-6-36-32-33, 17-31, 30-39-43-5

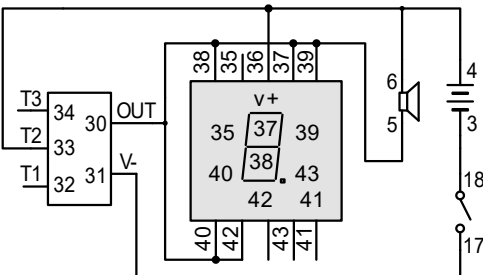


Complete todas las conexiones de cableado como se indica en la secuencia. Al encenderlo, el altavoz producirá el sonido de ladrido de perro. La pantalla también mostrará el dígito "1" y parpadeará al ritmo del mismo.

12.34 Cacareo del gallo y parpadeo de la cifra "2".

Secuencia de cableado

3-18, 4-6-36-33, 17-31, 5-30-37-38-39-40-42

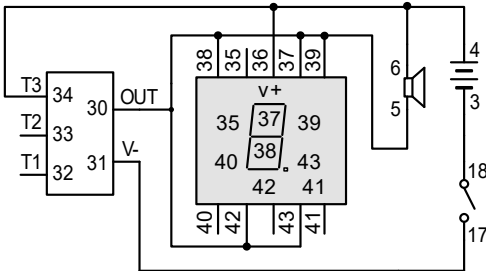


Complete todas las conexiones de cableado como se indica en la secuencia. Al encenderlo, el altavoz producirá el sonido del canto del gallo. La pantalla también mostrará el dígito "2" y parpadeará al ritmo del mismo.

12.35 Maullido de gato y dígito "3" intermitente

Secuencia de cableado

3-18, 4-6-36-34, 17-31, 30-37-39-38-42-43-5

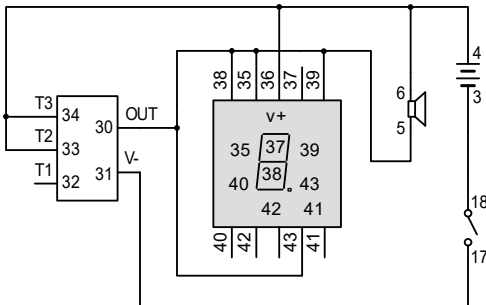


Complete todas las conexiones del cableado como se indica en la secuencia. Al encenderlo, el altavoz producirá un maullido de gato. La pantalla también mostrará el dígito "3" y parpadeará al ritmo del mismo.

12.36 Relincho de caballo y cifra "4" intermitente

Secuencia de cableado

3-18, 4-36-33-34-6, 17-31, 30-35-38-39-43-5

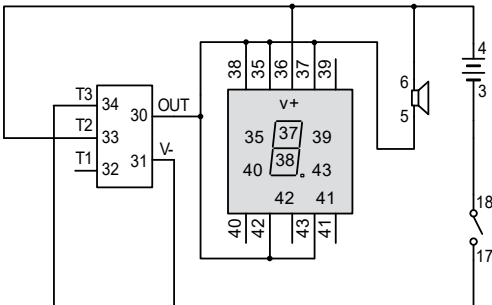


Complete todas las conexiones de cableado como se indica en la secuencia. Al encenderlo, el altavoz producirá relinchos de caballo. La pantalla también mostrará el dígito "4" y parpadeará al ritmo del mismo.

12.37 Chirrido de pájaro y parpadeo de la cifra "5".

Secuencia de cableado

3-18, 4-6-36-33, 17-31-34, 5-30-35-37-38-42-43

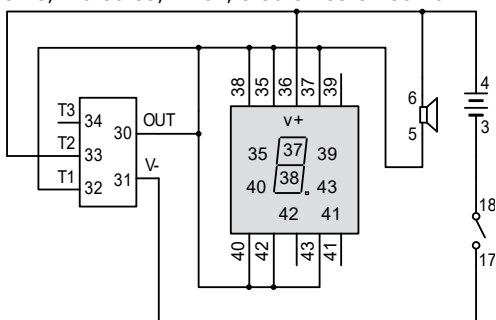


Complete todas las conexiones de cableado como se indica en la secuencia. Al encenderlo, el altavoz producirá el sonido del par de los pájaros. La pantalla también mostrará el dígito "5" y parpadeará al ritmo del mismo.

12.38 Graznido de pato y cifra "6" parpadeante

Secuencia de cableado

3-18, 4-6-36-33, 17-31, 5-30-32-35-37-38-40-42-43

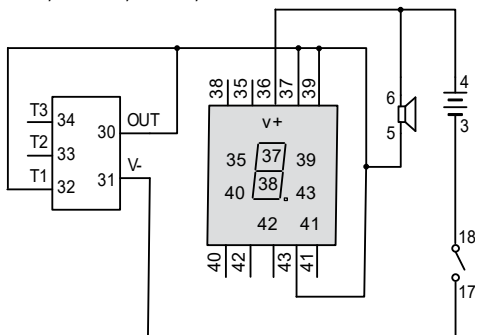


Complete todas las conexiones de cableado como se indica en la secuencia. Al encenderlo, el altavoz producirá un sonido de graznido de pato. La pantalla también mostrará el dígito "6" y parpadeará al ritmo del mismo.

12.39 Oveja berreando y dígito "7" parpadeando

Secuencia de cableado

3-18, 4-6-36, 17-31, 5-30-32-37-39-43

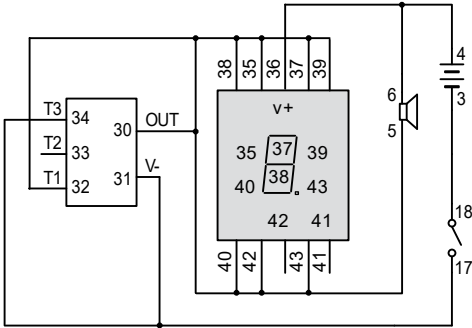


Complete todas las conexiones de cableado como se indica en la secuencia. Al encenderlo, el altavoz emitirá el sonido de las ovejas. La pantalla también mostrará el dígito "7" y parpadeará al ritmo del mismo.

12.40 Sonido de llamada de cuco y dígito "8" parpadeante

Secuencia de cableado

3-18, 4-6-36, 17-31-34, 5-30-32-35-37-38-39-40-42-43

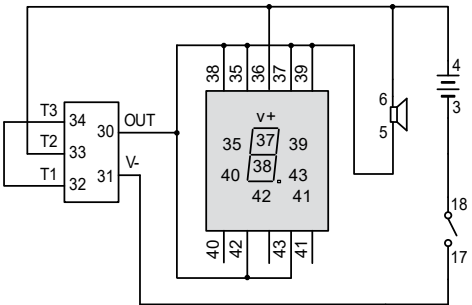


Complete todas las conexiones de cableado como se indica en la secuencia. Al encenderlo, el altavoz emitirá un sonido de cuco. La pantalla también mostrará el dígito "8" y parpadeará al ritmo del mismo.

12.41 Sonido de rana croando y dígito "9" parpadeando

Secuencia de cableado

3-18, 4-6-36-33, 32-34, 5-30-35-37-38-39-42-43, 17-31

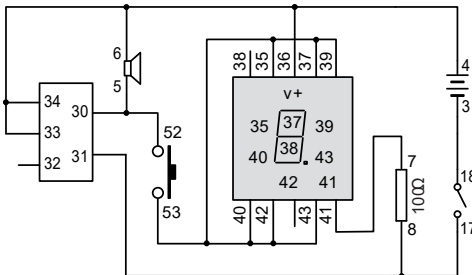


Complete todas las conexiones de cableado como se indica en la secuencia. Al encenderlo, el altavoz producirá un sonido de croar de rana. La pantalla también mostrará el dígito "9" y parpadeará al ritmo del mismo.

12.42 Control manual relincho del caballo con pulsador de control intermitente dígito "0"

Secuencia de cableado

3-18, 4-6-36-34-33, 5-30-52, 53-40-42-43-35-37-39, 41-7, 8-31-17

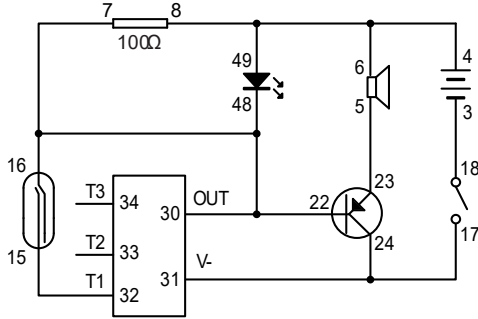


Complete todas las conexiones del cableado como se indica en la secuencia. Al encenderlo, el altavoz emitirá el relincho del caballo y el punto situado en la esquina inferior derecha de la pantalla se iluminará. A continuación, al pulsar el interruptor sin soltarlo, el dígito 0 se iluminará y parpadeará al ritmo del relincho del caballo.

12.43 Control magnético de ovejas con LED parpadeante

Secuencia de cableado

3-18, 17-24-31, 32-15, 16-7-30-22-48, 49-8-6-4, 5-23

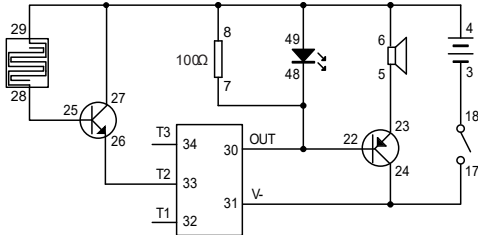


Complete todas las conexiones de cableado como se indica en la secuencia. Conecte el interruptor principal. Acceda al interruptor de láminas con el polo magnético. El altavoz producirá el sonido de la oveja berreando y el LED parpadeará al ritmo del sonido de la oveja berreando.

12.44 Control táctil del canto del gallo con LED parpadeante

Secuencia de cableado

3-18, 17-24-31, 30-7-22-48, 33-26, 28-25, 23-5, 29-27-8-49-6-4

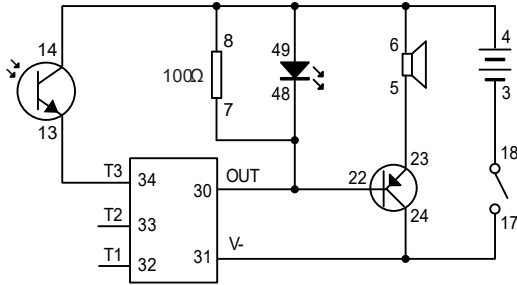


Complete todas las conexiones de cableado como se indica en la secuencia. Conecte el interruptor principal. Toque con el dedo la placa táctil. El altavoz producirá el sonido del canto del gallo y el LED parpadeará al ritmo del mismo. Tenga en cuenta que si no hay respuesta, puede que tenga que amortiguar el dedo e intentarlo de nuevo.

12.45 Control de luz sonido de maullido de gato con LED parpadeante

Secuencia de cableado

5-23, 22-48-7-30, 31-24-17, 18-3, 4-6-8-49-14, 13-34

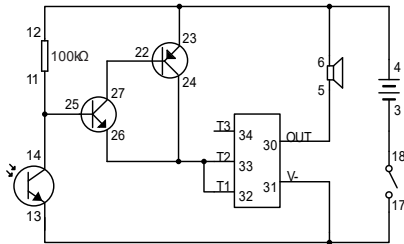


Complete todas las conexiones de cableado como se indica en la secuencia. Encienda el interruptor principal. Cuando la luz incida sobre el sensor de luz, el altavoz emitirá un maullido de gato y el LED parpadeará al ritmo del mismo.

12.46 Sonido de ladrido de perro activado en la oscuridad

Secuencia de cableado

3-18, 4-6-23-12, 5-30, 17-31-13, 24-26-33-32, 22-27, 11-14-25

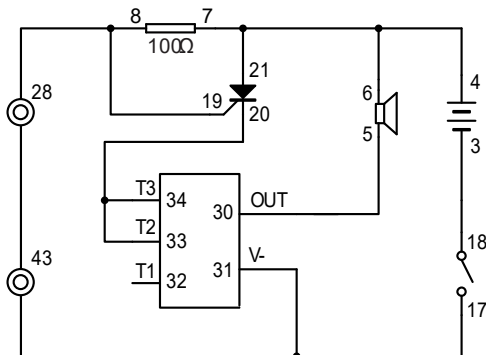


Complete todas las conexiones de cableado como se indica en la secuencia. Encienda el interruptor principal y cubra completamente el sensor de luz. Entonces podrá oír el ladrido del perro procedente del altavoz. Una vez que destapes el sensor de luz, el sonido de ladrido del perro se detendrá.

12.47 Alarma de seguridad basada en la desconexión del cableado

Secuencia de cableado

3-18, 17-43-31, 30-5, 4-6-21-7, 8-28-19, 20-33-34, 28-43

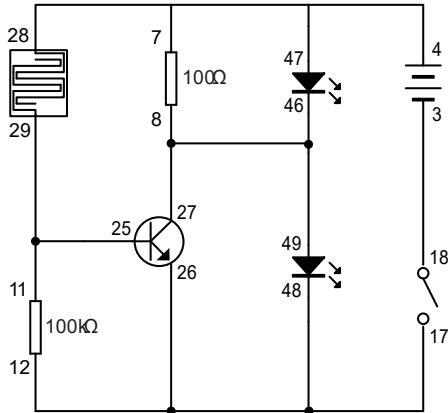


Complete todas las conexiones de cableado como se indica en la secuencia. Conecte el interruptor principal. No ocurre nada. Entonces, cuando desconecte el cable que conecta el muelle 28 al 43, iel altavoz producirá relinchos de caballo! Este circuito puede utilizarse como sistema de alarma. Por ejemplo, cuando alguien active la alarma, el relincho del caballo le avisará de la presencia de un intruso.

12.48 Alarma LED de nivel de agua

Secuencia de cableado

3-18, 4-7-28-47, 17-48-12-26, 8-27-49-46, 11-29-25

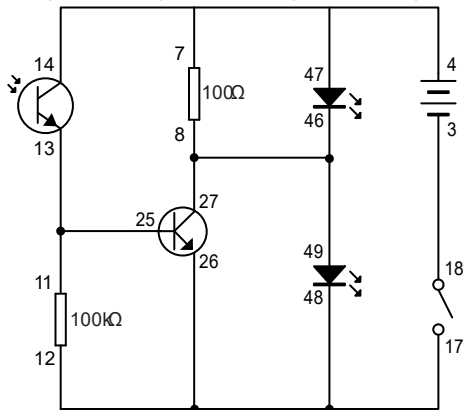


Complete todas las conexiones de cableado como se indica en la secuencia. Conecte el interruptor principal. Deje caer una gota de agua sobre la placa táctil. El LED multicolor se encenderá y el LED azul se apagará. Limpie el agua de la placa táctil. Se encenderá el LED azul y se apagará el LED multicolor. Este principio puede utilizarse para la advertencia del nivel de agua. Coloque un circuito similar en el lugar donde se necesite supervisar el nivel de agua. Cuando el nivel de agua supere el nivel de advertencia, el LED multicolor se encenderá y el LED azul se apagará. Cuando el nivel del agua esté por debajo del nivel de advertencia, el LED multicolor se apagará y el LED azul se encenderá.

12.49 Indicador de intensidad luminosa

Secuencia de cableado

3-18, 4-7-14-47, 17-12-26-48, 8-27-46-49, 11-13-25



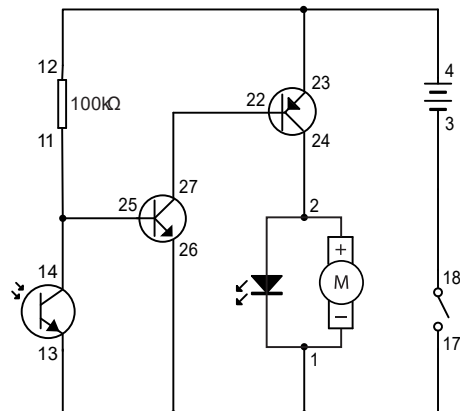
Complete todas las conexiones de cableado como se indica en la secuencia. Conecte el interruptor principal. Cuando incida luz sobre el sensor de luz, se encenderá el LED multicolor, pero no el LED azul. Cubra completamente el sensor de luz. Al no haber luz, el LED multicolor se apagará y el LED azul se

encenderá. Cuando no haya nada cubriendo el sensor de luz, el LED multicolor se encenderá y el LED azul se apagará de nuevo. Puede utilizarse como indicador de la intensidad de la luz.

12.50 Luz LED giratoria activada en la oscuridad

Secuencia de cableado

3-18, 4-23-12, 26-17-1-13, 24-2, 22-27, 11-14-25

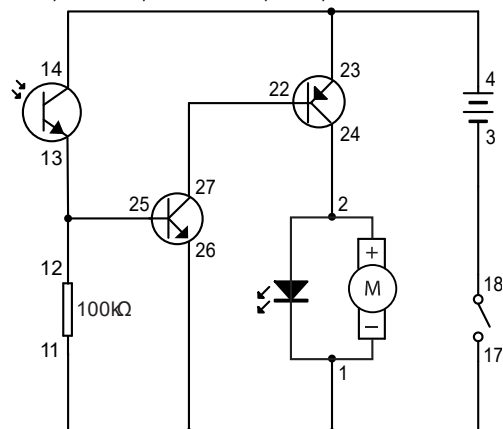


Complete todas las conexiones de cableado como se indica en la secuencia. Conecte el interruptor principal. Cubra el sensor de luz, y el LED giratorio se encenderá. Destape el sensor de luz, y el LED giratorio se apagará.

12.51 Luz LED giratoria de control

Secuencia de cableado

3-18, 4-23-14, 26-17-1-11, 24-2, 22-27 12-13-25



Complete todas las conexiones de cableado como se indica en la secuencia. Encienda el interruptor principal y el LED giratorio se encenderá. Cuando el sensor de luz esté tapado, el LED giratorio se apagará. La luz es el interruptor del LED giratorio en este circuito.

© AVISO DE COPYRIGHT

El copyright de este manual es propiedad de Velleman nv. Reservados todos los derechos en todo el mundo. Ninguna parte de este manual puede ser copiada, reproducida, traducida o reducida a ningún medio electrónico o de otro tipo sin el consentimiento previo por escrito del titular de los derechos de autor.

BEDIENUNGSANLEITUNG

1. Einführung



An alle Einwohner der Europäischen Union Wichtige Umweltinformationen zu diesem Produkt

Dieses Symbol auf dem Gerät oder der Verpackung weist darauf hin, dass die Entsorgung des Geräts nach seinem Lebenszyklus die Umwelt schädigen könnte. Entsorgen Sie das Gerät (oder die Batterien) nicht als unsortierten Siedlungsabfall, sondern führen Sie es einem spezialisierten Unternehmen zum Recycling zu. Geben Sie das Gerät bei Ihrem Händler oder bei einem örtlichen Recyclingdienst ab. Beachten Sie die örtlichen Umweltvorschriften.

Wenden Sie sich im Zweifelsfall an Ihre örtliche Abfallentsorgungsbehörde.

Danke, dass Sie sich für Velleman entschieden haben! Bitte lesen Sie das Handbuch sorgfältig durch, bevor Sie das Gerät in Betrieb nehmen. Sollte das Gerät beim Transport beschädigt worden sein, installieren oder benutzen Sie es nicht und wenden Sie sich an Ihren Händler.

2. Sicherheitshinweise



Lesen und verstehen Sie diese Anleitung und alle Sicherheitshinweise, bevor Sie das Gerät benutzen.



Verschluckungsgefahr durch Kleinteile. Nicht für Kinder unter 3 Jahren geeignet.

8+

Empfohlenes Alter: +.

- Dieses Produkt ist für die Verwendung zu Bildungszwecken in Schulen und anderen pädagogischen Inhalten unter Aufsicht eines erwachsenen Lehrers bestimmt, z. B. für wissenschaftliche Geräte.
- Schützen Sie das Gerät vor Regen, Feuchtigkeit, Spritzern und tropfenden Flüssigkeiten, Stößen und Missbrauch, extremer Hitze und Staub.

3. Warnung

Beaufsichtigung und Unterstützung durch Erwachsene ist erforderlich.

Dieses Gerät ist nur für Kinder ab 8 Jahren geeignet.

Nicht geeignet für Kinder unter 3 Jahren wegen kleiner Teile und Komponenten - VERSTECKUNGSGEFAHR durch Verschlucken.

Lesen und befolgen Sie vor dem Gebrauch alle Anweisungen im Handbuch.

Dieses Spielzeug enthält kleine Teile und funktionelle scharfe Stellen an den Komponenten. Von Kindern unter 3 Jahren fernhalten.

Es werden 2 x Batterien der Größe AA benötigt (nicht im Lieferumfang enthalten).

Bitte bewahren Sie die Informationen und dieses Handbuch zum späteren Nachschlagen auf.

Hinweise für Eltern sind enthalten und müssen beachtet werden.

Nicht in der Nähe des Ohrs verwenden! Fehlgebrauch kann das Gehör schädigen.

4. Vorsicht

Bevor Sie ein Experiment starten, überprüfen Sie bitte, ob alle von Ihnen vorgenommenen Kabelverbindungen korrekt sind, bevor Sie die Batterien einlegen und das Gerät einschalten, da dies zu einer Beschädigung der Komponenten oder der Leiterplatte führen kann.

Vergewissern Sie sich nach Beendigung des Experiments, dass die Batterien abgeklemmt sind, und schalten Sie das Gerät aus, bevor Sie die Drähte entfernen.

Verwenden Sie für das Experiment keine anderen Komponenten oder Teile als die, die mit diesem Kit geliefert wurden.

Das Spielzeug darf nicht an mehr als die empfohlene Anzahl von Netzteilen angeschlossen werden.

Die Haare können sich verfangen, wenn sich der Kopf des Kindes zu nahe an der motorisierten Einheit dieses Spielzeugs befindet.

Dieses Spielzeug enthält funktionsfähige scharfe Stellen an Bauteilanschlüssen und Drähten, die eine vorsichtige Handhabung erfordern.

5. Allgemeine Leitlinien

- Siehe die Velleman® Service- und Qualitätsgarantie auf den letzten Seiten dieses Handbuchs.
- Alle Veränderungen am Gerät sind aus Sicherheitsgründen verboten. Schäden, die durch vom Benutzer vorgenommene Änderungen am Gerät verursacht werden, fallen nicht unter die Garantie.
- Verwenden Sie das Gerät nur für den vorgesehenen Zweck. Bei nicht bestimmungsgemäßer Verwendung des Geräts erlischt die Garantie.
- Schäden, die durch Nichtbeachtung bestimmter Richtlinien in diesem Handbuch verursacht werden, fallen nicht unter die Garantie, und der Händler übernimmt keine Verantwortung für daraus resultierende Mängel oder Probleme.
- Weder die Velleman group nv noch ihre Händler können für Schäden (außergewöhnliche, zufällige oder indirekte) jeglicher Art (finanziell, physisch...) verantwortlich gemacht werden, die aus dem Besitz, der Verwendung oder dem Versagen dieses Produkts entstehen.
- Bewahren Sie dieses Handbuch zum späteren Nachschlagen auf.

6. Beschreibung des Produkts

Wir freuen uns, Sie zum Ausprobieren dieses gebrauchsfertigen elektronischen Schaltkreis-Bausatzes begrüßen zu dürfen, der für Kinder ab 8 Jahren geeignet ist. "Du wirst erstaunt sein, was du alles lernen kannst, denn das Experiment ist ein realistisches Konzept von Elektronik und Elektrizität. Es wird dir definitiv ermöglichen, etwas über die notwendigen elektronischen Komponenten, Schaltkreise und Theorien sowie die grundlegenden elektronischen Prinzipien zu lernen - Elektrizität, Spannung, Strom, Widerstand, Magnetismus, andere elektrische Schaltkreise und Theorien.

Es ist in Ordnung, wenn Sie keine Kenntnisse über Elektronik haben und nicht ganz verstehen, wie alle Experimente funktionieren. Wenn du erst einmal angefangen hast, kannst du dein Verständnis durch Experimentieren aufbauen und vielleicht einige interessante Experimente selbst ausprobieren.

Dieser elektronische Schaltkreisbausatz enthält mehr als 50 Experimente und ist so konzipiert, dass die Hauptplatine alle relevanten elektronischen Komponenten enthält. Alles, was du tun musst, ist einfach die Drähte entsprechend der Verdrahtungsreihenfolge jedes Experiments anzuschließen und die Schritte nacheinander zu befolgen. Einmal angeschlossen, wird der Stromkreis aktiviert und funktioniert.

Denken Sie daran, dass es sich nicht um ein einmaliges Experiment handelt. Je mehr Zeit Sie mit dem Aufbau der Experimente verbringen, desto mehr Wissen werden Sie gewinnen. Du wirst dich nie langweilen, sondern immer wieder neue, spannende Experimente entdecken, und das über Jahre hinweg.

EXPERIMENTE

1. Einfache LED-Schaltung
2. drehendes LED-Licht
3. die Funktion des Reed-Schalters
4. die Demonstration von Widerstand und Strom
5. in Reihe geschaltete Widerstände
6. parallel geschaltete Widerstände
7. die Funktion der Tastplatte
8. eine einfache Demonstration einer Funktion des PNP-Transistors
9. eine einfache Demonstration einer Funktion des NPN-Transistors
10. zwei LEDs in Parallelschaltung
11. drei LEDs in Parallelschaltung
12. LED und spinnende LED mit einem einzigen Schalter

13. LED und Spinning-LED mit separaten Schaltern
14. grundlegende Funktionsweise der LED-Schaltung
15. spinnendes LED-Licht im Vorausschaltung Betrieb von LEDs
16. LEDs Kombination
17. die Funktion einer Diode
18. eine einfache Demonstration des Lichtsensors
19. ein praktisches Beispiel: Lichtgesteuerte LED
20. ein praktisches Beispiel: Dunkelheitsgesteuerte LED
21. die Demonstration einer einfachen Funktion von SCR
22. ein praktisches Beispiel für SCR
23. digitale Segment-LED mit Anzeige "1" -
24. digitale Segment-LED mit Anzeige "2" -
25. digitale Segment-LED mit Anzeige "8" -
26. digitale Segment-LED, die "F" anzeigt.
27. digitale Segment-LED-Umschaltung zwischen "1" und "8"
28. digitale Segment-LED-Umschaltung zwischen "I", "L", "F" und "E" -
29. sieben-Segment-LED-Anzeige zur Lichtsteuerung - C (Dark Type)
30. lichttechnische Sieben-Segment-LED-Anzeige - E (Light Type)
31. blinkende LEDs
32. bellendes Hundegeräusch mit blinkender LED
33. bellendes Hundegeräusch und blinkende Ziffer "1"
34. krähender Hahn und blinkende Ziffer "2" -
35. Katze miauend und blinkende Ziffer "3"
36. wieherndes Pferd und blinkende Ziffer "4"
37. zwitschernder Vogel und blinkende Ziffer "5"
38. Duck Quacking Sound und blinkende Ziffer "6"
39. Schafe blöken und blinkende Ziffer "7"
40. Kuckucksruf und blinkende Ziffer "8"
41. quakender Frosch und blinkende Ziffer "9"
42. manuelle Steuerung Pferd Wiehern mit Druckschaltersteuerung blinkende Ziffer "0"
43. magnetische Steuerung Schaf blöken Ton mit blinkender LED
44. berührungsgesteuerter krähender Hahn mit blinkender LED
45. light control Katze miauen Ton mit blinkender LED
46. Dunkelheit aktiviert Hundebellen Ton
47. sicherheitsrelevanter Alarm bei Unterbrechung der Verdrahtung
48. Wasserstands-LED-Alarm
49. lichtintensitätsanzeige
50. bei Dunkelheit aktiviertes, sich drehendes LED-Licht
51. drehende LED-Leuchte mit Lichtsteuerung

7. Glossar

Verstärker - Eine elektronische Schaltung, die das an sie gesendete Signal verstärkt. Die verstärkende Komponente kann ein Transistor, eine Vakuumröhre oder ein entsprechendes magnetisches Gerät sein.

Batterie - Eine Energiequelle. Sie enthält Chemikalien, die eine chemische Reaktion eingehen, um Strom zu erzeugen, wenn ein Stromkreis angeschlossen wird.

Kapazität - Ein Maß für die Kapazität eines Kondensators zur Speicherung elektrischer Ladung.

Kondensator - Ein Gerät, das aus zwei Leitern besteht, die durch einen Isolator getrennt sind. Er dient zur Speicherung elektrischer Ladung oder als Filter in einem Stromkreis.

IC (Integrated Circuit) - Ein kleiner elektronischer Baustein aus Halbleitermaterial, der für eine Vielzahl von Geräten verwendet wird, darunter Mikroprozessoren, elektronische Geräte und Automobile.

Lichtsensor - Es gibt verschiedene Arten von Lichtsensoren. Der hier verwendete ist ein Fototransistor. Wenn Licht auf ihn fällt, wird er wie ein Schalter geschaltet und Strom fließt durch ihn.

Diode - Ein Bauteil, das in elektrischen Schaltkreisen verwendet wird, um einen elektrischen Strom in eine Richtung fließen zu lassen und ihn in der umgekehrten Richtung zu sperren.

Mikrofon - Ein Gerät, das Schall in ein elektrisches Signal umwandelt.

Motor - Ein Gerät, das elektrische Energie in mechanische Bewegung umwandelt.

LED (Light Emitting Diode) - Eine Diode emittiert Licht, wenn Strom durch sie fließt.

Widerstand - Ein Maß für den Grad des Widerstands, den ein Objekt einem elektrischen Strom entgegensetzt, der es durchfließt.

Widerstand - Ein Gerät, das einen Widerstand besitzt.

Lautsprecher - Ein Gerät, das elektrische Signale in Schall umwandelt.

Schalter - Ein Gerät zum Öffnen und Schließen einer Stromquelle in einem Stromkreis.

Transistor - Ein Halbleiterbauelement, das ein Signal verstärkt und einen Stromkreis öffnet oder schließt.

Wahrheitstabelle - Es handelt sich um eine mathematische Tabelle, die zur logischen Berechnung der Werte einer logischen Erklärung und als Entscheidungsverfahren verwendet wird.

Variabler Widerstand - Eine Art von Widerstand und ein Gerät mit einstellbarem Widerstand in der elektronischen / elektrischen Schaltung.

Draht - Ein Leiter, der Elektrizität leitet. Das Anschließen eines Drahtes ist wie das Bereitstellen eines Pfades, durch den Strom fließen kann.

Reed-Schalter: Dies ist ein magnetischer Schalter, der im Inneren Metallzungen enthält. Wenn sich ein Magnet in der Nähe befindet, führt die Anziehungskraft dazu, dass die Zungen zusammenkommen. Dadurch werden sie in Kontakt gebracht und der Weg wird verbunden.

Berührungsplatte: Es handelt sich um eine Platte mit zwei Teilen aus leitenden Oberflächen. Die beiden Oberflächen sind nicht miteinander verbunden, sondern es befindet sich ein kleiner Spalt zwischen ihnen. Durch den kleinen Spalt kann kein Strom fließen. Wenn man sie mit dem Finger berührt oder mit einem Wassertropfen beträufelt, wird der kleine Spalt gefüllt und Strom kann hindurchfließen (obwohl der Widerstand ziemlich groß ist, weil der Widerstand von Wasser ziemlich groß ist).

Buzzer: Ein Gerät, das einen einfachen Ton erzeugen kann

SCR: Ein siliziumgesteuerter Gleichrichter (SCR) ist so etwas wie ein Verkehrspolizist für Strom in elektronischen Geräten. Er lässt den Strom in eine Richtung fließen und wirkt wie ein Tor, das sich öffnet und schließt. Es handelt sich um eine besondere Art von Schalter, der dazu beiträgt, den Strom zu steuern und sicherzustellen, dass alles reibungslos funktioniert.

8. Informationen zur Batterie

Verwenden Sie 2 x 1,5 V AA-Batterien (nicht im Lieferumfang enthalten).

Um die beste Leistung zu erzielen, sollten Sie immer frische Batterien verwenden und die Batterien herausnehmen, wenn Sie sie nicht benutzen.

Die Batterien müssen mit der richtigen Polarität eingesetzt werden.

Nicht wiederaufladbare Batterien dürfen nicht wieder aufgeladen werden.

Wiederaufladbare Batterien dürfen nur unter Aufsicht von Erwachsenen geladen werden.

Wiederaufladbare Batterien müssen vor dem Aufladen aus dem Spielzeug entfernt werden.

Verschiedene Batterietypen oder neue und gebrauchte Batterien dürfen nicht gemischt werden.

Erschöpfte Batterien sind aus dem Spielzeug zu entfernen.

Die Versorgungsklemmen dürfen nicht kurzgeschlossen werden.

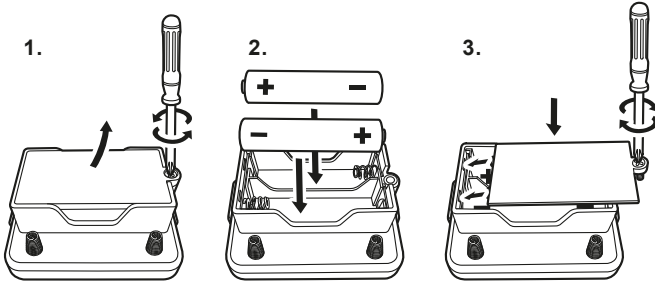
Es dürfen nur Batterien desselben oder eines gleichwertigen Typs verwendet werden.

Werfen Sie die Batterien nicht ins Feuer.

Mischen Sie nicht alte und neue Batterien.

Mischen Sie keine Alkali-, Kohle-Zink- und wiederaufladbaren Batterien.

Zum Einlegen der Batterien schrauben Sie bitte den Batteriefachdeckel mit einem Schraubendreher ab. Legen Sie die benötigten Batterien entsprechend der Batteriepolareität mit + und - in der richtigen Position ein und schrauben Sie dann den Batteriefachdeckel wieder fest, um das Batteriefach zu schließen.



9. Verdrahtungsreihenfolge und Anschluss

Vergewissern Sie sich, dass alle Drähte korrekt an die nummerierten Federklemmen der Hauptplatineinheit angeschlossen sind, wie in der Verdrahtungsreihenfolge der einzelnen Versuche angegeben. Biegen Sie die Federklemme um und stecken Sie den freiliegenden, glänzenden Teil des Drahtes in die Federklemme. Vergewissern Sie sich, dass der Draht fest mit der Federklemme verbunden ist.

Wenn die Verdrahtungsreihenfolge beispielsweise 4-33, 1-10-32-35, 2-12 lautet, dann schließen Sie einen Draht zwischen Federklemme 4 und 33 an, dann einen Draht zwischen Federklemme 1 und 10, einen Draht zwischen Federklemme 10 und 32, einen Draht zwischen Federklemme 32 und 35 und schließlich einen Draht zwischen Federklemme 2 und 12. Dies ist nur ein Beispiel und stellt keine exakte Schaltung im Experiment dar.

Wenn der Stromkreis nicht funktioniert, können Sie die Verbindung zwischen Draht und Federklemme überprüfen, ob sie nicht gut verbunden ist oder ob ein isolierter Kunststoffteil des Drahtes in die Federklemme eingeführt wurde.

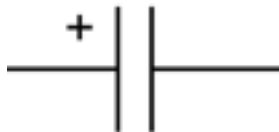
10. Merkmal der Komponente

In diesem Experimentierkasten lernst du die Grundlagen der Schaltungstheorie, die Eigenschaften von Kondensator, IC (Integrated Circuit), LED (Light Emitting Diode), Lichtsensor, Widerstand und Transistor. Du kannst lernen, dass, wenn Transistor und Kondensator zusammenarbeiten, verschiedene Licht- und Toneffekte in verschiedenen Schaltkreisen erzeugt werden können.

Ein Kondensator ist ein Gerät, das aus zwei Leitern besteht, die durch einen Isolator getrennt sind. Er dient zur Speicherung elektrischer Ladung oder als Filter in einem Stromkreis. Er ist ein häufig verwendetes Bauteil in elektronischen und elektrischen Schaltkreisen als Energiespeicher oder als Filtergerät zum Herausfiltern von elektronischen Störsignalen oder unbrauchbaren Frequenzen. Es gibt verschiedene Arten von Kondensatoren, die für unterschiedliche elektronische/elektrische Schaltkreisanwendungen konzipiert sind.



Elektrolytkondensator



Schaltkreissymbol

IC (Integrated Circuit) ist ein kleines elektronisches Gerät, das aus Halbleitern besteht und für eine Vielzahl von Geräten verwendet wird, darunter Mikroprozessoren, elektronische Geräte und Automobile. IC werden aus einer großen Anzahl von Transistoren auf einem "Chip" (Silizium) hergestellt. Sie sind heute ein wichtiges und häufig verwendetes Bauteil in einer Vielzahl von Anwendungen, von Spielzeug über Haushaltsprodukte bis hin zu modernsten Geräten.



Integrierte Schaltung

LED (Light Emitting Diode) ist eine Diode, die Licht aussendet, wenn elektrischer Strom durch sie fließt. LED hat verschiedene Lichtfarben, die davon abhängen, welche Art von halbleitenden Materialien verwendet werden. Sie werden häufig in Haushalts- und Fahrzeugbeleuchtungsgeräten verwendet.

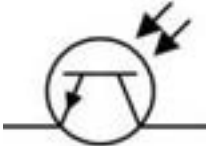


LED (Licht emittierende Diode)

Schaltkreis-Symbol



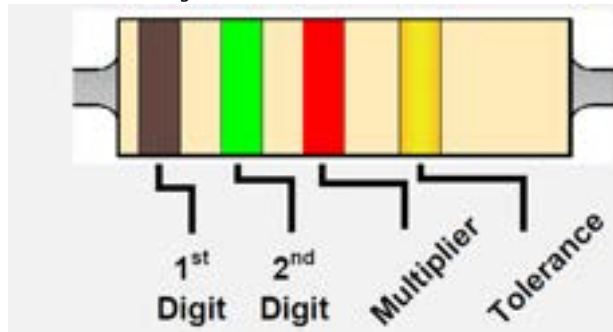
Ein Lichtsensor ist ein Gerät, das auf Licht reagiert. Es gibt verschiedene Arten von Lichtsensoren. Der hier verwendete ist ein Fototransistor. Wenn kein Licht vorhanden ist, kann kein elektrischer Strom durch ihn fließen. Er ist also wie ein Schalter, der ausgeschaltet ist. Wenn Licht auf ihn fällt, kann elektrischer Strom durch ihn fließen. Er ist dann wie ein Schalter, der eingeschaltet ist. Auf diese Weise lässt sich ein Lichtregelkreis aufbauen.



Schaltkreissymbol

Bei Widerständen werden verschiedenfarbige Ringe verwendet, um den Wert (Widerstand) darzustellen. Der 1. und 2. Ring stellen die Ziffer dar. Der 3. Ring stellt den Multiplikator dar, wie in der Tabelle gezeigt. Der 4. Ring steht für die Toleranz, d. h. die Genauigkeit des Widerstands. Beispiel: Die Farbringe sind Braun, Rot, Braun und Gold, was einem Widerstand von 120 Ohm entspricht, Toleranz 5% (Ω).

Farbkennzeichnung Code

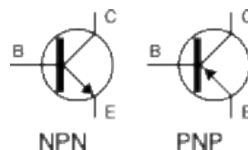


Farbe	1.	2.	3 rd - Multiplikator	Toleranz
Schwarz	0	0	x 1	
Braun	1	1	x 10	
Rot	2	2	x 100	
Orange	3	3	x 1000	
Gelb	4	4	x 10000	
Grün	5	5	x 100000	
Blau	6	6	x 1000000	
Lila	7	7		
Grau	8	8		
Weiß	9	9		
Braun				+/- 1%
Rot				+/- 2%
Gold			x 0.1	+/- 5%
Silber			x 0.01	+/- 10%

Ein Transistor ist ein Halbleiterbauelement, das zur Verstärkung eines Signals und zum Öffnen oder Schließen eines Schaltkreises verwendet wird. Es gibt zwei Arten von Transistoren, nämlich **NPN** und **PNP**, mit ähnlichen Schaltsymbolen. Der Transistor ist ein grundlegendes Bauelement, das häufig in modernen elektronischen Geräten verwendet wird. Er hat die schnellste Reaktionszeit und die genaueste Wirkung als Verstärker und Schaltgerät und kann als einzelnes Gerät/Komponente oder als Teil einer integrierten Schaltung (IC) fungieren. ICs bestehen aus über tausend bis Millionen Transistoren.



Transistor



NPN

PNP

Schaltkreis-

Symbol

Wenn du die obigen Informationen bereits gelesen hast und mehr über elektrische Schaltkreise und die Nützlichkeit der Komponenten erfahren möchtest, dann lass uns die folgenden Experimente durchführen.

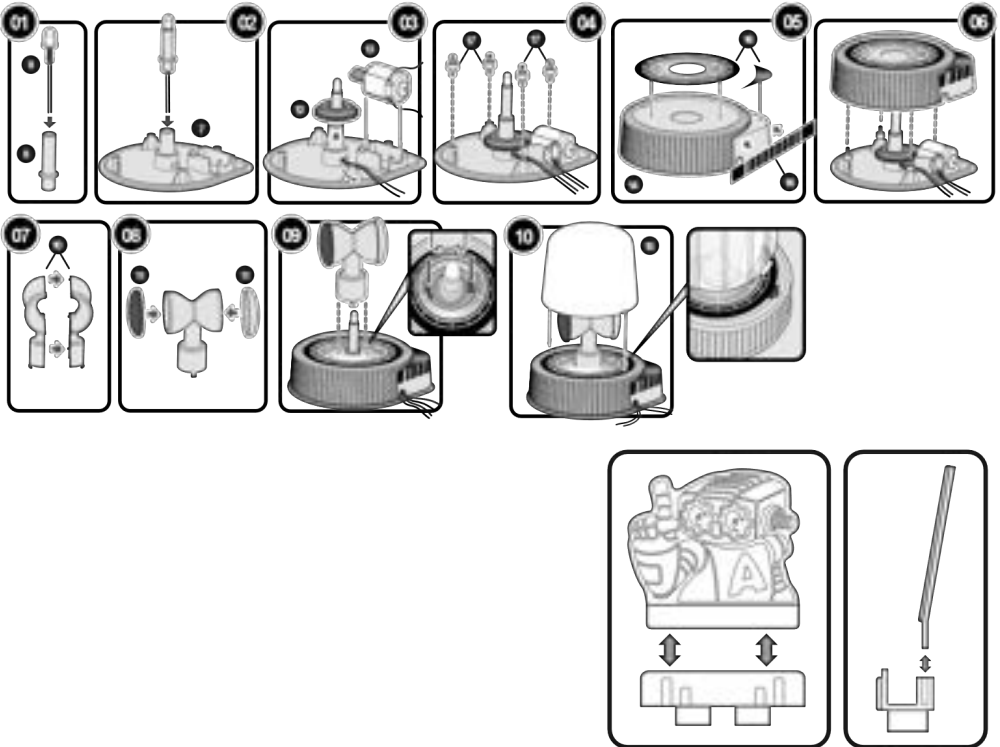
Der Motor ist ein Gerät, das bei Stromzufuhr eine Drehbewegung erzeugt. In Analogie dazu ist die Batterie wie eine Pumpe, die Wasser durch die Pfähle (Drähte) pumpt. Wenn ein Stromkreis angeschlossen ist, kann Strom durch ihn fließen. Die fließende Elektrizität wird als Strom bezeichnet. Ein Strom ist der Fluss von elektrischen Ladungen. Die Stromstärke ist die Menge der elektrischen Ladung, die in einer Sekunde durch den Draht fließt.

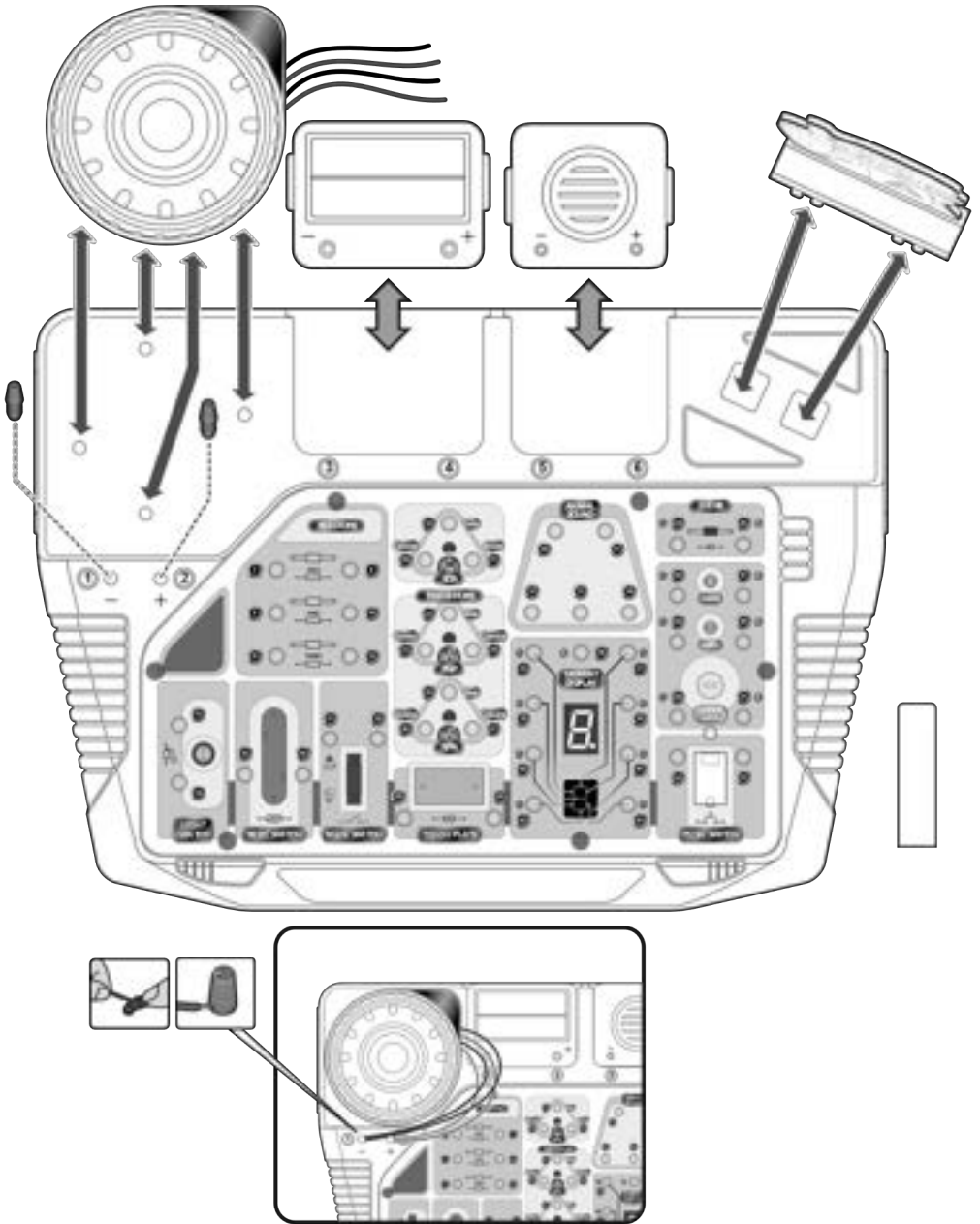
Ein weiterer gängiger Begriff, den wir oft über Elektrizität hören, ist die Spannung. Die Spannung bezieht sich auf die elektrische Energie pro Ladungseinheit. Sie ist die elektrische Energie, die jede Einheitsmenge an elektrischer Ladung trägt.



11. Zusammenbau

Sich drehendes LED-Licht:



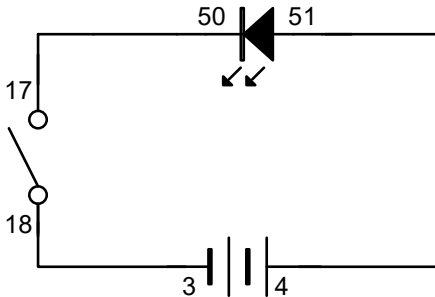


12. Experimente

12.1 Einfache LED-Schaltung

Verdrahtungsreihenfolge

4-51, 50-17, 18-3



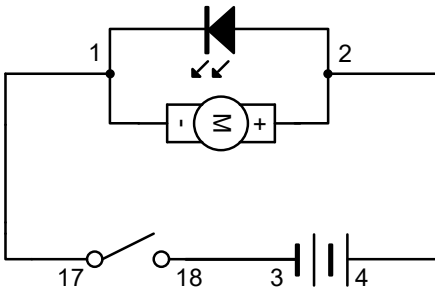
Schließen Sie alle Kabelverbindungen wie in der Reihenfolge angegeben an. Wenn Sie das Gerät einschalten, leuchtet die LED auf. Wenn Sie das Gerät ausschalten, erlischt die LED.

Sie können selbst eine andere LED verwenden. Sehen Sie sich einfach den Schaltplan an und schließen Sie eine andere LED auf die gleiche Weise an. Verwechseln Sie nur nicht den positiven (+) und negativen (-) Pol. Sonst wird die LED nicht leuchten.

12.2 Sich drehendes LED-Licht

Verdrahtungsreihenfolge

4-2, 1-17, 18-3

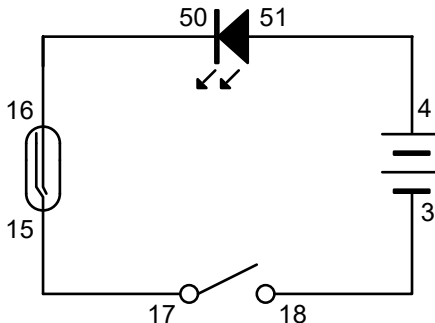


Schließen Sie alle Kabelverbindungen wie in der Reihenfolge angegeben an. Schalten Sie den Hauptschalter ein. Die Spinning-LED leuchtet auf und dreht sich!

12.3 Funktion des Reed-Schalters

Verdrahtungsreihenfolge

4-51, 50-16, 15-17, 18-3

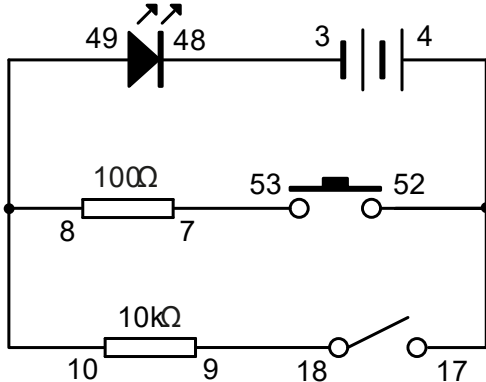


Schließen Sie alle Kabelverbindungen wie in der Reihenfolge angegeben an. Schalten Sie den Hauptschalter ein. Greifen Sie mit dem Magnetpol auf den Reedschalter zu. Die LED leuchtet auf, wenn der Stromkreis angeschlossen ist. Bewegen Sie den Magnetpol weg, wird der Stromkreis unterbrochen und die LED erlischt.

12.4 Demonstration von Widerstand und Strom

Verdrahtungsreihenfolge

48-3, 4-52-17, 18-9, 10-49-8, 7-53

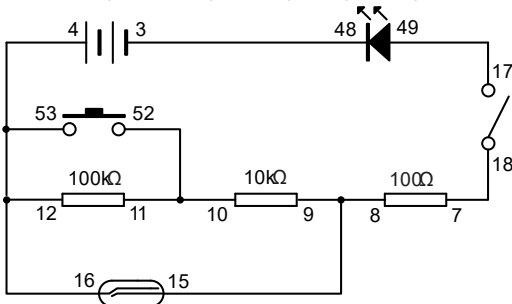


Vervollständigen Sie alle Verdrahtungsverbindungen wie in der Reihenfolge angegeben. Schalten Sie den Hauptschalter ein. Die LED leuchtet schwach auf. Schalten Sie den Hauptschalter aus, um ihn zu deaktivieren. Drücken Sie nun den Druckschalter. Die LED leuchtet nun heller auf. Das liegt daran, dass der Pfad des Hauptschalters einen größeren Widerstand hat. Der Strom durch diesen Pfad ist also geringer, und die LED leuchtet daher weniger hell. Auf der anderen Seite hat der Pfad des Druckschalters einen kleineren Widerstand. Der Strom durch diesen Pfad ist also größer, und die LED ist heller.

12.5 Widerstände in Reihenschaltung

Verdrahtungsreihenfolge

4-12-16-53, 52-11-10, 9-15-8, 7-18, 17-49, 48-3

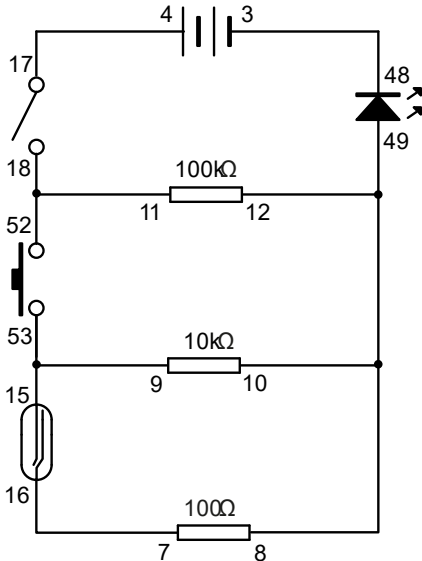


Vervollständigen Sie alle Verdrahtungsverbindungen wie in der Reihenfolge angegeben. Schalten Sie den Hauptschalter ein. Der Strom von den Batterien muss durch 3 Widerstände fließen, daher leuchtet die LED nur sehr schwach oder scheinbar gar nicht. Drücken Sie den Druckschalter. Diesmal muss der Strom nur durch 2 Widerstände fließen, so dass die LED heller leuchtet als zuvor. Betätigen Sie den Reed-Schalter mit dem Magnetpol. Diesmal muss der Strom nur noch durch einen Widerstand fließen, so dass die LED noch heller leuchtet. In Analogie dazu ist ein Widerstand wie ein Hindernis. Je weniger Hindernisse in einem Stromkreis vorhanden sind, desto mehr Strom kann hindurchfließen.

12.6 Widerstände in Parallelschaltung

Verdrahtungsreihenfolge

4-17, 18-11-52, 53-9-15, 16-7, 8-10-12-49, 48-3

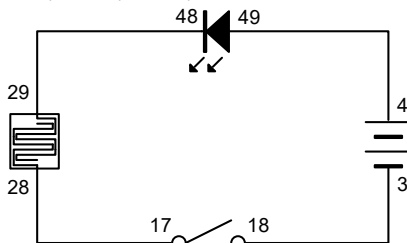


Vervollständigen Sie alle Verdrahtungsverbindungen wie in der Reihenfolge angegeben. Schalten Sie den Hauptschalter ein. Der Strom von den Batterien fließt durch den 100kΩ-Widerstand, um die LED zum Leuchten zu bringen. Die LED leuchtet sehr schwach oder scheinbar überhaupt nicht. Drücken Sie den Druckschalter. Jetzt ist ein weiterer Pfad verfügbar. Obwohl sich in diesem Pfad ein 10kΩ-Widerstand befindet, ist dies immer noch ein zusätzlicher Pfad, durch den der Strom fließen kann. Daher wird mehr Strom durch die LED fließen und sie heller leuchten lassen! Lassen Sie den Druckschalter nicht los. Greifen Sie mit dem Magnetpol auf den Reed-Schalter zu. Jetzt ist noch ein zusätzlicher Pfad verfügbar! Es gibt nun insgesamt 3 Pfade, durch die der Strom fließen kann und die LED leuchtet hell! Obwohl dieses Mal auch 3 Widerstände in der Schaltung sind, leuchtet die LED hell. Da die Widerstände parallel geschaltet sind, ergibt sich ein anderes Ergebnis.

12.7 Funktion der Tastplatte

Verdrahtungsreihenfolge

4-49, 48-29, 28-17, 18-3

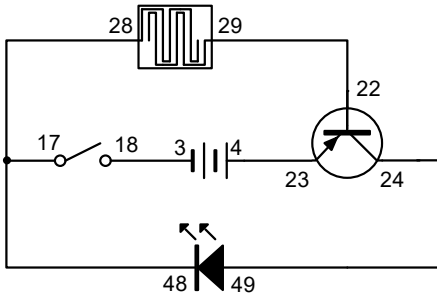


Vervollständigen Sie alle Verdrahtungsverbindungen wie in der Reihenfolge angegeben. Schalten Sie den Hauptschalter ein. Befeuchten Sie Ihren Finger mit Wasser und berühren Sie die Tastplatte. Die LED leuchtet sehr schwach auf. Dies zeigt an, dass Wasser einen großen Widerstand hat und daher nur eine geringe Menge an elektrischem Strom durchfließen kann. Wenn Sie einen Tropfen Salzwasser auf die Berührungsplatte geben, leuchtet die LED heller! Das liegt daran, dass Salzwasser ein besserer Leiter ist als normales Wasser, so dass mehr Strom hindurchfließen kann.

12.8 Eine einfache Demonstration einer Funktion des PNP-Transistors

Verdrahtungsreihenfolge

4-23, 24-49, 22-29, 28-48-17, 18-3

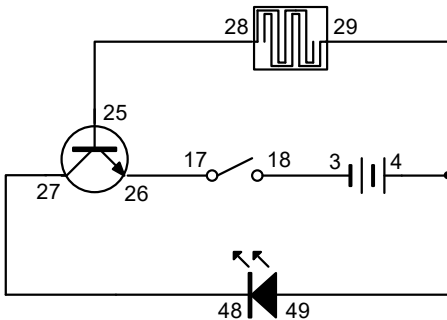


Schließen Sie alle Kabelverbindungen wie in der Reihenfolge angegeben an. Schalten Sie den Hauptschalter ein. Befeuchte deinen Finger mit Wasser und berühre die Tastplatte. Durch die Berührungsplatte fließt nur eine sehr geringe Strommenge (wie im letzten Versuch gezeigt), die LED leuchtet hell auf! Das liegt daran, dass in dieser Schaltung der PNP-Transistor das eigentliche Tor zur LED ist, und die Berührungsplatte nur als Schalter zum Öffnen des Tors dient! Wenn der obere Teil der Schaltung nicht angeschlossen ist, fließt kein Strom durch den "Emitter" zur "Basis" des Transistors. Der Durchgang vom "Emitter" zum "Kollektor" ist also geschlossen. Wenn Sie die Berührungsplatte berühren, wird der obere Stromkreis angeschlossen; eine sehr geringe Strommenge fließt durch den "Emitter" zur "Basis", und dann wird das Tor vom "Emitter" zum "Kollektor" geöffnet! Der Strom aus der Batterie kann dann durch den Transistor zur LED fließen, und deshalb leuchtet die LED hell!

12.9 Eine einfache Demonstration der Funktion des NPN-Transistors

Verdrahtungsreihenfolge

28-25, 26-17, 18-3, 4-29-49, 48-27

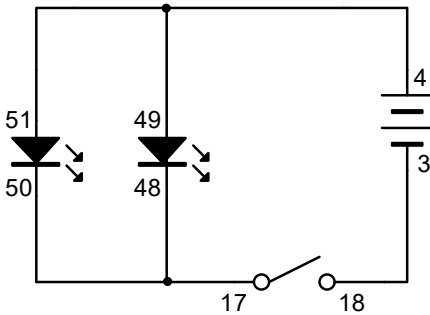


Vervollständigen Sie alle Verdrahtungsverbindungen wie in der Reihenfolge angegeben. Schalten Sie den Hauptschalter ein. Berühre die Tastplatte. Dadurch, dass nur sehr wenig Strom durch die Berührungsplatte fließt (wie im letzten Versuch gezeigt), leuchtet die LED hell auf! Dies ist so ziemlich das Gleiche wie beim PNP-Transistor. Es sind nur die Polaritäten des Transistors vertauscht.

12.10 Zwei LEDs in Parallelschaltung

Verdrahtungsreihenfolge

4-49-51, 50-48-17, 18-3

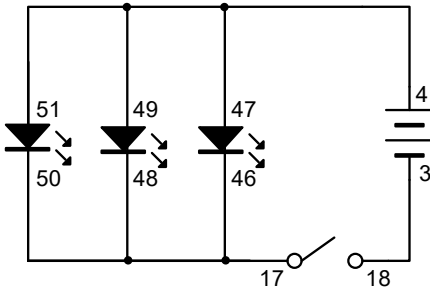


Schließen Sie alle Kabelverbindungen wie in der Reihenfolge angegeben an. Beim Einschalten leuchten beide LEDs auf. Beim Ausschalten erlöschen beide LEDs.

12.11 Drei LEDs in Parallelschaltung

Verdrahtungsreihenfolge

4-47-49-51, 50-48-46-17, 18-3

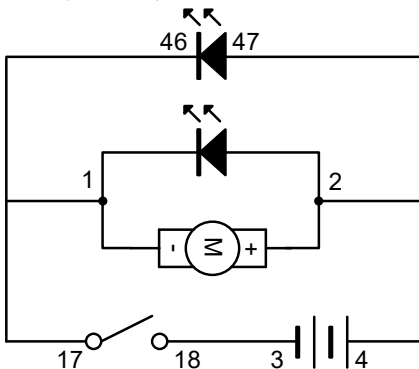


Schließen Sie alle Kabelverbindungen wie in der Reihenfolge angegeben an. Wenn Sie das Gerät einschalten, leuchten drei LEDs auf. Wenn Sie das Gerät ausschalten, erlöschen alle drei LEDs.

12.12 LED und Spinning-LED mit einem einzigen Schalter

Verdrahtungsreihenfolge

4-2-47, 46-1-17, 18-3

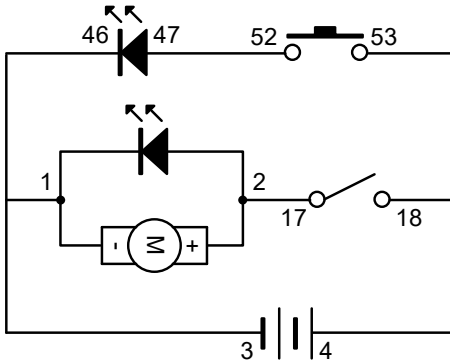


Schließen Sie alle Kabelverbindungen wie in der Reihenfolge angegeben an. Schalten Sie den Hauptschalter ein. Die LED leuchtet auf und die Spinn-LED leuchtet. Wenn Sie den Hauptschalter ausschalten, werden beide Geräte gleichzeitig ausgeschaltet.

12.13 LED und Spinning-LED mit separaten Schaltern

Verdrahtungsreihenfolge

4-18-53, 17-2, 52-47, 46-1-3

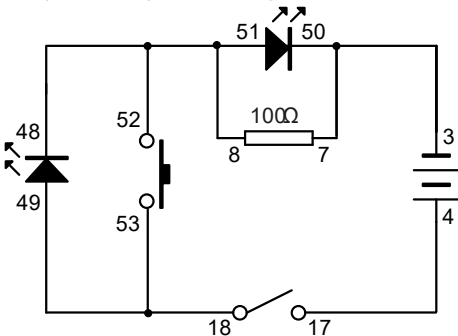


Schließen Sie alle Kabelverbindungen wie in der Reihenfolge angegeben an. Wenn Sie den Hauptschalter einschalten, leuchtet die Spinning-LED. Wenn Sie den Druckschalter drücken, leuchtet die LED auf. Sie werden durch separate Schalter gesteuert, so dass Sie sie einzeln ein- und ausschalten können.

12.14 Grundlegende Funktionsweise der LED-Schaltung

Verdrahtungsreihenfolge

4-17, 18-49-53, 52-48-51-8, 7-50-3

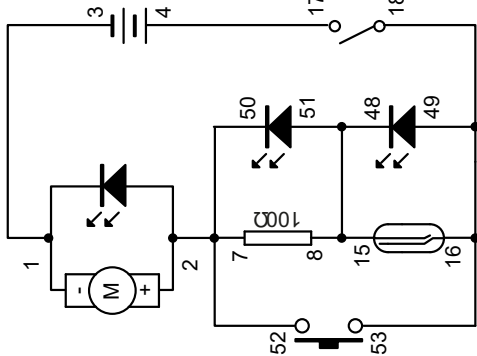


Schließen Sie alle Kabelverbindungen wie in der Reihenfolge angegeben an. Schalten Sie den Hauptschalter ein. Sie werden sehen, dass die kleine LED aufleuchtet, aber die große LED nicht. Wenn Sie den Druckschalter drücken, leuchtet die große LED auf, aber die kleine LED wird ausgeschaltet.

12.15 Spinning-LED-Licht im Vorschaltgerät Betrieb von LEDs

Verdrahtungsreihenfolge

4-17, 18-49-53-16, 15-48-51-8, 7-50-52-2, 1-3

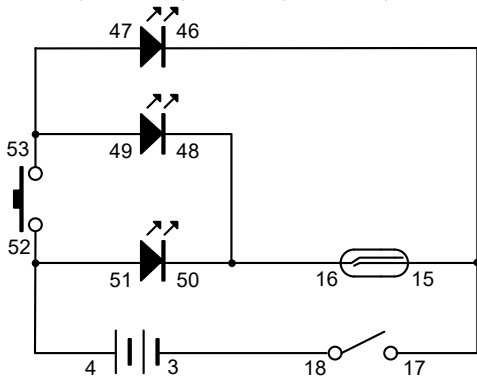


Schließen Sie alle Kabelverbindungen wie in der Reihenfolge angegeben an. Schalten Sie den Hauptschalter ein. Sie werden sehen, dass die blaue LED leuchtet, die anderen LEDs jedoch nicht aufleuchten. Wenn Sie mit dem Magnetpol auf den Reedschalter zugreifen, ist die blaue LED aus und nur die gelbe LED leuchtet. Drücken Sie den Druckschalter. Diesmal leuchtet nur die sich drehende LED!

12.16 LED-Kombination

Verdrahtungsreihenfolge

4-52-51, 50-16-48, 49-53-47, 46-15-17, 18-3

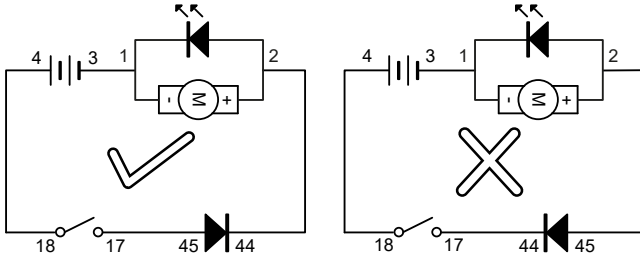


Schließen Sie alle Kabelverbindungen wie in der Reihenfolge angegeben an. Schalten Sie den Hauptschalter ein. Das Drücken des Druckschalters oder das Betätigen des Reedschalters mit dem Magnetpol oder das gleichzeitige Betätigen beider führt zu unterschiedlichen LED-Leistungen!

12.17 Funktion einer Diode

Verdrahtungsreihenfolge

4-18, 17-45, 44-2, 1-3

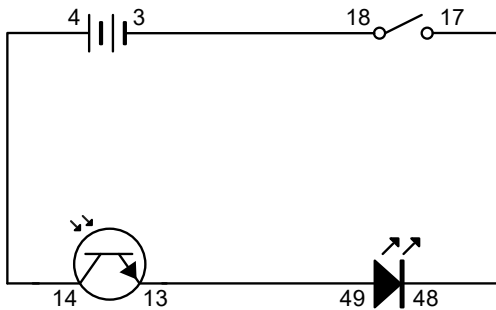


Schließen Sie alle Kabelverbindungen wie in der Reihenfolge angegeben an. Schalten Sie den Hauptschalter ein. Der Motor wird sich drehen. Wenn Sie die Anschlusspolarität der Diode umkehren, indem Sie den Anschluss ein wenig verändern, 17 an 44 und 2 an 45 anschließen, werden Sie feststellen, dass die Schaltung diesmal nicht funktioniert. Das liegt daran, dass die Diode nicht zulässt, dass Strom in umgekehrter Richtung durch sie fließt. Deshalb funktioniert die Schaltung dieses Mal nicht.

12.18 Eine einfache Demonstration des Lichtsensors

Verdrahtungsreihenfolge

4-14, 13-49, 48-17, 18-3

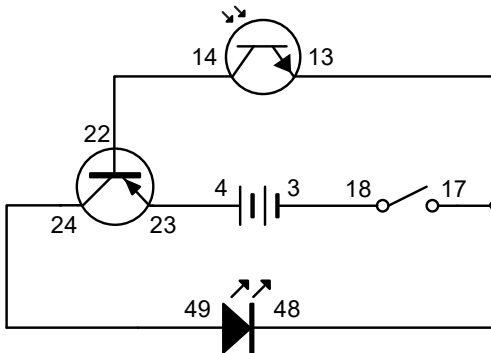


Vervollständigen Sie alle Verdrahtungsverbindungen wie in der Reihenfolge angegeben. Schalten Sie den Hauptschalter ein. Sie werden feststellen, dass die LED sehr schwach leuchtet. Das bedeutet, dass nur eine sehr geringe Strommenge durch sie fließt. Dies hängt von der Intensität des Lichts ab, das auf den Lichtsensor fällt. Wenn du dieses Experiment an einem dunkleren Ort durchführst, leuchtet die LED möglicherweise überhaupt nicht. Wenn du mit einer Taschenlampe auf den Lichtsensor leuchtest, kannst du sehen, dass die LED hell leuchtet. Das liegt daran, dass bei mehr Licht mehr Strom durch den Lichtsensor fließen und die LED zum Leuchten bringen kann.

12.19 Ein praktisches Beispiel: Lichtgesteuerte LED

Verdrahtungsreihenfolge

4-23, 22-14, 24-49, 48-13-17, 18-3

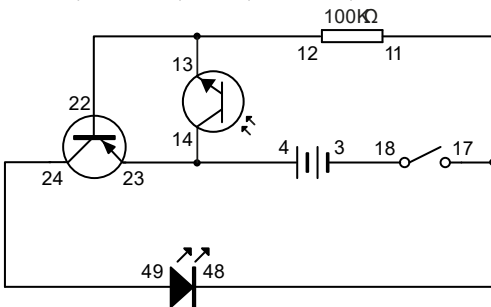


Vervollständigen Sie alle Verdrahtungsverbindungen wie in der Reihenfolge angegeben. Schalten Sie den Hauptschalter ein. Diesmal leuchtet die LED schon bei geringer Lichtmenge hell auf! Das liegt daran, dass in dieser Schaltung der PNP-Transistor das eigentliche Tor zur LED ist, und der Lichtsensor nur als Schalter zum Öffnen des Tors dient! Wenn der obere Teil der Schaltung nicht angeschlossen ist, fließt kein Strom durch den "Emitter" zur "Basis" des Transistors. Der Durchgang vom "Emitter" zum "Kollektor" ist also geschlossen. Wenn Licht auf den Lichtsensor fällt, wird der obere Stromkreis angeschlossen; eine sehr geringe Strommenge fließt durch den "Emitter" zur "Basis", und dann wird der Durchgang vom "Emitter" zum "Kollektor" geöffnet! Der Strom aus der Batterie kann dann durch den Transistor zur LED fließen, und deshalb leuchtet die LED hell auf! Diese Schaltung macht den Lichtsensor zu einem empfindlichen Schalter, der Licht erkennt.

12.20 Ein praktisches Beispiel: Dunkelheitsgesteuerte LED

Verdrahtungsreihenfolge

4-14-23, 22-13-12, 24-49, 48-11-17, 18-3

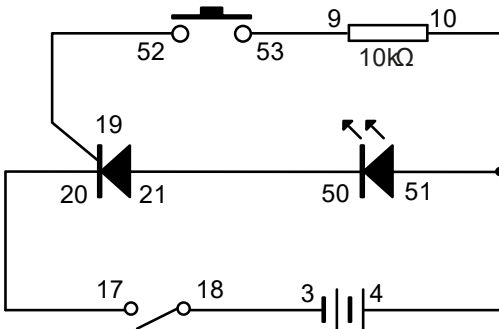


Vervollständigen Sie alle Verdrahtungsverbindungen wie in der Reihenfolge angegeben. Schalten Sie den Hauptschalter ein. Wenn Sie sich in einem Raum mit hellem Licht befinden, leuchtet die LED nicht. Wenn Sie den Lichtsensor abdecken, leuchtet die LED auf. Das bedeutet, dass die LED bei Dunkelheit und nicht bei Licht eingeschaltet wird!

12.21 Demonstration einer einfachen Funktion von SCR

Verdrahtungsreihenfolge

21-50, 51-4-10, 9-53, 52-19, 20-17, 18-3

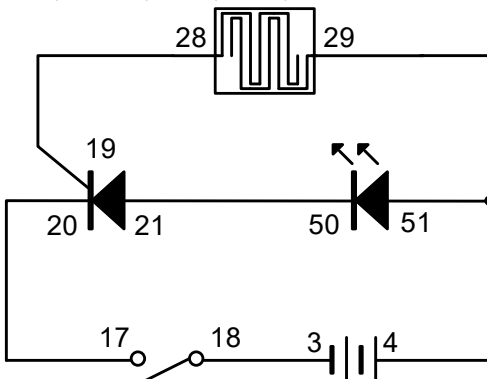


Vervollständigen Sie alle Verdrahtungsverbindungen wie in der Reihenfolge angegeben. Schalten Sie den Hauptschalter ein. Es passiert nichts. Drücken Sie dann den Druckschalter, ohne ihn loszulassen. Der obere Teil des Stromkreises ist angeschlossen und somit kann Strom durch das Gate (G) und die Kathode (K) des SCR fließen, da es sich um einen vollständigen Stromkreis handelt. Dies ist wie das Öffnen des Gates des SCR. Der Hauptstrom kann nun durch die Anode (A) und die Kathode (K) fließen, wodurch die LED leuchtet. Lassen Sie den Druckschalter los. Die LED leuchtet trotzdem weiter! Das liegt daran, dass das "Gate" bereits durch den Anfangsstrom aus dem oberen Stromkreis geöffnet wurde und daher der Hauptstrom weiterhin durch den SCR fließt. Wenn Sie also die LED ausschalten wollen, müssen Sie den Hauptschalter ausschalten.

12.22 Ein praktisches Beispiel für SCR

Verdrahtungsreihenfolge

21-50, 51-4-29, 28-19, 20-17, 18-3

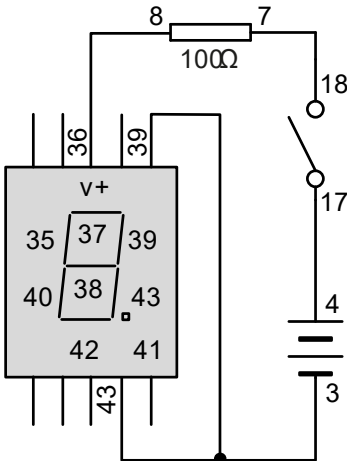


Schließen Sie alle Kabelverbindungen wie in der Reihenfolge angegeben an. Schalten Sie den Hauptschalter ein. Es passiert nichts. Wenn ein Wassertropfen auf die Tastplatte fällt, leuchtet die LED auf. Auch wenn die Berührungplatte danach getrocknet ist, leuchtet die LED weiter, da das Gate des SCR geöffnet wurde. Auf der Grundlage dieses Prinzips können Sie einen Monitor einrichten, der anzeigt, ob die Flut eine bestimmte Höhe erreicht hat, ob es während Ihrer Abwesenheit geregnet hat, ob etwas nass geworden ist..... usw.

12.23 Digitale Segment-LED zeigt "1" an

Verdrahtungsreihenfolge

4-17, 18-7, 8-36, 3-39-43

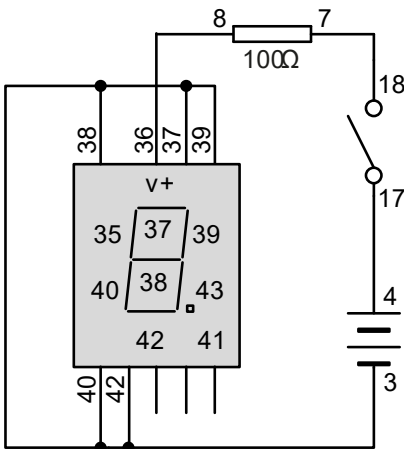


Schließen Sie alle Kabelverbindungen wie in der Reihenfolge angegeben an. Beim Einschalten zeigt die LED des digitalen Segments "1" an.

12.24 Digitale Segment-LED zeigt "2" an

Verdrahtungsreihenfolge

4-17, 18-7, 8-36, 3-37-38-39-40-42

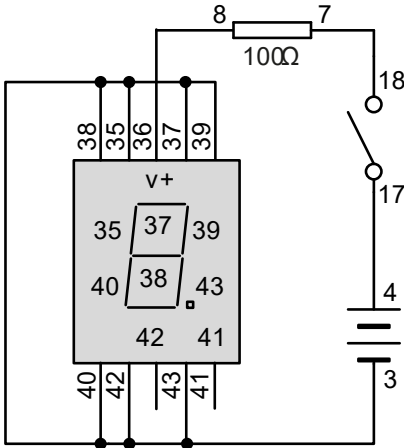


Schließen Sie alle Kabelverbindungen wie in der Reihenfolge angegeben an. Beim Einschalten zeigt die LED des digitalen Segments "2" an.

12.25 Digitales LED-Segment, das "8" anzeigt

Verdrahtungsreihenfolge

4-17, 18-7, 8-36, 3-35-37-38-39-40-42-43

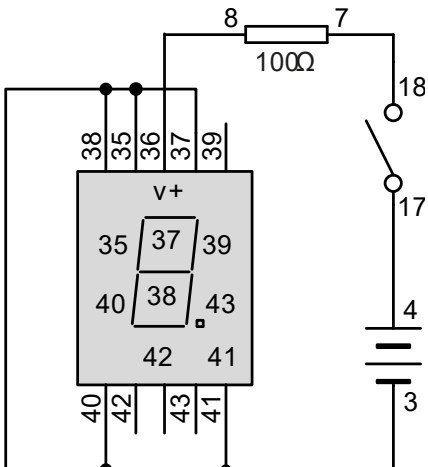


Schließen Sie alle Kabelverbindungen wie in der Reihenfolge angegeben an. Beim Einschalten zeigt die LED des digitalen Segments "8" an.

12.26 Die LED des digitalen Segments zeigt "F" an.

Verdrahtungsreihenfolge

4-17, 18-7, 8-36, 3-35-37-38-40-41

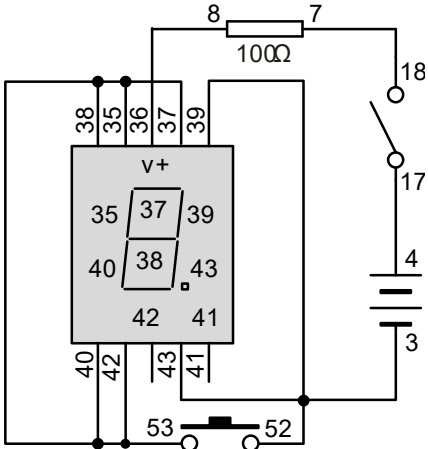


Schließen Sie alle Kabelverbindungen wie in der Reihenfolge angegeben an. Beim Einschalten zeigt die digitale Segment-LED "F." an.

12.27 Digitale Segment-LED schaltet zwischen "1" und "8" um

Verdrahtungsreihenfolge

4-17, 18-7, 8-36, 3-39-43-52, 53-35-37-38-40-42

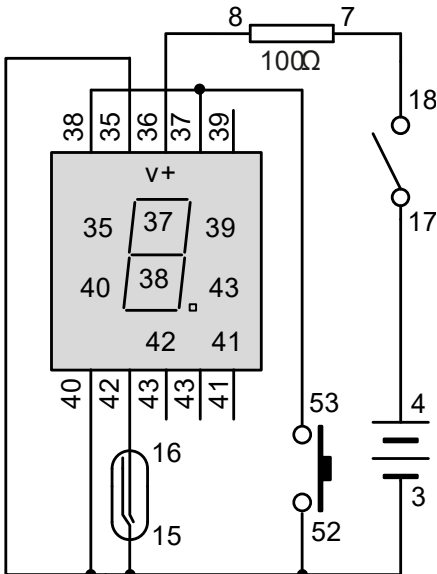


Vervollständigen Sie alle Verdrahtungsverbindungen wie in der Reihenfolge angegeben. Schalten Sie den Hauptschalter ein. Die LED des Digitalsegments zeigt "1" an. Wenn Sie den Druckschalter drücken, zeigt die LED des Digitalsegments "8" an.

12.28 Digitale Segment-LED-Umschaltung zwischen "I", "L", "F" und "E"

Verdrahtungsreihenfolge

4-17, 18-7, 8-36, 35-40-15-3-52, 53-37-38, 42-16

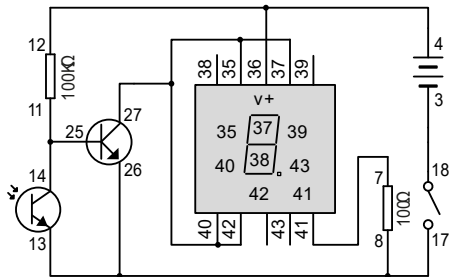


Vervollständigen Sie alle Verdrahtungsverbindungen wie in der Reihenfolge angegeben. Schalten Sie den Hauptschalter ein. Die LED des Digitalsegments zeigt "I" an. Wenn Sie den Reed-Schalter mit dem Magnetpol betätigen, zeigt die LED des Digitalsegments "L" an; oder wenn Sie den Druckschalter drücken, zeigt die LED des Digitalsegments "F" an. Und wenn Sie beide Schalter gleichzeitig betätigen, wird "E" angezeigt.

12.29 Lichtsteuerung Sieben-Segment-LED-Anzeige - C (Dark Type)

Verdrahtungsreihenfolge

3-18, 11-25-14, 4-36-12, 13-17-26-8, 7-41, 27-35-37-40-42

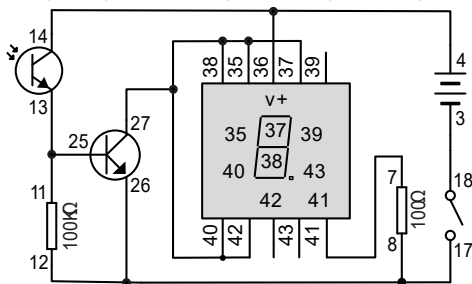


Schließen Sie alle Kabelverbindungen wie in der Reihenfolge angegeben an. Schalten Sie den Hauptschalter ein. Wenn der Raum ausreichend beleuchtet ist, leuchtet nur die Betriebsanzeige auf dem Display auf. Decken Sie den Lichtsensor ab und auf dem Display erscheint der Buchstabe C. Wenn Sie den Lichtsensor abdecken, verschwindet der Buchstabe C..

12.30 Lichtsteuerung Sieben-Segment-LED-Anzeige - E (Light Type)

Verdrahtungsreihenfolge

3-18, 41-7, 17-26-12-8, 11-13-25, 4-36-14, 27-35-38-37-40-42

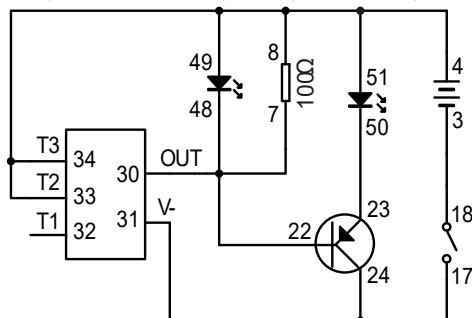


Vervollständigen Sie alle Verdrahtungsverbindungen wie in der Reihenfolge angegeben. Schalten Sie den Hauptschalter ein. Dann leuchtet die Betriebsanzeige auf und der Buchstabe E wird auf dem Display angezeigt. Wenn Sie den Lichtsensor abdecken, leuchtet nur die Betriebsanzeige im Display auf. Wenn Sie den Lichtsensor freilegen, leuchtet der Buchstabe E wieder auf.

12.31 Blinkende LEDs

Verdrahtungsreihenfolge

3-18, 8-4-51-49-33-34, 50-23, 7-22-30-48, 17-24-31

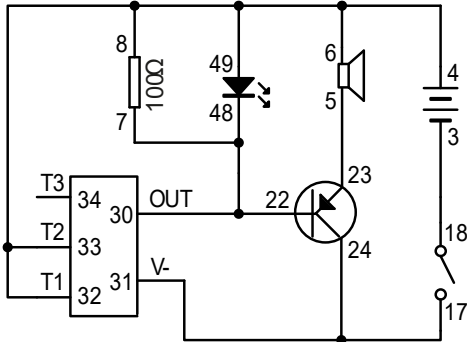


Schließen Sie alle Kabelverbindungen wie in der Reihenfolge angegeben an. Schalten Sie den Hauptschalter ein. Dann blinken die LEDs.

12.32 Hundebellton mit blinkender LED

Verdrahtungsreihenfolge

3-18, 4-6-8-32-33-49, 5-23, 7-22-30-48, 17-24-31

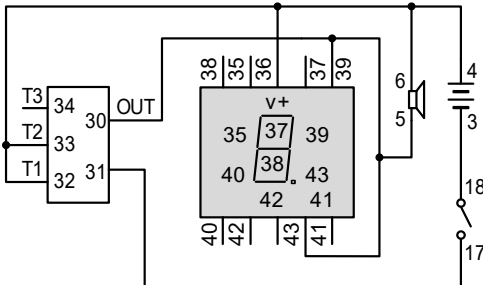


Schließen Sie alle Kabelverbindungen wie in der Reihenfolge angegeben an. Schalten Sie den Hauptschalter ein. Aus dem Lautsprecher ertönt Hundegebell und die LED blinkt im Rhythmus dazu.

12.33 Hundebellen und blinkende Ziffer "1"

Verdrahtungsreihenfolge

3-18, 4-6-36-32-33, 17-31, 30-39-43-5

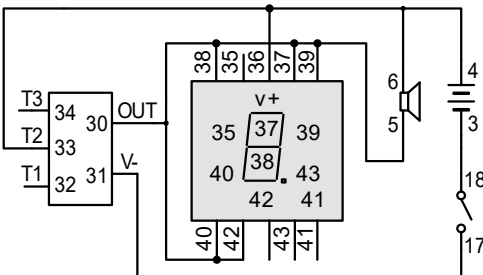


Schließen Sie alle Kabelverbindungen wie in der Reihenfolge angegeben an. Wenn Sie das Gerät einschalten, ertönt ein Hundebellen aus dem Lautsprecher. Auf dem Display wird außerdem die Ziffer "1" angezeigt und blinkt im Rhythmus dieser Ziffer.

12.34 Hahenschrei und blinkende Ziffer "2"

Verdrahtungsreihenfolge

3-18, 4-6-36-33, 17-31, 5-30-37-38-39-40-42

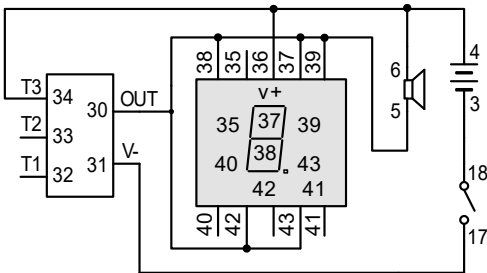


Schließen Sie alle Kabelverbindungen wie in der Reihenfolge angegeben an. Wenn Sie das Gerät einschalten, ertönt aus dem Lautsprecher das Krähen des Hahns. Auf dem Display wird außerdem die Ziffer "2" angezeigt und blinkt im Rhythmus dieser Ziffer.

12.35 Miauen einer Katze und blinkende Ziffer "3"

Verdrahtungsreihenfolge

3-18, 4-6-36-34, 17-31, 30-37-39-38-42-43-5

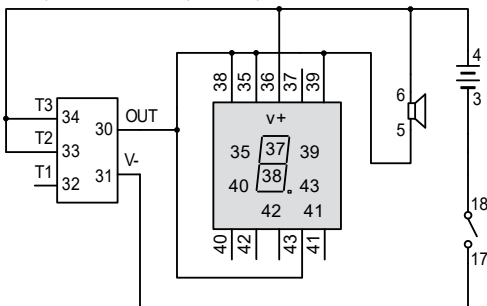


Schließen Sie alle Kabelverbindungen wie in der Reihenfolge angegeben an. Wenn Sie das Gerät einschalten, gibt der Lautsprecher einen miauenden Katzenton von sich. Auf dem Display wird außerdem die Ziffer "3" angezeigt und blinkt im Rhythmus dieser Ziffer.

12.36 Wiehern eines Pferdes und blinkende Ziffer "4".

Verdrahtungsreihenfolge

3-18, 4-36-33-34-6, 17-31, 30-35-38-39-43-5

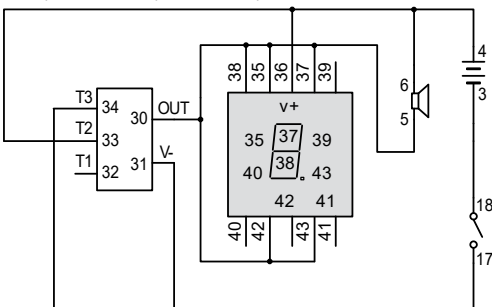


Schließen Sie alle Kabelverbindungen wie in der Reihenfolge angegeben an. Wenn Sie das Gerät einschalten, gibt der Lautsprecher ein Wiehern von sich. Auf dem Display wird außerdem die Ziffer "4" angezeigt und blinkt im Rhythmus dieser Ziffer.

12.37 Vogelgezwitscher und blinkende Ziffer "5"

Verdrahtungsreihenfolge

3-18, 4-6-36-33, 17-31-34, 5-30-35-37-38-42-43

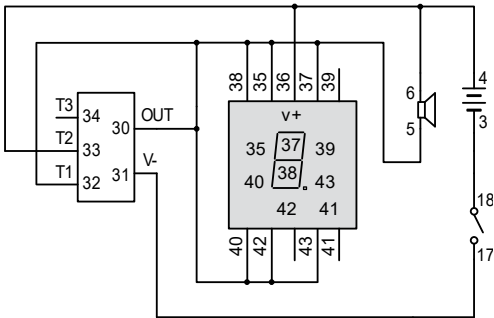


Schließen Sie alle Kabelverbindungen wie in der Reihenfolge angegeben an. Wenn Sie das Gerät einschalten, ertönt aus dem Lautsprecher ein Vogelgezwitscher. Auf dem Display wird außerdem die Ziffer "5" angezeigt und blinkt im Rhythmus dieser Ziffer.

12.38 Entenschnattern und blinkende Ziffer "6"

Verdrahtungsreihenfolge

3-18, 4-6-36-33, 17-31, 5-30-32-35-37-38-40-42-43

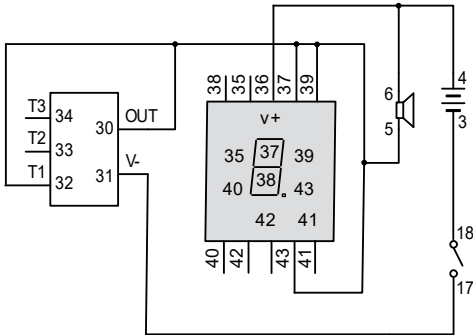


Schließen Sie alle Kabelverbindungen wie in der Reihenfolge angegeben an. Beim Einschalten des Lautsprechers ertönt das Entenschnattern. Auf dem Display wird außerdem die Ziffer "6" angezeigt und blinkt im Rhythmus dieser Ziffer.

12.39 Blökendes Schaf und blinkende Ziffer "7".

Verdrahtungsreihenfolge

3-18, 4-6-36, 17-31, 5-30-32-37-39-43

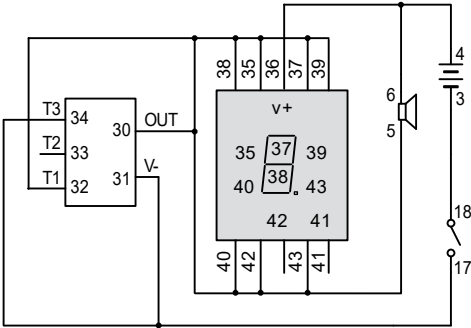


Schließen Sie alle Kabelverbindungen wie in der Reihenfolge angegeben an. Beim Einschalten des Lautsprechers ertönt das Blöken der Schafe. Auf dem Display wird außerdem die Ziffer "7" angezeigt und blinkt im Rhythmus dieser Ziffer.

12.40 Kuckucksruf und blinkende Ziffer "8"

Verdrahtungsreihenfolge

3-18, 4-6-36, 17-31-34, 5-30-32-35-37-38-39-40-42-43

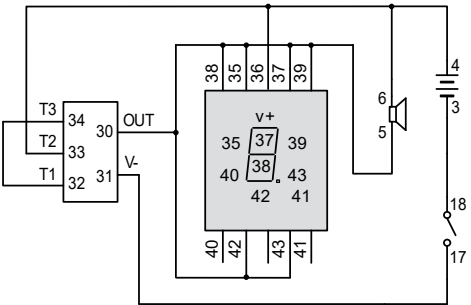


Schließen Sie alle Kabelverbindungen wie in der Reihenfolge angegeben an. Wenn Sie das Gerät einschalten, ertönt der Kuckucksruf aus dem Lautsprecher. Auf dem Display wird außerdem die Ziffer "8" angezeigt und blinkt im Rhythmus dazu.

12.41 Froschquaken und blinkende Ziffer "9"

Verdrahtungsreihenfolge

3-18, 4-6-36-33, 32-34, 5-30-35-37-38-39-42-43, 17-31

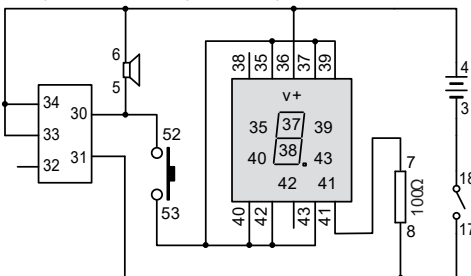


Schließen Sie alle Kabelverbindungen wie in der Reihenfolge angegeben an. Wenn Sie das Gerät einschalten, gibt der Lautsprecher ein Froschquaken von sich. Auf dem Display wird außerdem die Ziffer "9" angezeigt und blinkt im Rhythmus dieser Ziffer.

12.42 Manuelle Steuerung Pferd Wieherton mit Druckschaltersteuerung blinkende Ziffer "0"

Verdrahtungsreihenfolge

3-18, 4-6-36-34-33, 5-30-52, 53-40-42-43-35-37-39, 41-7, 8-31-17

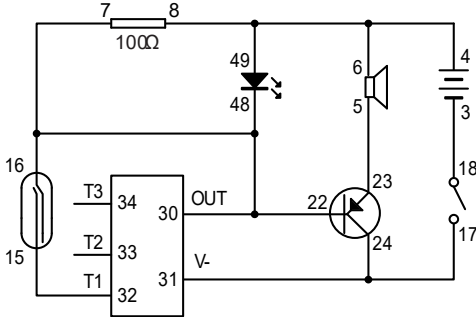


Schließen Sie alle Kabelverbindungen wie in der Reihenfolge angegeben an. Wenn Sie das Gerät einschalten, ertönt aus dem Lautsprecher das Wiehern eines Pferdes, und der Punkt in der rechten unteren Ecke des Displays leuchtet auf. Wenn Sie dann den Druckschalter drücken, ohne ihn loszulassen, leuchtet die Ziffer 0 auf und blinkt im Rhythmus des Pferdewieherns.

12.43 Magnetsteuerung Schaf blökender Ton mit blinkender LED

Verdrahtungsreihenfolge

3-18, 17-24-31, 32-15, 16-7-30-22-48, 49-8-6-4, 5-23

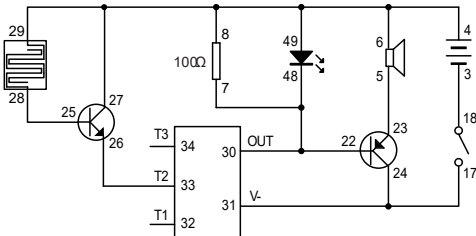


Schließen Sie alle Kabelverbindungen wie in der Reihenfolge angegeben an. Schalten Sie den Hauptschalter ein. Betätigen Sie den Reed-Schalter mit dem Magnetpol. Aus dem Lautsprecher ertönt ein blökendes Schaf und die LED blinkt im Rhythmus des blökenden Schafs.

12.44 Hahnkrähen mit blinkender LED und Berührungssteuerung

Verdrahtungsreihenfolge

3-18, 17-24-31, 30-7-22-48, 33-26, 28-25, 23-5, 29-27-8-49-6-4

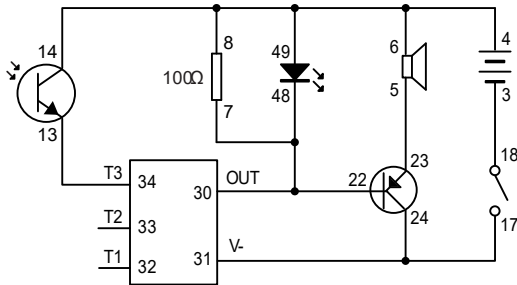


Vervollständigen Sie alle Verdrahtungsanschlüsse wie in der Reihenfolge angegeben. Schalten Sie den Hauptschalter ein. Berühren Sie mit dem Finger die Tastplatte. Aus dem Lautsprecher ertönt das Krähen des Hahns und die LED blinkt im Rhythmus dazu. Wenn Sie keine Reaktion erhalten, müssen Sie Ihren Finger eventuell anfeuchten und es erneut versuchen.

12.45 Lichtsteuerung Katzenmiauen mit blinkender LED

Verdrahtungsreihenfolge

5-23, 22-48-7-30, 31-24-17, 18-3, 4-6-8-49-14, 13-34

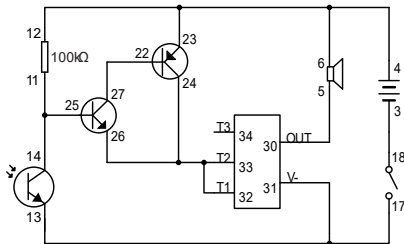


Vervollständigen Sie alle Verdrahtungsanschlüsse wie in der Reihenfolge angegeben. Schalten Sie den Hauptschalter ein. Wenn Licht auf den Lichtsensor fällt, gibt der Lautsprecher einen miauenden Katzenenton von sich und die LED blinkt im Rhythmus dazu.

12.46 Dunkelheit aktiviert Hundebellen Ton

Verdrahtungsreihenfolge

3-18, 4-6-23-12, 5-30, 17-31-13, 24-26-33-32, 22-27, 11-14-25

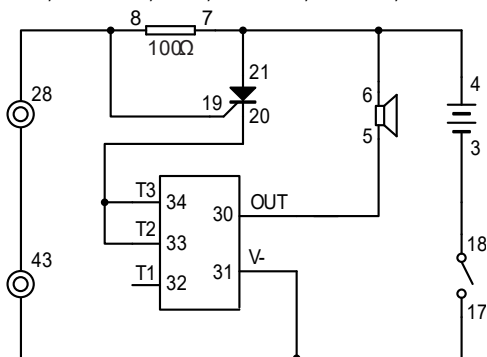


Schließen Sie alle Kabelverbindungen wie in der Reihenfolge angegeben an. Schalten Sie den Hauptschalter ein und decken Sie den Lichtsensor vollständig ab. Dann hören Sie Hundegebell aus dem Lautsprecher. Sobald Sie den Lichtsensor abdecken, hört das Hundebellen auf.

12.47 Sicherheitsalarm bei Unterbrechung der Verkabelung

Verdrahtungsreihenfolge

3-18, 17-43-31, 30-5, 4-6-21-7, 8-28-19, 20-33-34, 28-43

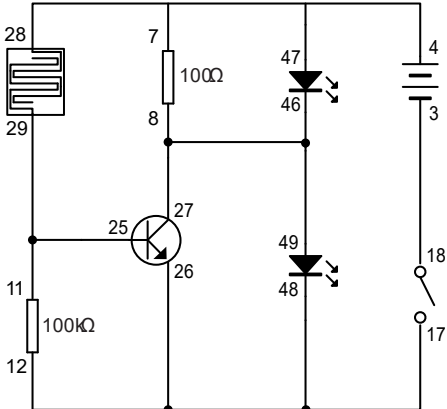


Schließen Sie alle Kabelverbindungen wie in der Reihenfolge angegeben an. Schalten Sie den Hauptschalter ein. Es passiert nichts. Wenn Sie dann den Draht, der die Feder 28 mit der Feder 43 verbindet, abklemmen, gibt der Lautsprecher ein Wiehern von sich! Diese Schaltung kann als Alarmanlage verwendet werden. Wenn z.B. jemand die Alarmschnur auslöst, wird das Wiehern eines Pferdes Sie vor einem Eindringling warnen!

12.48 Wasserstands-LED-Alarm

Verdrahtungsreihenfolge

3-18, 4-7-28-47, 17-48-12-26, 8-27-49-46, 11-29-25



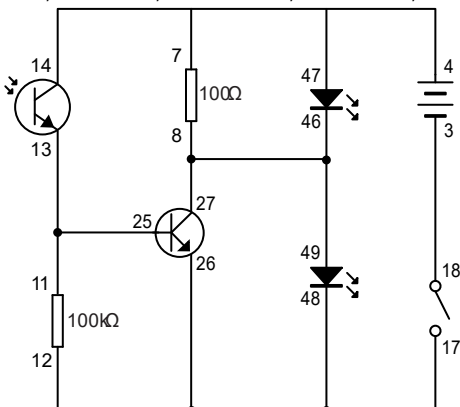
Vervollständigen Sie alle Verdrahtungsverbindungen wie in der Reihenfolge angegeben. Schalten Sie den Hauptschalter ein. Tropfen Sie einen Wassertropfen auf die Touch-Platte. Dann leuchtet die mehrfarbige LED auf und die blaue LED erlischt. Wischen Sie das Wasser von der Touch-Platte ab. Danach leuchtet die blaue LED auf und die mehrfarbige LED erlischt.

Dieses Prinzip kann auch für die Wasserstandswarnung verwendet werden. Bringen Sie eine ähnliche Schaltung an der Stelle an, an der der Wasserstand überwacht werden soll. Wenn der Wasserstand über dem Warnniveau liegt, leuchtet die mehrfarbige LED auf, und die blaue LED erlischt. Wenn der Wasserstand unter dem Warnniveau liegt, erlischt die mehrfarbige LED und die blaue LED leuchtet auf.

12.49 Anzeige der Lichtintensität

Verdrahtungsreihenfolge

3-18, 4-7-14-47, 17-12-26-48, 8-27-46-49, 11-13-25



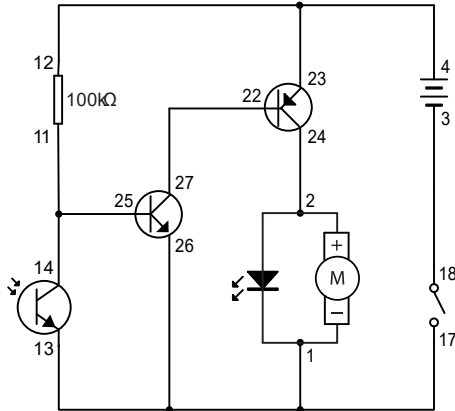
Schließen Sie alle Kabelverbindungen wie in der Reihenfolge angegeben an. Schalten Sie den Hauptschalter ein. Wenn Licht auf den Lichtsensor fällt, leuchtet die mehrfarbige LED auf, nicht aber die

blaue LED. Decken Sie den Lichtsensor vollständig ab. Da kein Licht auf ihn scheint, erlischt die mehrfarbige LED und die blaue LED leuchtet auf. Wenn der Lichtsensor nicht mehr abgedeckt ist, leuchtet die mehrfarbige LED auf und die blaue LED erlischt wieder. Dies kann als Lichtintensitätsanzeige verwendet werden.

12.50 Dunkelheitsaktiviertes, sich drehendes LED-Licht

Verdrahtungsreihenfolge

3-18, 4-23-12, 26-17-1-13, 24-2, 22-27, 11-14-25

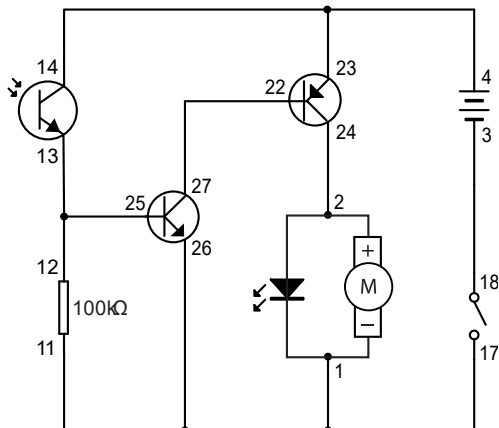


Schließen Sie alle Kabelverbindungen wie in der Reihenfolge angegeben an. Schalten Sie den Hauptschalter ein. Decken Sie den Lichtsensor ab, und die rotierende LED leuchtet auf. Nehmen Sie den Lichtsensor ab, und die rotierende LED schaltet sich aus.

12.51 Lichtsteuerung drehendes LED-Licht

Verdrahtungsreihenfolge

3-18, 4-23-14, 26-17-1-11, 24-2, 22-27, 12-13-25



Schließen Sie alle Kabelverbindungen wie in der Reihenfolge angegeben ab. Schalten Sie den Hauptschalter ein, dann leuchtet die Spinning-LED. Wenn der Lichtsensor abgedeckt ist, ist die Spinning-LED aus. Licht ist der Schalter der Spinning-LED in dieser Schaltung.

© COPYRIGHT-VERMERK

Das Urheberrecht an diesem Handbuch ist Eigentum von Velleman nv. Alle weltweiten Rechte vorbehalten. Kein Teil dieses Handbuchs darf ohne die vorherige schriftliche Zustimmung des Urheberrechtinhabers kopiert, reproduziert, übersetzt oder auf ein elektronisches Medium oder anderweitig reduziert werden.

INSTRUKCJA OBSŁUGI

1. Wprowadzenie



Do wszystkich mieszkańców Unii Europejskiej Ważne informacje środowiskowe dotyczące tego produktu

Ten symbol na urządzeniu lub opakowaniu oznacza, że utylizacja urządzenia po zakończeniu jego cyklu życia może być szkodliwa dla środowiska. Nie należy wyrzucać urządzenia (ani baterii) jako nieposortowanych odpadów komunalnych; należy je przekazać wyspecjalizowanej firmie w celu recyklingu. Urządzenie należy zwrócić do dystrybutora lub lokalnej firmy zajmującej się recyklingiem. Należy przestrzegać lokalnych przepisów dotyczących ochrony środowiska.

W razie wątpliwości należy skontaktować się z lokalnymi władzami odpowiedzialnymi za utylizację odpadów.

Dziękujemy za wybranie firmy Velleman! Przed oddaniem urządzenia do użytku należy dokładnie zapoznać się z instrukcją obsługi. Jeśli urządzenie zostało uszkodzone podczas transportu, nie należy go instalować ani używać i należy skontaktować się ze sprzedawcą.

2. Instrukcje bezpieczeństwa



Przed rozpoczęciem korzystania z urządzenia należy przeczytać i zrozumieć niniejszą instrukcję oraz wszystkie znaki bezpieczeństwa.



Ryzyko zadławienia z powodu małych części. Nie dla dzieci w wieku poniżej 3 lat.

8+

Zalecany wiek: +.

- Ten produkt jest przeznaczony do użytku w celach edukacyjnych w szkołach i innych placówkach pedagogicznych pod nadzorem dorosłego instruktora, takich jak sprzęt naukowy.
- Chronić przed deszczem, wilgocią, pryskającymi i kapiącymi płynami, wstrząsami i nadużyciami, ekstremalnym ciepłem i kurzem.

3. Ostrzeżenie

Wymagany jest nadzór i pomoc osoby dorosłej.

To urządzenie jest przeznaczone wyłącznie dla dzieci w wieku 8 lat i starszych.

Nieodpowiednie dla dzieci w wieku poniżej 3 lat ze względu na małe części i komponenty -
NIEBEZPIECZENSTWO DŁAWIENIA W PRZYPADKU POŁKNIĘCIA.

Przed rozpoczęciem użytkowania należy przeczytać wszystkie instrukcje zawarte w podręczniku i postępować zgodnie z nimi.

Ta zabawka zawiera małe części i funkcjonalne ostre punkty na elementach. Przechowywać z dala od dzieci w wieku poniżej 3 lat.

Wymagane są 2 baterie AA (brak w zestawie).

Zachowaj informacje i niniejszą instrukcję do wykorzystania w przyszłości.

Instrukcje dla rodziców są dołączone i muszą być przestrzegane.

Nie używać w pobliżu ucha! Niewłaściwe użycie może spowodować uszkodzenie słuchu.

4. Uwaga

Przed rozpoczęciem jakiegokolwiek eksperymentu należy dokładnie sprawdzić i upewnić się, że wszystkie wykonane połączenia przewodów są prawidłowe przed włożeniem baterii i włączeniem urządzenia, ponieważ ich brak może spowodować uszkodzenie komponentów lub płytki drukowanej urządzenia.

Po zakończeniu eksperymentu upewnij się, że baterie są odłączone i wyłącz urządzenie przed usunięciem przewodów.

Do eksperymentu nie należy stosować żadnych komponentów ani części innych niż te dostarczone z tym zestawem.

Zabawki nie należy podłączać do większej niż zalecana liczby zasilaczy.

Jeśli głowa dziecka znajdzie się zbyt blisko jednostki silnikowej tej zabawki, może dojść do zapłatania się włosów.

Ta zabawka zawiera funkcjonalne ostre punkty na przewodach i kablach komponentów, wymagające ostrożności podczas obsługi.

5. Ogólne wytyczne

- Patrz Gwarancja jakości i serwisu Velleman® na ostatnich stronach niniejszej instrukcji.
- Wszelkie modyfikacje urządzenia są zabronione ze względów bezpieczeństwa. Uszkodzenia spowodowane modyfikacjami urządzenia przez użytkownika nie są objęte gwarancją.
- Z urządzenia należy korzystać wyłącznie zgodnie z jego przeznaczeniem. Używanie urządzenia w nieautoryzowany sposób spowoduje utratę gwarancji.
- Uszkodzenia spowodowane zlekceważeniem niektórych wskazówek zawartych w niniejszej instrukcji nie są objęte gwarancją, a sprzedawca nie ponosi odpowiedzialności za jakiegokolwiek wynikającą z tego usterki lub problemy.
- Ani Velleman group nv, ani jej dealerzy nie ponoszą odpowiedzialności za jakiegokolwiek szkody (nadzwyczajne, przypadkowe lub pośrednie) - jakiegokolwiek natury (finansowej, fizycznej...) wynikające z posiadania, użytkowania lub awarii tego produktu.
- Zachowaj niniejszą instrukcję do wykorzystania w przyszłości.

6. Opis produktu

Z przyjemnością zapraszamy do wypróbowania tego gotowego do użycia zestawu obwodów elektronicznych odpowiedniego dla dzieci w wieku od 8 lat. "Będziesz zaskoczony" tym, czego możesz się nauczyć, ponieważ eksperyment jest realistyczną koncepcją elektroniki i elektryczności. Z pewnością pozwoli ci poznać niezbędne komponenty elektroniczne, obwody i teorie, a także podstawowe zasady elektroniki - elektryczność, napięcie, prąd, rezystancję, magnetyzm, inne obwody elektryczne i teorię.

W porządku jest, jeśli nie masz wiedzy na temat elektroniki i nie do końca rozumiesz, jak działają wszystkie eksperymenty. Gdy już zaczniesz, będziesz w stanie rozwinąć swoje zrozumienie poprzez eksperymentowanie i być może wypróbowanie kilku interesujących eksperymentów na własną rękę.

Ten zestaw obwodów elektronicznych zawiera ponad 50 eksperymentów i jest sprytnie zaprojektowany tak, aby główna płytką drukowaną zawierała wszystkie odpowiednie elementy elektroniczne. Wszystko, co musisz zrobić, to po prostu podłączyć przewody zgodnie z sekwencją okablowania każdego eksperymentu i postępować zgodnie z krokami jeden po drugim. Po podłączeniu obwód aktywuje się i zacznie działać.

Pamiętaj, że nie jest to jednorazowy eksperyment. Im więcej czasu poświęcisz na budowanie eksperymentów, tym większą wiedzę zdobędziesz. Nigdy nie będziesz się nudzić, ale będziesz całkowicie zaangażowany w odkrywanie nowych ekscytujących eksperymentów przez kilka lat.

EKSPERYMENTY

1. Prosty obwód LED
2. obracające się światło LED
3. Funkcja przełącznika kontaktronowego
4. demonstracja rezystancji i natężenia prądu
5. rezystory w połączeniu szeregowym
6. rezystory w połączeniu równoległym
7. Funkcja płytki dotykowej
8. Prosta demonstracja funkcji tranzystora PNP
9. Prosta demonstracja funkcji tranzystora NPN
10. Dwie diody LED połączone równolegle
11. Trzy diody LED w połączeniu równoległym

12. LED i obracająca się dioda LED z pojedynczym przełącznikiem
13. LED i obracająca się dioda LED z oddzielnymi przełącznikami
14. podstawowe działanie obwodu LED
15. obracające się światło LED w obwodzie wyprzedzającym działanie diod LED
16. kombinacja diod LED
17. Funkcja diody
18. Prosta demonstracja czujnika światła
19. Praktyczny przykład: Dioda LED wyzwalana światłem
20. Praktyczny przykład: Dioda LED wyzwalana ciemnością
21. Demonstracja prostej funkcji SCR
22. Praktyczny przykład SCR
23. Cyfrowy segment LED wyświetlający "1" -
24. Cyfrowy segment LED wyświetlający "2" -
25. Cyfrowy segment LED wyświetlający "8" -
26. Dioda LED segmentu cyfrowego wyświetlająca "F".
27. Cyfrowy segment LED przełączający między "1" i "8"
28. Cyfrowa segmentowa dioda LED przełączająca pomiędzy "I", "L", "F" i "E" -.
29. Siedmiosegmentowy wyświetlacz LED sterowania oświetleniem - C (typ ciemny)
30. Siedmiosegmentowy wyświetlacz LED sterowania oświetleniem - E (typ oświetlenia)
31. Migające diody LED
32. dźwięk szczekania psa z migającą diodą LED
33. dźwięk szczekania psa i migająca cyfra "1"
34. dźwięk piania koguta i migająca cyfra "2" -
35. Dźwięk miauczenia kota i migająca cyfra "3"
36. Dźwięk rżenia konia i migająca cyfra "4"
37. Świergot ptaków i migająca cyfra "5"
38. odgłos kwakania kaczki i migająca cyfra "6"
39. dźwięk beczenia owcy i migająca cyfra "7"
40. dźwięk kukulki i migająca cyfra "8"
41. zabie rechotanie i migająca cyfra "9"
42. ręczne sterowanie rżeniem konia za pomocą przełącznika sterującego migającą cyfrą "0"
43. Magnes sterujący dźwiękiem owcy z migającą diodą LED
44. dotykowy dźwięk piania koguta z migającą diodą LED
45. kontrola światła dźwięk miauczenia kota z migającą diodą LED
46. Dźwięk szczekania psa aktywowany ciemnością
47. Alarm bezpieczeństwa oparty na odłączeniu okablowania
48. alarm LED poziomu wody
49. wskaźnik natężenia światła
50. Aktywowane ciemnością obrotowe światło LED
51. sterowanie oświetleniem wirujące światło LED

7. Słowniczek

Wzmacniacz - obwód elektroniczny, który wzmacnia wysyłany do niego sygnał. Elementem wzmacniającym może być tranzystor, lampa próżniowa lub odpowiednie urządzenie magnetyczne.

Bateria - źródło energii. Zawiera substancje chemiczne, które ulegają reakcji chemicznej w celu wytworzenia energii elektrycznej po podłączeniu obwodu.

Pojemność - pomiar pojemności kondensatora do przechowywania ładunku elektrycznego.

Kondensator - urządzenie składające się z dwóch przewodników oddzielonych izolatorem. Służy do przechowywania ładunku elektrycznego lub jako filtr w obwodzie.

IC (Integrated Circuit) - małe urządzenie elektroniczne wykonane z materiału półprzewodnikowego, stosowane w różnych urządzeniach, w tym mikroprocesorach, sprzęcie elektronicznym i samochodach.

Czujnik światła - Istnieją różne rodzaje czujników światła. Ten użyty tutaj to fototranzystor. Gdy pada na niego światło, jest on jak przełącznik, przez który przepływa prąd.

Dioda - urządzenie stosowane w obwodach elektrycznych umożliwiające przepływ prądu elektrycznego w jednym kierunku i blokujące go w kierunku przeciwnym.

Mikrofon - urządzenie przekształcające dźwięk w sygnał elektryczny.

Silnik - urządzenie przekształcające energię elektryczną w ruch mechaniczny.

LED (Light Emitting Diode) - dioda emituje światło, gdy przepływa przez nią prąd.

Rezystancja - pomiar stopnia, w jakim obiekt przeciwstawia się przepływającemu przez niego prądowi elektrycznemu.

Rezystor - urządzenie zaprojektowane w celu uzyskania rezystancji.

Głośnik - urządzenie zmieniające sygnały elektryczne w dźwięk.

Przełącznik - urządzenie służące do otwierania i zamykania źródła zasilania w obwodzie.

Tranzystor - urządzenie półprzewodnikowe, które wzmacnia sygnał i otwiera lub zamyka obwód.

Tabela prawdy - jest to tabela matematyczna używana do logicznego obliczania wartości logicznych i jako procedura decyzyjna.

Rezystor zmienny - rodzaj rezystora i urządzenie o regulowanej rezystancji w obwodzie elektronicznym / elektrycznym.

Przewód - przewodnik, który przewodzi prąd. Podłączenie przewodu jest jak zapewnienie ścieżki umożliwiającej przepływ energii elektrycznej.

Przełącznik kontaktowy: Jest to przełącznik magnetyczny, który zawiera wewnątrz metalowe stroiki. Gdy magnes znajdzie się w jego pobliżu, siła przyciągania spowoduje zetknięcie się stroików. W ten sposób będą one w kontakcie, a ścieżka jest połączona

Płytką dotykową: Jest to płytką z dwiema częściami powierzchni przewodzących. Te dwie powierzchnie nie są połączone, ale jest między nimi niewielka przerwa. Prąd elektryczny nie może przepływać przez tę niewielką szczelinę. Po dotknięciu palcem lub kroplą wody, mała szczelina zostaje wypełniona i prąd może przez nią przepływać (choć opór jest dość duży, ponieważ opór wody jest dość duży).

Brzęczyk: Urządzenie wytwarzające prosty dźwięk

SCR: Prostownik sterowany krzemem (SCR) jest jak policjant drogowy dla energii elektrycznej w urządzeniach elektronicznych. Umożliwia przepływ energii elektrycznej w jednym kierunku, działając jak brama, która otwiera się i zamyka. Jest to specjalny rodzaj przełącznika, który pomaga kontrolować moc i upewnić się, że wszystko działa płynnie.

8. Informacje o akumulatorze

Należy używać 2 baterii 1,5 V AA (brak w zestawie).

Aby uzyskać najlepszą wydajność, zawsze używaj świeżych baterii i wyjmuj baterie, gdy nie są używane.

Baterie muszą być włożone z zachowaniem prawidłowej biegunowości.

Baterie nieładowalne nie mogą być ładowane.

Akumulatory mogą być ładowane wyłącznie pod nadzorem osoby dorosłej.

Baterie wielokrotnego ładowania należy wyjąć z zabawki przed ich naładowaniem.

Nie wolno mieszać różnych typów baterii ani baterii nowych i używanych.

Wyczerpane baterie należy usunąć z zabawki.

Zaciski zasilania nie mogą być zwierane.

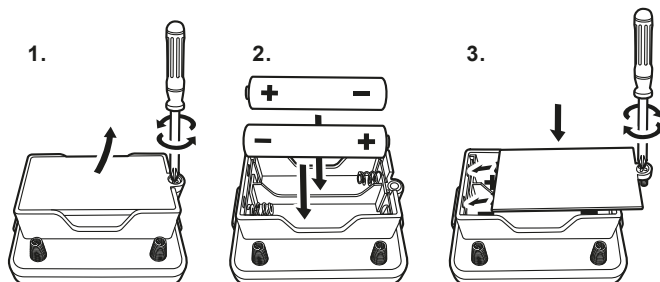
Należy używać wyłącznie baterii tego samego lub równoważnego typu.

Nie wrzucać baterii do ognia.

Nie należy mieszać starych i nowych baterii.

Nie należy mieszać baterii alkalicznych, węgłowo-cynkowych i akumulatorków.

Aby włożyć baterie, należy odkręcić pokrywę baterii za pomocą śrubokręta. Włóż wymagane baterie zgodnie z biegunowością baterii, ustawiając końce + i - we właściwej pozycji, a następnie przykręć pokrywę baterii, aby zamknąć obudowę komory baterii.



9. Sekwencja okablowania i połączenia

Upewnij się, że wszystkie przewody są prawidłowo podłączone do ponumerowanych zacisków sprężynowych głównej płytki drukowanej zgodnie z sekwencją okablowania każdego eksperymentu. Odegnij zacisk sprężynowy i włóż odsłoniętą błyszczącą część przewodu do zacisku sprężynowego. Upewnij się, że przewód jest prawidłowo podłączony do zacisku sprężynowego.

Na przykład, jeśli sekwencja okablowania to 4-33, 1-10-32-35, 2-12, podłącz przewód między zaciskiem sprężynowym 4 i 33; następnie podłącz przewód między zaciskiem sprężyny 1 i 10, przewód między zaciskiem sprężyny 10 i 32, przewód między zaciskiem sprężyny 32 i 35; a na koniec podłącz przewód między zaciskiem sprężyny 2 i 12. Jest to tylko przykład, a nie dokładne połączenie obwodu w eksperymencie.

Jeśli obwód nie działa, można sprawdzić połączenie przewodu i zacisku sprężynowego, czy nie jest dobrze połączone lub czy izolowana plastikowa część przewodu jest włożona do zacisku sprężynowego.

10. Charakterystyka komponentu

W tym zestawie eksperymentalnym poznasz podstawową teorię obwodów, charakterystykę kondensatora, układu scalonego, diody LED, czujnika światła, rezystora i tranzystora. Możesz dowiedzieć się, że gdy tranzystor i kondensator współpracują ze sobą, można uzyskać różne efekty świetlne i dźwiękowe w różnych połączeniach obwodów.

Kondensator to urządzenie składające się z dwóch przewodników oddzielonych izolatorem. Jest przeznaczony do przechowywania ładunku elektrycznego lub jako filtr w obwodzie. Jest to powszechnie stosowany element w obwodach elektronicznych i elektrycznych jako urządzenie do magazynowania energii lub jako urządzenie filtrujące do odfiltrowywania elektronicznych hałaśliwych lub bezużytecznych sygnałów częstotliwości. Istnieją różne typy kondensatorów, które są przeznaczone do różnych zastosowań w obwodach elektronicznych / elektrycznych.



Kondensator elektrolityczny



Symbol obwodu

IC (Integrated Circuit) to małe urządzenie elektroniczne wykonane z półprzewodników, stosowane w różnych urządzeniach, w tym mikroprocesorach, sprzęcie elektronicznym i samochodach. Układ scalony jest tworzony przez dużą liczbę tranzystorów w "chipie" (krzemie). Jest to obecnie krytyczny i powszechnie używany komponent w szerokiej gamie zastosowań, od zabawek, produktów gospodarstwa domowego po najnowocześniejszy sprzęt.



Układ scalony

LED (Light Emitting Diode) to dioda, która emituje światło, gdy przepływa przez nią prąd elektryczny. Diody LED mają różne kolory światła, które zależą od rodzaju użytych materiałów półprzewodnikowych. Jest to powszechnie stosowane urządzenie w oświetleniu domowym i samochodowym.

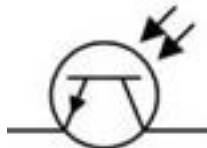


LED (dioda elektroluminescencyjna)

Symbol obwodu



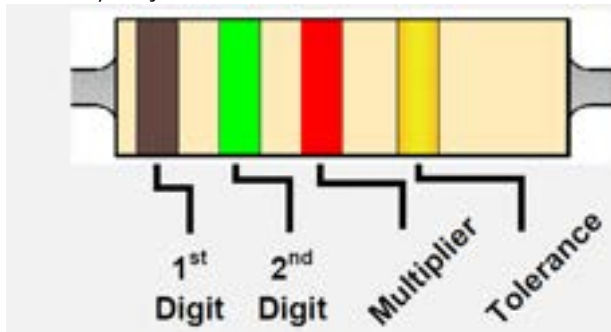
Czujnik światła to urządzenie reagujące na światło. Istnieją różne rodzaje czujników światła. Ten użyty tutaj to fototranzystor. Gdy nie ma światła, prąd elektryczny nie może przez niego przepływać. Dlatego jest on jak przełącznik, który jest wyłączony. Gdy pada na niego światło, prąd elektryczny może przez niego przepływać. Jest wtedy jak przełącznik, który jest włączony. W ten sposób można utworzyć obwód sterowania oświetleniem.



Symbol obwodu

Rezystor wykorzystuje różne kolory pierścieni do reprezentowania wartości (rezystancji). Pierwszy i drugi pierścień reprezentują cyfrę. Trzeci pierścień reprezentuje mnożnik, jak pokazano w tabeli. Czwarty pierścień reprezentuje tolerancję, która oznacza dokładność rezystancji. Przykład: Kolorowe pierścienie to brązowy, czerwony, brązowy i złoty, co oznacza rezystancję 120 omów, tolerancja 5% (Ω).

Kod identyfikacji koloru

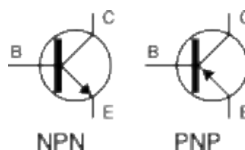


Kolor	1.	2.	3 rd - mnożnik	Tolerancja
Czarny	0	0	x 1	
Brązowy	1	1	x 10	
Czerwony	2	2	x 100	
Pomarańczowy	3	3	x 1000	
Żółty	4	4	x 10000	
Zielony	5	5	x 100000	
Niebieski	6	6	x 1000000	
Fioletowy	7	7		
Szary	8	8		
Biały	9	9		
Brązowy				+/- 1%
Czerwony				+/- 2%
Złoty			x 0.1	+/- 5%
Srebro			x 0.01	+/- 10%

Tranzystor to urządzenie półprzewodnikowe, które służy do wzmacniania sygnału oraz otwierania lub zamykania obwodu. Istnieją dwa typy tranzystorów, a mianowicie **NPN** i **PNP**, o podobnym symbolu obwodu. Tranzystor jest podstawowym urządzeniem powszechnie stosowanym w nowoczesnym sprzęcie elektronicznym. Ma najszybszą reakcję i dokładne działanie jako wzmacniacz i urządzenie przełączające i może działać jako pojedyncze urządzenie / komponent lub jako część układu scalonego (IC). Układ scalony składa się z ponad tysiąca do miliona tranzystorów.



Tranzystor



NPN

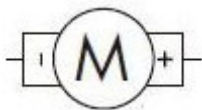
PNP

Symbol obwodu

Jeśli zapoznałeś się już z powyższymi informacjami i chciałbyś dowiedzieć się więcej na temat znajomości obwodów elektrycznych, a także tego, jak przydatne mogą być ich komponenty, przeprowadźmy następujące eksperymenty.

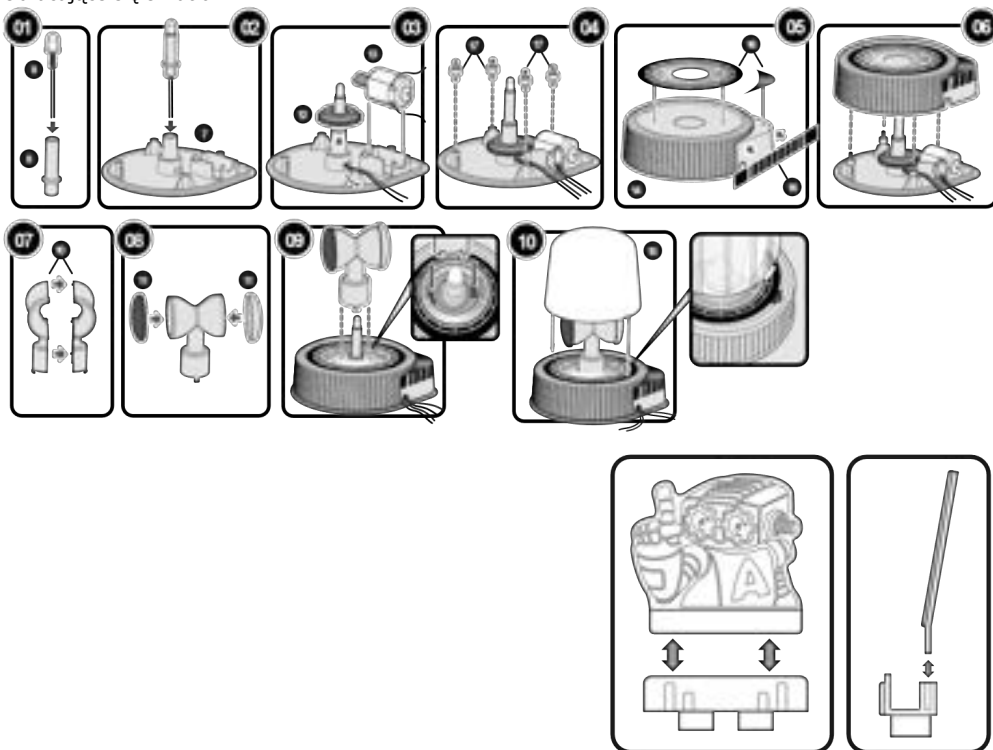
Silnik jest urządzeniem, które wytwarza ruch obrotowy po dostarczeniu energii elektrycznej. Analogicznie, bateria jest jak pompa, która pompuje wodę przez pale (przewody). Gdy obwód jest podłączony, może przepływać przez niego energia elektryczna. Przepływająca energia elektryczna nazywana jest prądem. Prąd to przepływ ładunków elektrycznych. Natężenie prądu to ilość ładunku elektrycznego przepływającego przez przewód w ciągu sekundy.

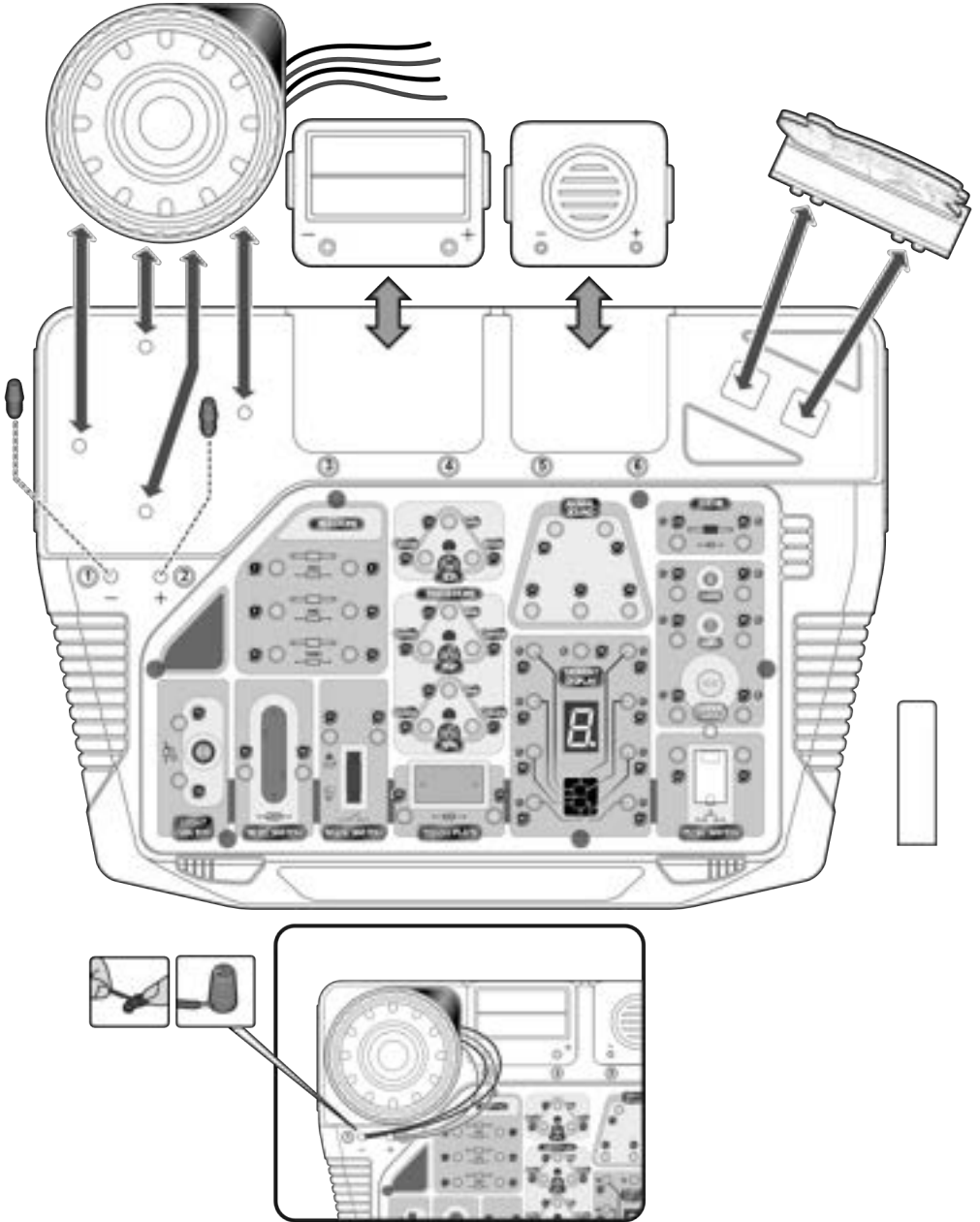
Innym często spotykanym terminem związanym z elektrycznością jest napięcie. Napięcie odnosi się do energii elektrycznej na jednostkę ładunku. Jest to energia elektryczna każdej jednostki ładunku elektrycznego.



11. Montaż

Obracające się światło LED:



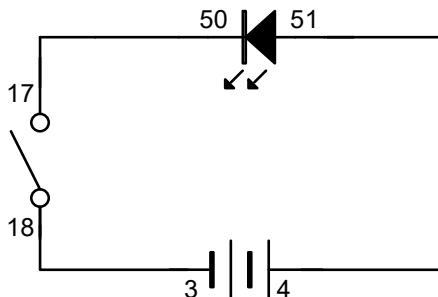


12. Eksperymenty

12.1 Prosty obwód LED

Sekwencja okablowania

4-51, 50-17, 18-3



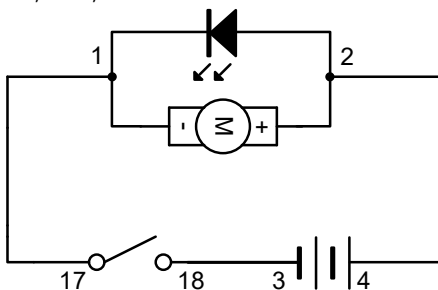
Wykonaj wszystkie połączenia przewodów zgodnie z kolejnością. Po włączeniu dioda LED zaświeci się. Po wyłączeniu dioda LED zgaśnie.

Możesz samodzielnie zmienić diodę LED na inną. Wystarczy spojrzeć na schemat obwodu i podłączyć inną diodę LED w ten sam sposób. Tylko nie pomył biegunów dodatniego (+) i ujemnego (-). W przeciwnym razie dioda LED nie zaświeci się.

12.2 Obracające się światło LED

Sekwencja okablowania

4-2, 1-17, 18-3

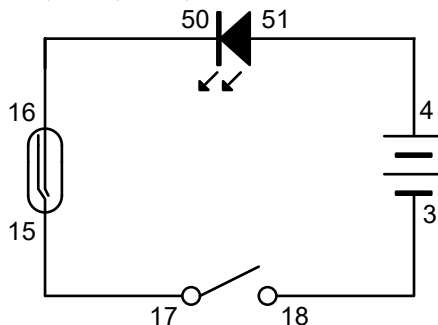


Wykonaj wszystkie połączenia przewodów zgodnie z kolejnością. Włącz główny przełącznik. Obracająca się dioda LED zaświeci się i zacznie się obracać!

12.3 Funkcja kontaktronu

Sekwencja okablowania

4-51, 50-16, 15-17, 18-3

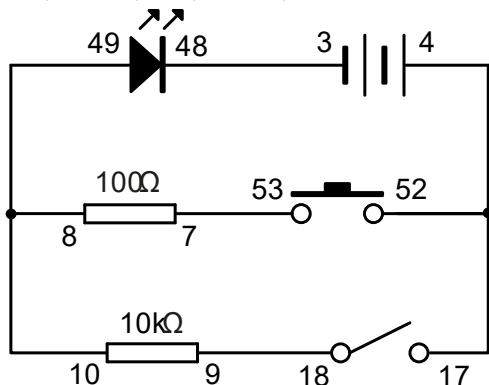


Wykonaj wszystkie połączenia przewodów zgodnie z kolejnością. Włącz wyłącznik główny. Uzyskaj dostęp do kontaktronu za pomocą drążka magnetycznego. Po podłączeniu obwodu zaświeci się dioda LED. Po odsunięciu drążka magnetycznego obwód zostanie odłączony, a dioda LED zgaśnie.

12.4 Demonstracja rezystancji i natężenia prądu

Sekwencja okablowania

48-3, 4-52-17, 18-9, 10-49-8, 7-53

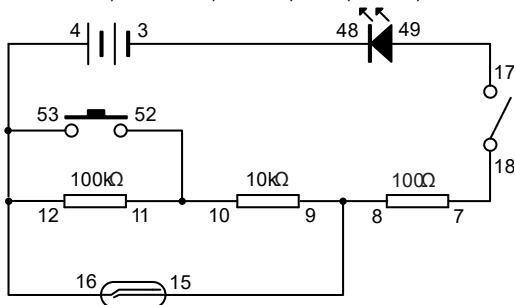


Wykonaj wszystkie połączenia przewodów zgodnie z kolejnością. Włącz główny przełącznik. Dioda LED zaświeci się słabym światłem. Wyłącz główny przełącznik, aby go wyłączyć. Teraz naciśnij przełącznik push. Dioda LED zaświeci się jaśniej. Dzieje się tak, ponieważ ścieżka głównego przełącznika ma rezystor o większej rezystancji. Prąd płynący przez tę ścieżkę będzie więc mniejszy, a w rezultacie dioda LED będzie świecić słabiej. Z drugiej strony, ścieżka przełącznika push ma rezystor o mniejszej rezystancji. Prąd płynący przez tę ścieżkę będzie więc większy, a dioda LED będzie jaśniej świecić.

12.5 Rezystory w połączeniu szeregowym

Sekwencja okablowania

4-12-16-53, 52-11-10, 9-15-8, 7-18, 17-49, 48-3

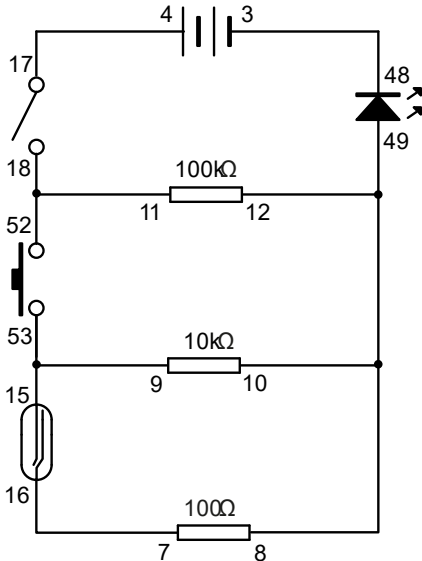


Wykonaj wszystkie połączenia przewodów zgodnie z kolejnością. Włącz główny przełącznik. Prąd elektryczny z akumulatorów będzie musiał przejść przez 3 rezystory, dlatego dioda LED będzie świecić bardzo słabo lub najwyraźniej nie będzie świecić wcale. Naciśnij przełącznik push. Tym razem prąd będzie musiał przepływać tylko przez 2 rezystory, więc dioda LED będzie świecić jaśniej niż poprzednio. Uzyskaj dostęp do kontaktronu z biegunem magnetycznym. Tym razem prąd będzie musiał przepływać tylko przez 1 rezystor, więc dioda LED będzie świecić jeszcze jaśniej. Analogicznie, rezystor jest jak przeszkoda. Im mniej przeszkód znajduje się w obwodzie, tym więcej prądu może przez niego przepływać.

12.6 Rezystory w połączeniu równoległym

Sekwencja okablowania

4-17, 18-11-52, 53-9-15, 16-7, 8-10-12-49, 48-3

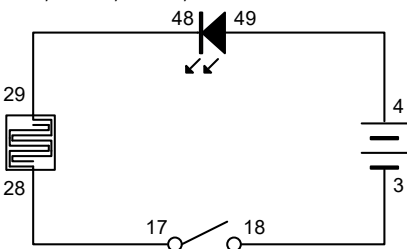


Wykonaj wszystkie połączenia przewodów zgodnie z kolejnością. Włącz główny przełącznik. Prąd elektryczny z baterii przepływnie przez rezystor 100kΩ, aby zapalić diodę LED. Dioda LED zaświeci się bardzo słabo lub najwyraźniej nie zaświeci się wcale. Naciśnij przełącznik. Teraz dostępna jest jeszcze jedna ścieżka. Chociaż w tej ścieżce znajduje się rezystor 10kΩ, jest to nadal dodatkowa ścieżka, przez którą przepływna prąd. W związku z tym przez diodę LED popływnie większy prąd i będzie ona świecić jaśniej! Nie zwalnij przełącznika. Uzyskaj dostęp do kontaktronu z biegunem magnetycznym. Teraz dostępna jest jeszcze jedna dodatkowa ścieżka! W sumie są teraz 3 ścieżki, przez które może przepływnać prąd, dzięki czemu dioda LED będzie świecić jasno! Chociaż tym razem w obwodzie znajdują się również 3 rezystory, dioda LED świeci jasno. Rezystory są połączone równolegle, co powoduje inny rezultat.

12.7 Funkcja płytki dotykowej

Sekwencja okablowania

4-49, 48-29, 28-17, 18-3

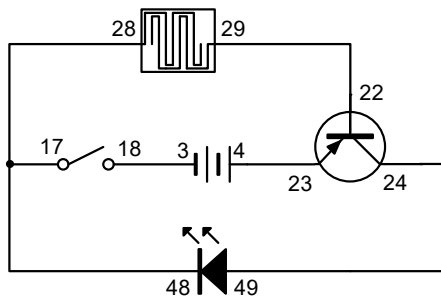


Wykonaj wszystkie połączenia przewodów zgodnie z kolejnością. Włącz główny wyłącznik. Zwilż palec wodą i dotknij płytki dotykowej. Dioda LED zaświeci się bardzo słabo. Oznacza to, że woda ma duży opór i tylko niewielka ilość prądu elektrycznego jest w stanie przez nią przepływnąć. Jeśli umiesz s kroplę słoneją wody na płytce dotykowej, dioda LED zaświeci się jaśniej! Dzieje się tak, ponieważ słona woda jest lepszym przewodnikiem niż zwykła woda, a zatem może przepływnać przez nią więcej prądu.

12.8 Prosta demonstracja funkcji tranzystora PNP

Sekwencja okablowania

4-23, 24-49, 22-29, 28-48-17, 18-3

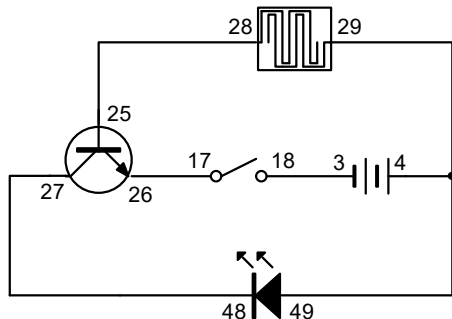


Wykonaj wszystkie połączenia przewodów zgodnie z kolejnością. Włącz główny wyłącznik. Zwilż palec wodą i dotknij płytki dotykowej. Przez płytkę dotykową przepływa bardzo niewielka ilość prądu elektrycznego (jak pokazano w ostatnim eksperymencie), a dioda LED świeci jasnym światłem! Dzieje się tak, ponieważ w tym obwodzie tranzystor PNP jest prawdziwą bramą do diody LED, a płytkę dotykową działa tylko jako przełącznik otwierający bramę! Gdy górna część obwodu nie jest podłączona, prąd nie przepływa przez "Emiter" do "Bazy" tranzystora. Bramka od "emitera" do "kolektora" jest więc zamknięta. Po dotknięciu płytki dotykowej, górny obwód zostaje podłączony; bardzo mała ilość prądu przepływa przez "Emiter" do "Bazy", a następnie bramka "Emitera" do "Kolektora" zostaje otwarta! Prąd elektryczny z baterii może następnie przepływać przez tranzystor do diody LED, a zatem dioda LED będzie świecić jasno!

12.9 Prosta demonstracja działania tranzystora NPN

Sekwencja okablowania

28-25, 26-17, 18-3, 4-29-49, 48-27

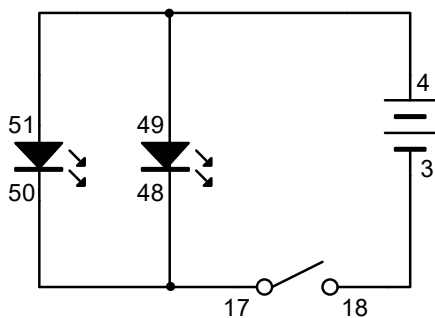


Wykonaj wszystkie połączenia przewodów zgodnie z kolejnością. Włącz główny wyłącznik. Dotknij płytki dotykowej. Przez płytkę dotykową przepływa bardzo niewielka ilość prądu elektrycznego (jak pokazano w ostatnim eksperymencie), a dioda LED świeci jasnym światłem! Jest to prawie to samo, co w przypadku tranzystora PNP. Tylko polaryzacje tranzystora są odwrócone.

12.10 Dwie diody LED połączone równolegle

Sekwencja okablowania

4-49-51, 50-48-17, 18-3

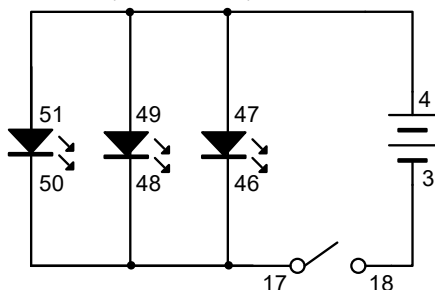


Wykonaj wszystkie połączenia przewodów zgodnie z sekwencją. Po włączeniu obie diody LED zaświecą się. Po wyłączeniu obie diody LED zgasną.

12.11 Trzy diody LED połączone równolegle

Sekwencja okablowania

4-47-49-51, 50-48-46-17, 18-3

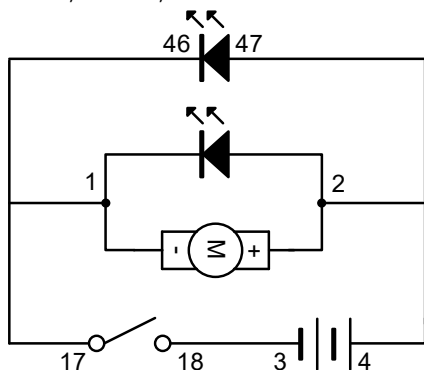


Wykonaj wszystkie połączenia przewodów zgodnie z kolejnością. Po włączeniu zapalą się trzy diody LED. Po wyłączeniu wszystkie trzy diody LED zgasną.

12.12 Dioda LED i obracająca się dioda LED z jednym przełącznikiem

Sekwencja okablowania

4-2-47, 46-1-17, 18-3

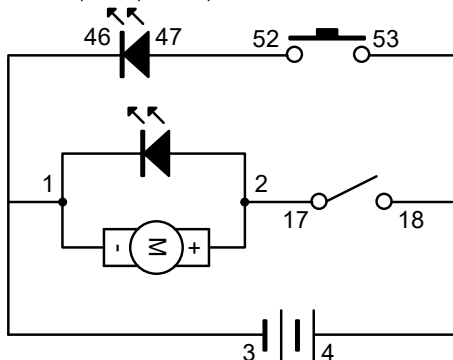


Wykonaj wszystkie połączenia przewodów zgodnie z kolejnością. Włącz główny przełącznik. Dioda LED zaświeci się, a obracająca się dioda LED będzie włączona. Po wyłączeniu głównego przełącznika oba urządzenia zostaną wyłączone w tym samym czasie.

12.13 Dioda LED i obracająca się dioda LED z oddzielnymi przełącznikami

Sekwencja okablowania

4-18-53, 17-2, 52-47, 46-1-3

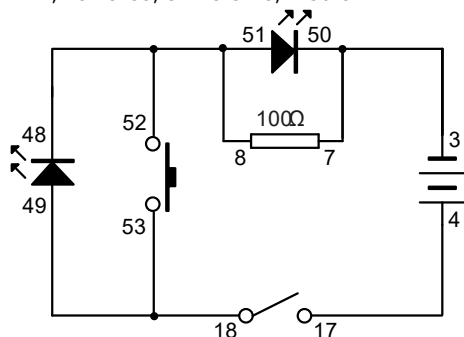


Wykonaj wszystkie połączenia przewodów zgodnie z kolejnością. Po włączeniu przełącznika głównego zaświeci się wirująca dioda LED. Po naciśnięciu przełącznika push zaświeci się dioda LED. Są one kontrolowane przez oddzielne przełączniki, dzięki czemu można je włączać i wyłączać indywidualnie.

12.14 Podstawowe działanie obwodu LED

Sekwencja okablowania

4-17, 18-49-53, 52-48-51-8, 7-50-3

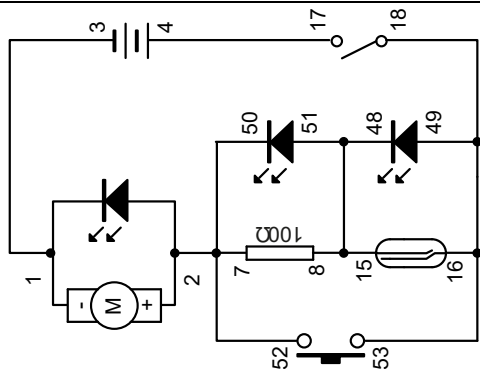


Wykonaj wszystkie połączenia przewodów zgodnie z kolejnością. Włącz główny przełącznik. Mała dioda LED zaświeci się, ale duża dioda LED nie. Po naciśnięciu przycisku przełącznika duża dioda LED zaświeci się, ale mała dioda LED zostanie wyłączona.

12.15 Obracające się światło LED w zaawansowanym obwodzie działania diod LED

Sekwencja okablowania

4-17, 18-49-53-16, 15-48-51-8, 7-50-52-2, 1-3

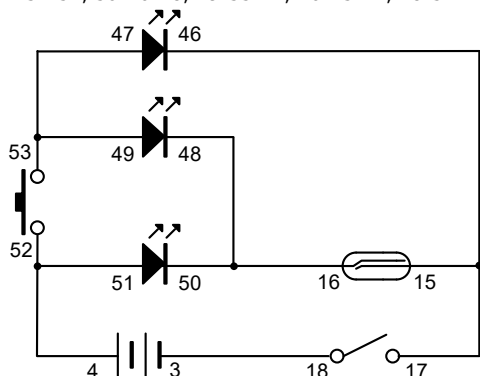


Wykonaj wszystkie połączenia przewodów zgodnie z kolejnością. Włącz główny przełącznik. Niebieska dioda LED zaświeci się, ale pozostałe diody LED nie zaświecą się. Po uzyskaniu dostępu do przełącznika kontaktorowego z biegunem magnetycznym niebieska dioda LED zgaśnie i zaświeci się tylko żółta dioda LED. Naciśnij przełącznik. Tym razem zaświeci się tylko wirująca dioda LED!

12.16 Kombinacja diod LED

Sekwencja okablowania

4-52-51, 50-16-48, 49-53-47, 46-15-17, 18-3

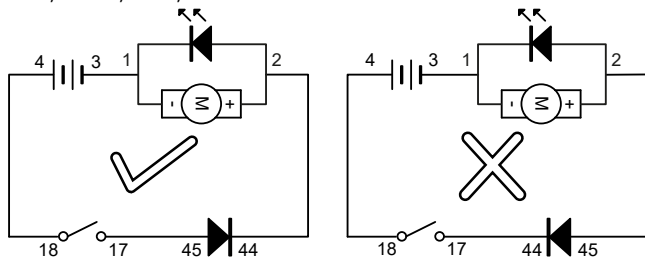


Wykonaj wszystkie połączenia przewodów zgodnie z kolejnością. Włącz główny przełącznik. Naciśnięcie przycisku lub uzyskanie dostępu do kontaktorowi za pomocą dźwieszki magnetycznej lub wykonanie obu tych czynności jednocześnie spowoduje różne działanie diod LED!

12.17 Funkcja diody

Sekwencja okablowania

4-18, 17-45, 44-2, 1-3

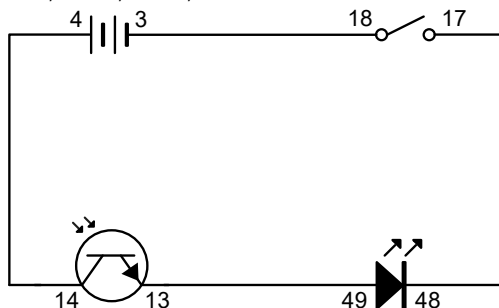


Wykonaj wszystkie połączenia przewodów zgodnie z kolejnością. Włącz główny wyłącznik. Silnik zacznie się obracać. Jeśli odwrócisz biegunowość połączenia diody, zmieniając nieco połączenie przewodów, 17 podłącz do 44, a 2 podłącz do 45, tym razem okaże się, że obwód nie działa. Dzieje się tak, ponieważ dioda nie pozwala na przepływ prądu w odwrotnym kierunku. Dlatego tym razem obwód nie działa.

12.18 Prosta demonstracja czujnika światła

Sekwencja okablowania

4-14, 13-49, 48-17, 18-3

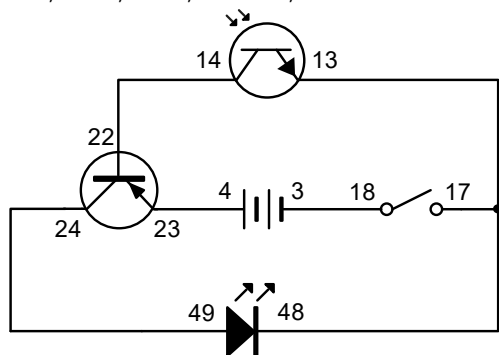


Wykonaj wszystkie połączenia przewodów zgodnie z kolejnością. Włącz główny przełącznik. Można zauważyć, że dioda LED świeci bardzo słabo. Oznacza to, że przepływa przez nią bardzo niewielka ilość prądu. Zależy to od intensywności światła padającego na czujnik światła. Jeśli przeprowadzisz ten eksperyment w ciemniejszym miejscu, dioda LED może w ogóle się nie zaświecić. Jeśli użyjesz latarki, aby oświetlić czujnik światła, zobaczysz, że dioda LED świeci jasno. Dzieje się tak dlatego, że gdy jest więcej światła, więcej prądu może przepłynąć przez czujnik światła i zapalić diodę LED.

12.19 Praktyczny przykład: Dioda LED wyzwalana światłem

Sekwencja okablowania

4-23, 22-14, 24-49, 48-13-17, 18-3

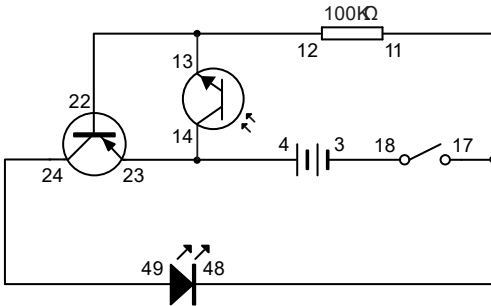


Wykonaj wszystkie połączenia przewodów zgodnie z kolejnością. Włącz główny przełącznik. Tym razem, nawet przy niewielkiej ilości światła, dioda LED będzie świecić jasno! Dzieje się tak, ponieważ w tym obwodzie tranzystor PNP jest prawdziwą bramą do diody LED, a czujnik światła działa tylko jako przełącznik otwierający bramę! Gdy górna część obwodu nie jest podłączona, prąd nie przepływa przez "Emiter" do "Bazy" tranzystora. Tak więc bramka "emitera" do "kolektora" jest zamknięta. Gdy światło pada na czujnik światła, górny obwód jest podłączony; bardzo mała ilość prądu przepływa przez "Emiter" do "Bazy", a następnie bramka "Emitera" do "Kolektora" jest otwarta! Prąd elektryczny z baterii może następnie przepływać przez tranzystor do diody LED, a zatem dioda LED będzie świecić jasno! Ten obwód sprawia, że czujnik światła staje się czułym przełącznikiem wykrywającym światło.

12.20 Praktyczny przykład: Dioda LED wyzwalana ciemnością

Sekwencja okablowania

4-14-23, 22-13-12, 24-49, 48-11-17, 18-3

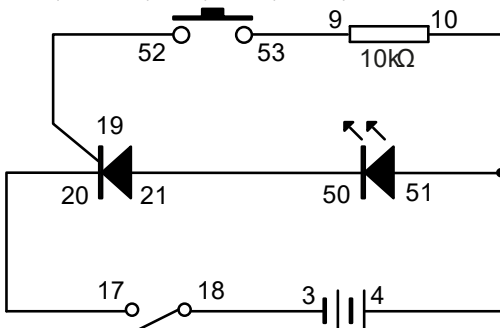


Wykonaj wszystkie połączenia przewodów zgodnie z kolejnością. Włącz główny przełącznik. Jeśli znajdujesz się w pomieszczeniu z jasnym światłem, dioda LED nie zaświeci się. Po zasłonięciu czujnika światła dioda LED zaświeci się. Oznacza to, że dioda LED jest włączana przez ciemność, a nie światło!

12.21 Demonstracja prostej funkcji SCR

Sekwencja okablowania

21-50, 51-4-10, 9-53, 52-19, 20-17, 18-3

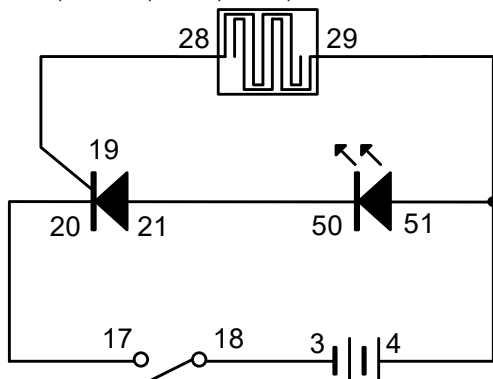


Wykonaj wszystkie połączenia przewodów zgodnie z kolejnością. Włącz główny wyłącznik. Nic się nie dzieje. Następnie naciśnij przełącznik bez zwalniania go. Górna część obwodu jest podłączona, a zatem prąd może przepływać przez bramkę (G) i katodę (K) SCR, ponieważ jest to kompletny obwód. Jest to równoznaczne z otwarciem bramki SCR. Główny prąd może przepływać przez anodę (A) i katodę (K), co powoduje zapalenie diody LED. Zwolnij przełącznik. Dioda LED będzie nadal świecić! Dzieje się tak, ponieważ "bramka" jest już otwarta przez prąd początkowy z górnego obwodu, a zatem prąd główny będzie nadal płynął przez SCR. Dlatego jeśli chcesz wyłączyć diodę LED, musisz wyłączyć główny przełącznik.

12.22 Praktyczny przykład SCR

Sekwencja okablowania

21-50, 51-4-29, 28-19, 20-17, 18-3

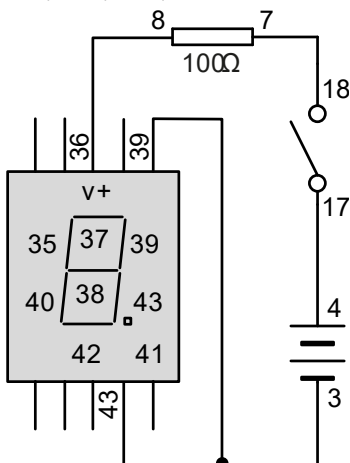


Wykonaj wszystkie połączenia przewodów zgodnie z kolejnością. Włącz główny wyłącznik. Nic się nie dzieje. Gdy na płytkę dotykową spadnie kropla wody, dioda LED zaświeci się. Nawet po wyschnięciu płytki dotykowej dioda LED będzie nadal świecić, ponieważ bramka SCR została otwarta. W oparciu o tę zasadę można skonfigurować monitor wskazujący, czy przyżył w kiedykolwiek osiągnął określoną wysokość, czy wystąpił deszcz w okresie, gdy jesteś poza domem na wycieczce, czy coś kiedykolwiek zamknięto..... itp.

12.23 Dioda LED segmentu cyfrowego wyświetlająca "1"

Sekwencja okablowania

4-17, 18-7, 8-36, 3-39-43

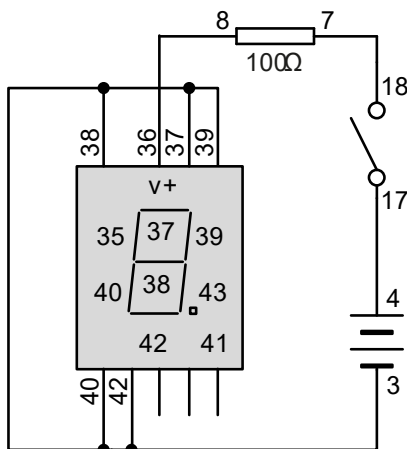


Wykonaj wszystkie połączenia przewodów zgodnie z sekwencją. Po włączeniu dioda LED segmentu cyfrowego wyświetli "1".

12.24 Dioda LED segmentu cyfrowego wyświetlająca "2"

Sekwencja okablowania

4-17, 18-7, 8-36, 3-37-38-39-40-42

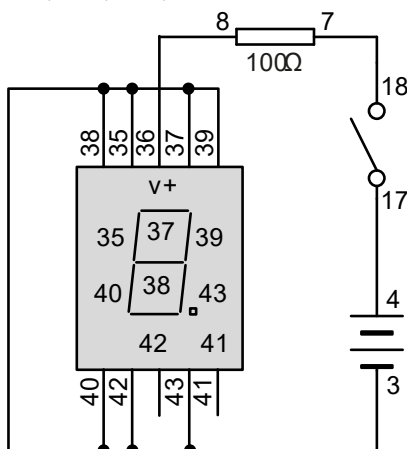


Wykonaj wszystkie połączenia przewodów zgodnie z sekwencją. Po włączeniu dioda LED segmentu cyfrowego wyświetli "2".

12.25 Cyfrowy segment LED wyświetlający "8"

Sekwencja okablowania

4-17, 18-7, 8-36, 3-35-37-38-39-40-42-43

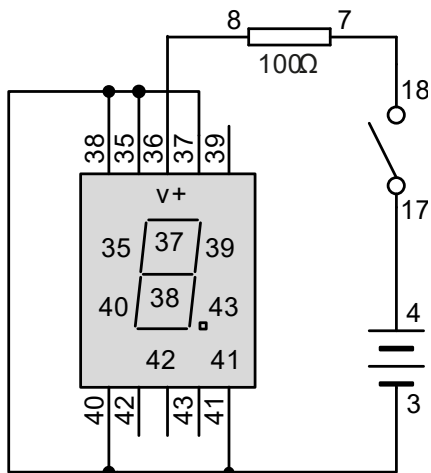


Wykonaj wszystkie połączenia przewodów zgodnie z sekwencją. Po włączeniu dioda LED segmentu cyfrowego wyświetli "8".

12.26 Dioda LED segmentu cyfrowego wyświetlająca "F".

Sekwencja okablowania

4-17, 18-7, 8-36, 3-35-37-38-40-41

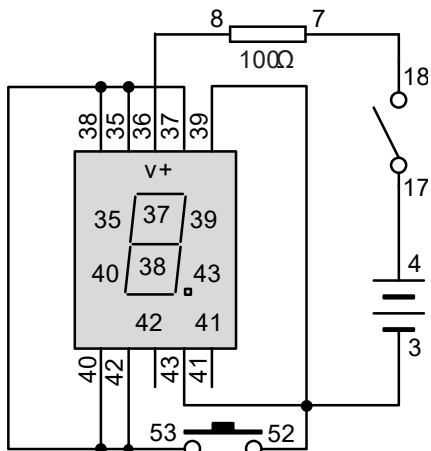


Wykonaj wszystkie połączenia przewodów zgodnie z sekwencją. Po włączeniu dioda LED segmentu cyfrowego wyświetli "F".

12.27 Przełączanie diody LED segmentu cyfrowego między "1" i "8"

Sekwencja okablowania

4-17, 18-7, 8-36, 3-39-43-52, 53-35-37-38-40-42

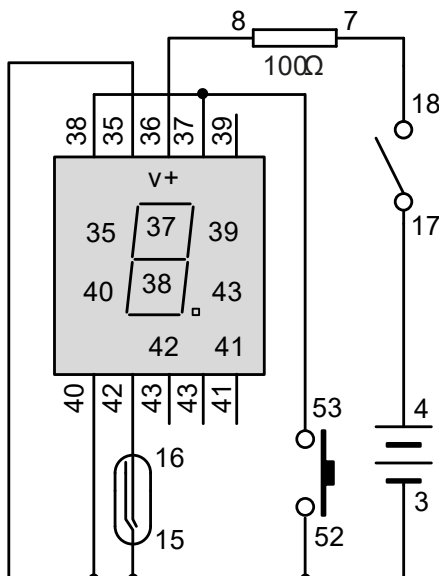


Wykonaj wszystkie połączenia przewodów zgodnie z kolejnością. Włącz główny przełącznik. Dioda LED segmentu cyfrowego wyświetli "1". Po naciśnięciu przycisku, dioda LED segmentu cyfrowego wyświetli "8".

12.28 Cyfrowy segment LED przełączający pomiędzy "1", "L", "F" i "E"

Sekwencja okablowania

4-17, 18-7, 8-36, 35-40-15-3-52, 53-37-38, 42-16

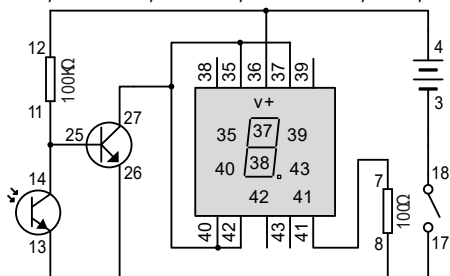


Wykonaj wszystkie połączenia przewodów zgodnie z kolejnością. Włącz główny przełącznik. Dioda LED segmentu cyfrowego wyświetli "I". Jeśli uzyskasz dostęp do przełącznika kontaktronowego z biegunem magnetycznym, dioda LED segmentu cyfrowego wyświetli "L"; lub jeśli naciśniesz przełącznik przyciskowy, dioda LED segmentu cyfrowego wyświetli "F". Jeśli oba przełączniki zostaną aktywowane w tym samym czasie, na wyświetlaczu pojawi się "E".

12.29 Siedmiosegmentowy wyświetlacz LED sterowania oświetleniem - C (typ ciemny)

Sekwencja okablowania

3-18, 11-25-14, 4-36-12, 13-17-26-8, 7-41, 27-35-37-40-42

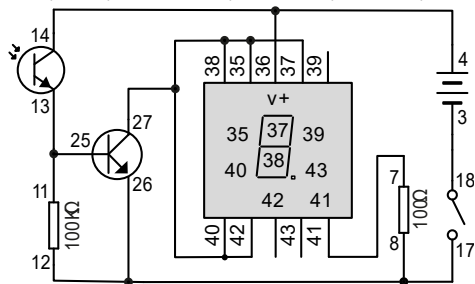


Wykonaj wszystkie połączenia przewodów zgodnie z kolejnością. Włącz główny wyłącznik. Jeśli w pomieszczeniu jest wystarczająco dużo światła, na wyświetlaczu zaświeci się tylko wskaźnik zasilania. Zakryj czujnik światła, a na wyświetlaczu pojawi się litera C. Jeśli zakryjesz czujnik światła, litera C zniknie....

12.30 Siedmiosegmentowy wyświetlacz LED sterowania oświetleniem - E (typ oświetlenia)

Sekwencja okablowania

3-18, 41-7, 17-26-12-8, 11-13-25, 4-36-14, 27-35-38-37-40-42

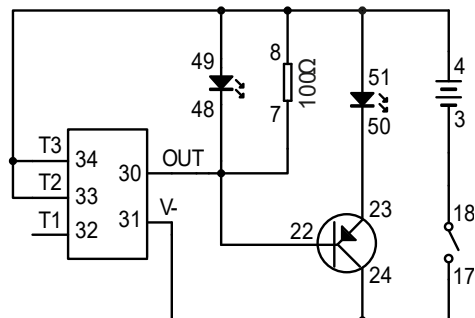


Wykonaj wszystkie połączenia przewodów zgodnie z kolejnością. Włącz główny wyłącznik. Wskaźnik zasilania zaświeci się, a na wyświetlaczu pojawi się litera E. Po zamknięciu czujnika światła na wyświetlaczu zaświeci się tylko wskaźnik zasilania. Po odsonięciu czujnika światła ponownie zaświeci się litera E.

12.31 Migające diody LED

Sekwencja okablowania

3-18, 8-4-51-49-33-34, 50-23, 7-22-30-48, 17-24-31

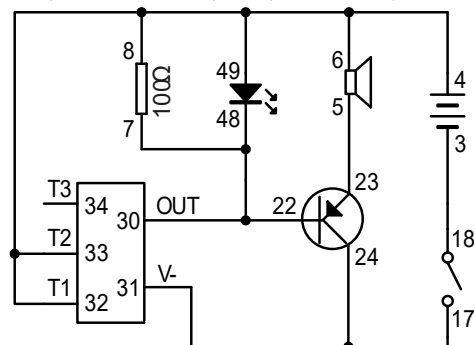


Wykonaj wszystkie połączenia przewodów zgodnie z kolejnością. Włącz główny przełącznik. Następnie diody LED zaczną migać.

12.32 Dźwięk szczekania psa z migającą diodą LED

Sekwencja okablowania

3-18, 4-6-8-32-33-49, 5-23, 7-22-30-48, 17-24-31

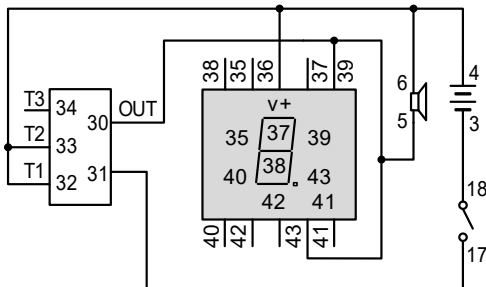


Wykonaj wszystkie połączenia przewodów zgodnie z kolejnością. Włącz główny przełącznik. Głośnik wyda dźwięk szczekania psa, a dioda LED będzie migać w jego rytm.

12.33 Dźwięk szczekania psa i migająca cyfra "1"

Sekwencja okablowania

3-18, 4-6-36-32-33, 17-31, 30-39-43-5

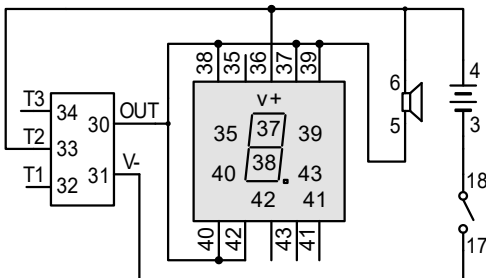


Wykonaj wszystkie połączenia elektryczne zgodnie z kolejnością. Po włączeniu głośnik będzie emitował dźwięk szczekania psa. Na ekranie wyświetlacza pojawi się również cyfra "1" i będzie migać w jej rytm.

12.34 Dźwięk piania koguta i migająca cyfra "2"

Sekwencja okablowania

3-18, 4-6-36-33, 17-31, 5-30-37-38-39-40-42

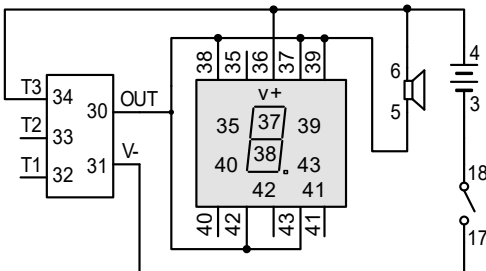


Wykonaj wszystkie połączenia elektryczne zgodnie z kolejnością. Po włączeniu głośnik będzie emitował dźwięk piania koguta. Na ekranie wyświetlacza pojawi się również cyfra "2" i będzie migać w jej rytm.

12.35 Dźwięk miauczenia kota i migająca cyfra "3"

Sekwencja okablowania

3-18, 4-6-36-34, 17-31, 30-37-39-38-42-43-5

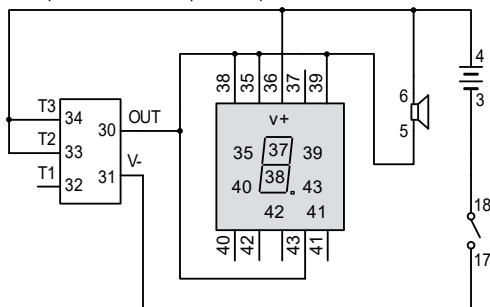


Wykonaj wszystkie połączenia elektryczne zgodnie z kolejnością. Po włączeniu głośnik wyda dźwięk miauczenia kota. Na ekranie wyświetlacza pojawi się również cyfra "3" i będzie migać w jej rytm.

12.36 Dźwięk rżenia konia i migająca cyfra "4"

Sekwencja okablowania

3-18, 4-36-33-34-6, 17-31, 30-35-38-39-43-5

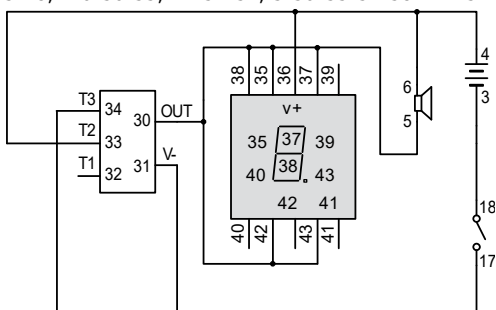


Wykonaj wszystkie połączenia przewodów zgodnie z kolejnością. Po włączeniu głośnik zacznie wydawać rżenie konia. Na ekranie wyświetlacza pojawi się również cyfra "4" i będzie migać w jej rytm.

12.37 Świergot ptaków i migająca cyfra "5"

Sekwencja okablowania

3-18, 4-6-36-33, 17-31-34, 5-30-35-37-38-42-43

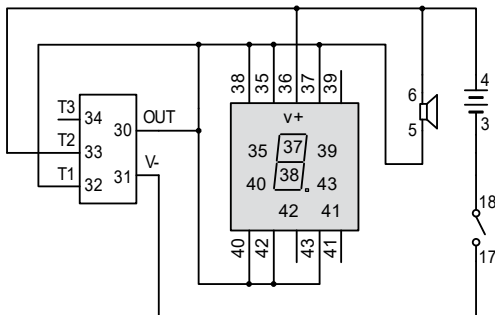


Wykonaj wszystkie połączenia przewodów zgodnie z kolejnością. Po włączeniu głośnik będzie emitował dźwięk ćwierkania ptaków. Na ekranie wyświetlacza pojawi się również cyfra "5" i będzie migać w jej rytm.

12.38 Odgłos kwakania kaczki i migająca cyfra "6"

Sekwencja okablowania

3-18, 4-6-36-33, 17-31, 5-30-32-35-37-38-40-42-43

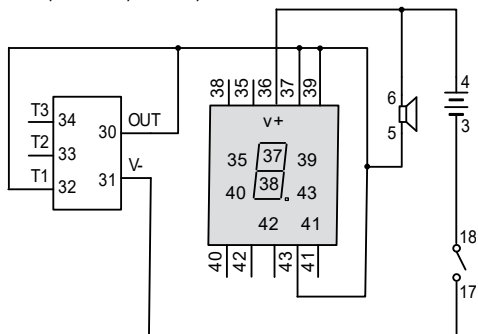


Wykonaj wszystkie połączenia przewodów zgodnie z kolejnością. Po włączeniu głośnik wyda dźwięk kaczego kwakania. Na ekranie wyświetlacza pojawi się również cyfra "6" i będzie migać w jej rytm.

12.39 Dźwięk beczenia owcy i migająca cyfra "7"

Sekwencja okablowania

3-18, 4-6-36, 17-31, 5-30-32-37-39-43

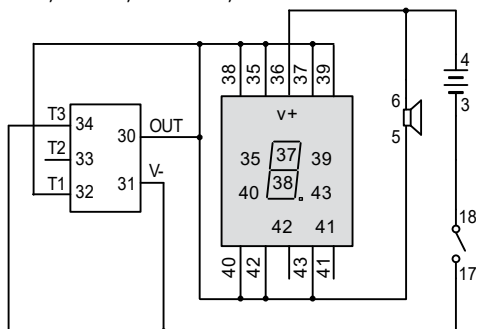


Wykonaj wszystkie połączenia przewodów zgodnie z kolejnością. Po włączeniu głośnik będzie wydawał dźwięk owiec. Na ekranie wyświetlacza pojawi się również cyfra "7" i będzie migać w jej rytm.

12.40 Dźwięk kukułki i migająca cyfra "8"

Sekwencja okablowania

3-18, 4-6-36, 17-31-34, 5-30-32-35-37-38-39-40-42-43

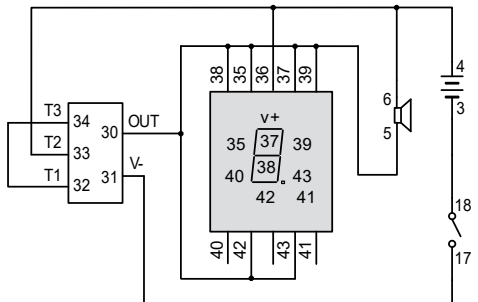


Wykonaj wszystkie połączenia elektryczne zgodnie z kolejnością. Po włączeniu głośnik będzie emitował dźwięk kukułki. Na wyświetlaczu pojawi się również cyfra "8" i będzie migać w jej rytm.

12.41 Dźwięk rechotu żaby i migająca cyfra "9"

Sekwencja okablowania

3-18, 4-6-36-33, 32-34, 5-30-35-37-38-39-42-43, 17-31

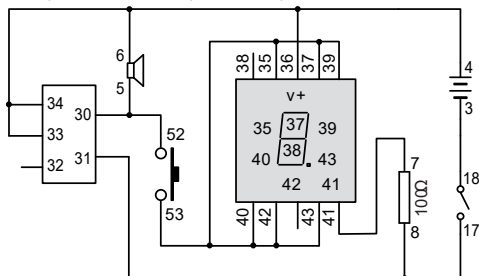


Wykonaj wszystkie połączenia przewodów zgodnie z kolejnością. Po włączeniu głośnik będzie emitował odgłos rechotania żaby. Na ekranie wyświetlacza pojawi się również cyfra "9" i będzie migać w jej rytm.

12.42 Ręczne sterowanie rżeniem konia za pomocą przełącznika sterującego migającą cyfrą "0"

Sekwencja okablowania

3-18, 4-6-36-34-33, 5-30-52, 53-40-42-43-35-37-39, 41-7, 8-31-17

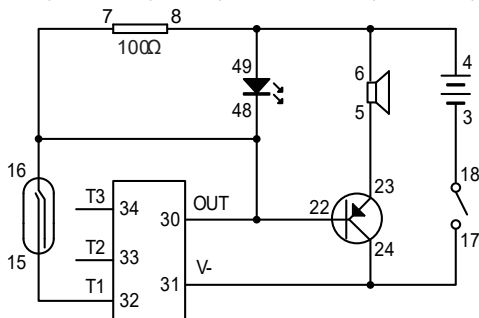


Wykonaj wszystkie połączenia przewodów zgodnie z kolejnością. Po włączeniu głośnik wyda dźwięk rżenia konia, a kropka w prawym dolnym rogu ekranu wyświetlacza zaświeci się. Po naciśnięciu przełącznika bez zwalniania go, cyfra 0 zaświeci się i będzie migać w rytm rżenia konia.

12.43 Magnes sterujący dźwiękiem beczenia owiec z migającą diodą LED

Sekwencja okablowania

3-18, 17-24-31, 32-15, 16-7-30-22-48, 49-8-6-4, 5-23

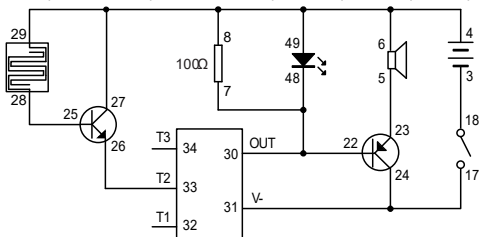


Wykonaj wszystkie połączenia przewodów zgodnie z kolejnością. Włącz wyłącznik główny. Uzyskaj dostęp do kontaktronu za pomocą drążka magnetycznego. Głośnik wyda dźwięk beczenia owiec, a dioda LED będzie migać w rytm beczenia owiec.

12.44 Dotykowy dźwięk piania koguta z migającą diodą LED

Sekwencja okablowania

3-18, 17-24-31, 30-7-22-48, 33-26, 28-25, 23-5, 29-27-8-49-6-4

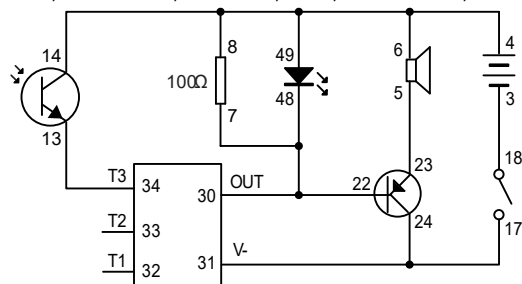


Wykonaj wszystkie połączenia przewodów zgodnie z kolejnością. Włącz główny wyłącznik. Dotknij palcem płytki dotykowej. Głośnik wyda dźwięk piania koguta, a dioda LED będzie migać w jego rytm. Należy pamiętać, że w przypadku braku reakcji konieczne może być zwilżenie palca i ponowna próba.

12.45 Dźwięk miauczenia kota sterowany światłem z migającą diodą LED

Sekwencja okablowania

3-18, 22-48-7-30, 31-24-17, 18-3, 4-6-8-49-14, 13-34

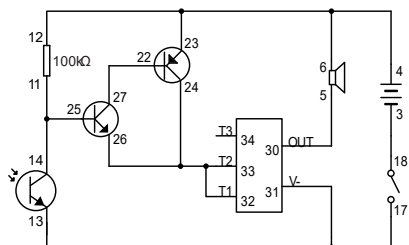


Wykonaj wszystkie połączenia przewodów zgodnie z kolejnością. Włącz główny przełącznik. Gdy na czujnik światła padnie światło, głośnik wyda dźwięk miauczenia kota, a dioda LED będzie migać w rytm tego dźwięku.

12.46 Dźwięk szczekania psa aktywowany ciemnością

Sekwencja okablowania

3-18, 4-6-23-12, 5-30, 17-31-13, 24-26-33-32, 22-27, 11-14-25

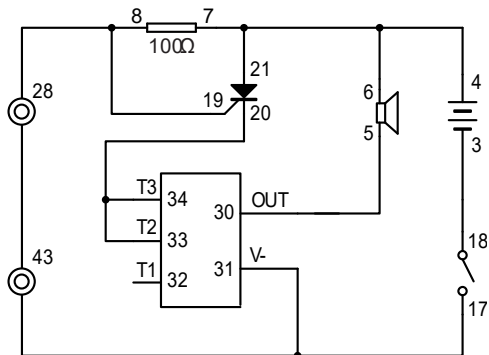


Wykonaj wszystkie połączenia przewodów zgodnie z kolejnością. Włącz główny przełącznik i całkowicie zakryj czujnik światła. Z głośnika będzie słychać szczekanie psa. Po odsłonięciu czujnika światła szczekanie psa ustanie.

12.47 Alarm bezpieczeństwa oparty na odłączeniu okablowania

Sekwencja okablowania

3-18, 17-43-31, 30-5, 4-6-21-7, 8-28-19, 20-33-34, 28-43

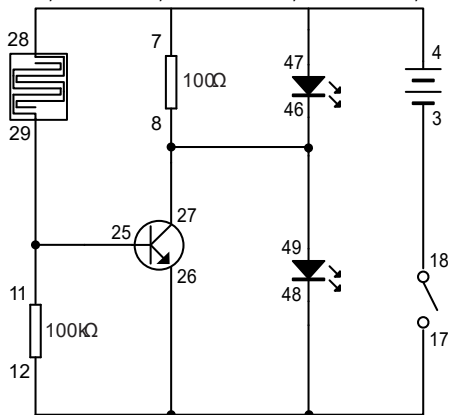


Wykonaj wszystkie połączenia przewodów zgodnie z kolejnością. Włącz główny wyłącznik. Nic się nie dzieje. Po odłączeniu przewodu łączącego sprężynę 28 z 43 głośnik wyda dźwięk rżenia konia! Ten obwód może być używany jako system alarmowy. Na przykład, gdy ktoś potknie się o linkę alarmową, rżenie konia ostrzeże cię przed intruzem!

12.48 Alarm LED poziom wody

Sekwencja okablowania

3-18, 4-7-28-47, 17-48-12-26, 8-27-49-46, 11-29-25



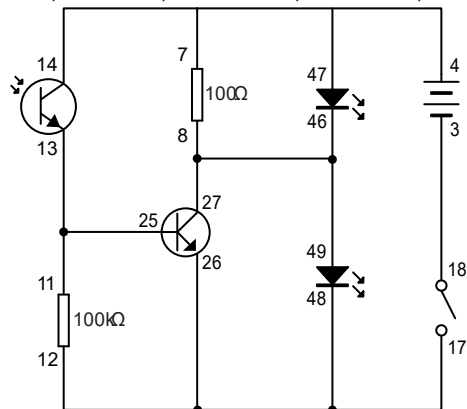
Wykonaj wszystkie połączenia przewodów zgodnie z kolejnością. Włącz główny wyłącznik. Upuść kroplę wody na płytkę dotykową. Zapali się wielokolorowa dioda LED, a niebieska dioda LED zgaśnie. Zetrzyj wodę z płytki dotykowej. Niebieska dioda LED zaświeci się, a wielokolorowa dioda LED zgaśnie.

Zasada ta może być stosowana do ostrzegania o poziomie wody. Podobny obwód należy umieścić w miejscu, w którym poziom wody ma być nadzorowany. Gdy poziom wody przekroczy poziom ostrzegawczy, wielokolorowa dioda LED zaświeci się, a niebieska dioda LED zgaśnie. Gdy poziom wody spadnie poniżej poziomu ostrzegawczego, wielokolorowa dioda LED zgaśnie, a niebieska dioda LED zaświeci się.

12.49 Wskaźnik natężenia światła

Sekwencja okablowania

3-18, 4-7-14-47, 17-12-26-48, 8-27-46-49, 11-13-25

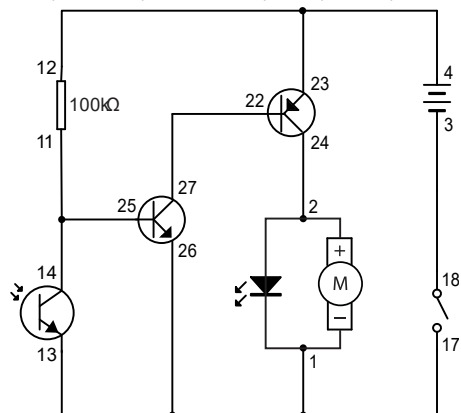


Wykonaj wszystkie połączenia przewodów zgodnie z kolejnością. Włącz główny przełącznik. Gdy na czujnik światła pada światło, wielokolorowa dioda LED zaświeci się, ale niebieska dioda LED nie. Całkowicie zakryj czujnik światła. Ponieważ na czujnik nie pada światło, wielokolorowa dioda LED zgaśnie, a niebieska dioda LED zaświeci się. Gdy nic nie zakrywa czujnika światła, wielokolorowa dioda LED zaświeci się, a niebieska dioda LED ponownie zgaśnie. Może to służyć jako wskaźnik natężenia światła.

12.50 Obracając się światło LED aktywowane ciemnością

Sekwencja okablowania

3-18, 4-23-12, 26-17-1-13, 24-2, 22-27, 11-14-25

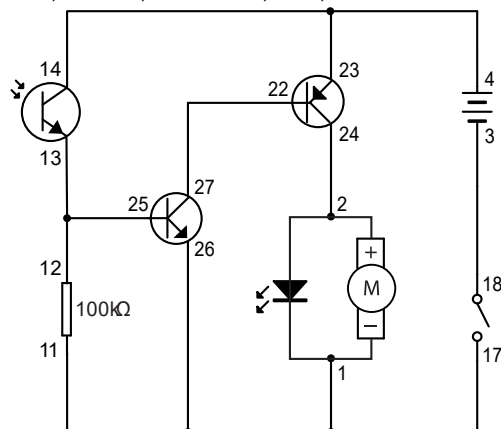


Wykonaj wszystkie połączenia przewodów zgodnie z kolejnością. Włącz główny przełącznik. Zakryj czujnik światła, a obracająca się dioda LED zaświeci się. Odstoń czujnik światła, a obracająca się dioda LED zgaśnie.

12.51 Obrotowe światło LED do sterowania oświetleniem

Sekwencja okablowania

3-18, 4-23-14, 26-17-1-11, 24-2, 22-27 12-13-25



Wykonaj wszystkie połączenia przewodów zgodnie z sekwencją. Włącz główny przełącznik, a następnie zaświeci się obracająca się dioda LED. Gdy czujnik światła jest zakryty, obracająca się dioda LED zgaśnie. Światło jest przełącznikiem obracającej się diody LED w tym obwodzie.

© INFORMACJA O PRAWACH AUTORSKICH

Prawa autorskie do niniejszej instrukcji należą do firmy Velleman nv. Wszelkie prawa na całym świecie zastrzeżone. Żadna część niniejszej instrukcji nie może być kopiowana, powielana, tłumaczona lub redukowana na jakimkolwiek nośniku elektronicznym lub w inny sposób bez uprzedniej pisemnej zgody właściciela praw autorskich.

MANUAL DO UTILIZADOR

1. Introdução



A todos os residentes da União Europeia

Informações ambientais importantes sobre este produto

Este símbolo no aparelho ou na embalagem indica que a eliminação do aparelho após o seu ciclo de vida pode prejudicar o ambiente. Não elimine o aparelho (ou as pilhas) como lixo municipal indiferenciado; deve ser levado a uma empresa especializada para reciclagem. Este aparelho deve ser devolvido ao seu distribuidor ou a um serviço de reciclagem local. Respeite as regras ambientais locais.

Em caso de dúvida, contactar as autoridades locais responsáveis pela eliminação de resíduos.

Obrigado por ter escolhido a Velleman! Leia atentamente o manual antes de colocar este aparelho em funcionamento. Se o aparelho tiver sido danificado durante o transporte, não o instale nem utilize e contacte o seu revendedor.

2. Instruções de segurança



Leia e compreenda este manual e todos os sinais de segurança antes de utilizar este aparelho.



Perigo de asfixia devido às peças pequenas. Não recomendado para crianças com menos de 3 anos.

8+

Idade recomendada: +.

- Este produto destina-se a ser utilizado para fins educativos em escolas e outros conteúdos pedagógicos sob a vigilância de um instrutor adulto, tais como equipamento científico.
- Proteger da chuva, humidade, salpicos e gotas de líquidos, choques e abusos, calor extremo e poeira.

3. Aviso

É necessária a supervisão e assistência de um adulto.

Este aparelho só pode ser utilizado por crianças a partir dos 8 anos de idade.

Não é adequado para crianças com menos de 3 anos de idade devido a peças e componentes pequenos - PERIGO DE ESGOTAMENTO POR INGESTÃO.

Ler e seguir todas as instruções do manual antes da utilização.

Este brinquedo contém peças pequenas e pontos afiados funcionais nos componentes. Manter afastado de crianças com menos de 3 anos de idade.

São necessárias 2 pilhas de tamanho AA (não incluídas).

Guarde as informações e este manual para referência futura.

As instruções para os pais estão incluídas e têm de ser respeitadas.

Não utilizar perto do ouvido! A utilização incorrecta pode causar danos auditivos.

4. Cuidado

Antes de iniciar qualquer experiência, verifique e certifique-se de que todas as ligações eléctricas que fez estão correctas antes de inserir as pilhas e ligar a unidade, uma vez que uma falha pode resultar em danos nos componentes ou na placa de circuitos da unidade.

Quando a experiência estiver concluída, certifique-se de que as pilhas estão desligadas e desligue a unidade antes de retirar os fios.

Não aplicar à experiência quaisquer componentes ou peças para além dos fornecidos com este kit.

O brinquedo não deve ser ligado a mais do que o número recomendado de fontes de alimentação. Os cabelos podem ficar emaranhados se a cabeça da criança estiver demasiado perto da unidade motorizada deste brinquedo.

Este brinquedo contém pontos afiados funcionais nos cabos e fios dos componentes, o que requer cuidado no manuseamento.

5. Orientações gerais

- Consulte a Garantia de Qualidade e Assistência Técnica Velleman® nas últimas páginas deste manual.
- Qualquer modificação do aparelho é proibida por razões de segurança. Os danos causados por modificações efectuadas pelo utilizador no aparelho não são cobertos pela garantia.
- Utilize o aparelho apenas para o fim a que se destina. A utilização do aparelho de uma forma não autorizada anula a garantia.
- Os danos causados pela inobservância de determinadas directrizes deste manual não estão cobertos pela garantia e o revendedor não se responsabiliza por quaisquer defeitos ou problemas daí resultantes.
- Nem a Velleman group nv nem os seus revendedores podem ser responsabilizados por quaisquer danos (extraordinários, acidentais ou indirectos) - de qualquer natureza (financeiros, físicos...) decorrentes da posse, utilização ou falha deste produto.
- Guarde este manual para referência futura.

6. Descrição do produto

Temos o prazer de lhe dar as boas-vindas para experimentar este kit de circuito electrónico pronto a usar, adequado para crianças a partir dos 8 anos de idade. "Ficará espantado" com o que pode aprender, pois a experiência é um conceito realista de electrónica e electricidade. Permitirá, sem dúvida, conhecer os componentes electrónicos, os circuitos e as teorias necessárias, bem como os princípios básicos da electrónica - electricidade, tensão, corrente, resistência, magnetismo, outros circuitos eléctricos e teoria.

Não faz mal se não tiveres conhecimentos de electrónica e não compreenderes bem como funcionam todas as experiências. Assim que começares, poderás desenvolver a tua compreensão através da experimentação e, talvez, da realização de algumas experiências interessantes por ti próprio.

Este kit de circuitos electrónicos contém mais de 50 experiências e foi concebido de forma inteligente para que a unidade da placa de circuito principal tenha todos os componentes electrónicos relevantes incluídos. Tudo o que tem de fazer é ligar os fios de acordo com a sequência de ligação de cada experiência e seguir os passos um a um. Uma vez ligado, o circuito ativa-se e funciona.

Lembre-se que esta não é uma experiência única. Quanto mais se dedicar à construção das experiências, mais conhecimentos irá adquirir. Nunca te aborrecerás, mas estarás totalmente empenhado em descobrir novas e excitantes experiências durante alguns anos.

EXPERIMENTOS

1. Circuito LED simples
2. luz LED giratória
3. função do interruptor reed
4. demonstração da resistência e da corrente
5. resistências em ligação em série
6. resistências em ligação paralela
7. função da placa tátil
8. uma demonstração simples de uma função do transístor PNP
9. uma demonstração simples de uma função do transístor NPN
10. dois LEDs em ligação paralela
11. Três LEDs em ligação paralela
12. LED e LED giratório com um único interruptor
13. LED e LED giratório com interruptores separados
14. circuito básico de funcionamento do LED
15. luz LED giratória em circuito avançado funcionamento dos LEDs

Combinação de 16. LEDs

17. função de um díodo
18. uma demonstração simples do sensor de luz
19. um exemplo prático: LED acionado por luz
20. um exemplo prático: LED acionado pela escuridão
21. demonstração de uma função simples do SCR
22. um exemplo prático de SCR
23. LED de segmento digital com indicação de "1" -
24. segmento digital LED com indicação "2" -
25. segmento digital LED com indicação "8" -
26. LED de segmento digital com indicação "F".
27. segmento digital LED comutação entre "1" e "8"
28. segmento digital LED comutação entre "I", "L", "F" e "E" -
29. Controlo das luzes Ecrã LED de sete segmentos - C (Tipo escuro)
30. Controlo das luzes - ecrã LED de sete segmentos - E (tipo de luz)
31. LEDs intermitentes
32. som de ladrar de cão com LED intermitente
33. som de ladrar de cão e dígito "1" a piscar
34. som de galo a cantar e dígito "2" a piscar -.
35. Gato a miar e o dígito "3" a piscar
36. Som de relincho de cavalo e dígito "4" a piscar
37. som de pássaro a chilrear e dígito "5" a piscar
38. som de pato a grasnar e dígito "6" a piscar
- 39.o Som de baaing de ovelha e dígito "7" a piscar
40. som de chamada do cuco e dígito "8" a piscar
41. som de rã a coaxar e dígito "9" a piscar
42. controlo manual do relincho do cavalo com o interruptor de pressão a piscar o dígito "0"
43. ovelha de controlo magnético com som de "baaing" e LED intermitente
44. Controlo tátil do som do canto do galo com LED intermitente
45. Controlo de luz som de miado de gato com LED intermitente
46. Som de ladrar de cão ativado por escuridão
47. alarme de segurança baseado na desconexão da cablagem
48. alarme LED do nível de água
49. indicador da intensidade da luz
50. Luz LED giratória activada pela escuridão
51. luz LED giratória de controlo da luz

7. Glossário

Amplificador - Um circuito eletrónico que amplifica o sinal que lhe é enviado. O componente de amplificação pode ser um transistor, um tubo de vácuo ou um dispositivo magnético adequado.

Bateria - Uma fonte de energia. Contém substâncias químicas que sofrerão uma reação química para produzir eletricidade quando um circuito é ligado.

Capacitância - Medida da capacidade de um condensador para armazenar carga eléctrica.

Condensador - Um dispositivo constituído por dois condutores separados por um isolador. Destina-se a armazenar carga eléctrica ou a servir de filtro num circuito.

IC (Integrated Circuit) - Um pequeno dispositivo eletrónico feito de material semicondutor e utilizado numa variedade de dispositivos, incluindo microprocessadores, equipamento eletrónico e automóveis.

Sensor de luz - Existem diferentes tipos de sensores de luz. O utilizado aqui é um fototransistor. Quando a luz incide sobre ele, é como se fosse um interruptor ligado e, por isso, é permitida a passagem de corrente através dele.

Díodo - Dispositivo utilizado em circuitos eléctricos para permitir que uma corrente eléctrica flua num único sentido e bloqueá-la no sentido inverso.

Microfone - Um dispositivo que converte o som num sinal elétrico.

Motor - Um dispositivo que converte energia eléctrica em movimento mecânico.

LED (Light Emitting Diode) - Um díodo emite luz quando é atravessado por corrente eléctrica.

Resistência - Medida do grau em que um objeto se opõe a uma corrente eléctrica que o atravessa.

Resistência - Dispositivo concebido para possuir resistência.

Altifalante - Um dispositivo que transforma sinais eléctricos em som.

Interruptor - Um dispositivo para abrir e fechar a fonte de alimentação de um circuito.

Transístor - Um dispositivo semiconductor que amplifica um sinal e abre ou fecha um circuito.

Tabela-verdade - É uma tabela matemática utilizada para calcular logicamente os valores de uma explicação lógica e como procedimento de decisão.

Resistência variável - Um tipo de resistência e um dispositivo de resistência ajustável no circuito eletrónico / elétrico.

Fio - Um condutor que conduz eletricidade. Ligar um fio é como criar um caminho que permite o fluxo de eletricidade.

Reed-switch: Trata-se de um interruptor magnético que contém palhetas metálicas no seu interior. Quando um ímã se aproxima dele, a força de atração faz com que as palhetas se juntem. Assim, entram em contacto e o caminho é ligado

Placa tátil: Trata-se de uma placa com duas partes de superfícies condutoras. As duas superfícies não estão ligadas, mas têm um pequeno espaço entre elas. A eletricidade não pode passar através delas devido ao pequeno espaço. Quando tocada por um dedo ou pingada com uma gota de água, o pequeno espaço é preenchido e a eletricidade pode passar através dela (embora a resistência seja bastante grande, porque a resistência da água é bastante grande)

Buzzer: Um dispositivo que pode produzir um som simples

SCR: Um retificador controlado por silício, ou SCR, é como um polícia de trânsito para a eletricidade em dispositivos electrónicos. Permite o fluxo de eletricidade numa só direção, agindo como um portão que abre e fecha. É um tipo especial de interruptor que ajuda a controlar a energia e a garantir que tudo funciona corretamente.

8. Informações sobre a bateria

Utiliza 2 pilhas AA de 1,5 V (não incluídas).

Para um melhor desempenho, utilize sempre pilhas novas e retire-as quando não estiverem a ser utilizadas.

As pilhas devem ser inseridas com a polaridade correcta.

As pilhas não recarregáveis não devem ser recarregadas.

As pilhas recarregáveis só devem ser carregadas sob a supervisão de um adulto.

As pilhas recarregáveis devem ser retiradas do brinquedo antes de serem carregadas.

Não devem ser misturados diferentes tipos de pilhas ou pilhas novas e usadas.

As pilhas gastas devem ser retiradas do brinquedo.

Os terminais de alimentação não devem ser colocados em curto-circuito.

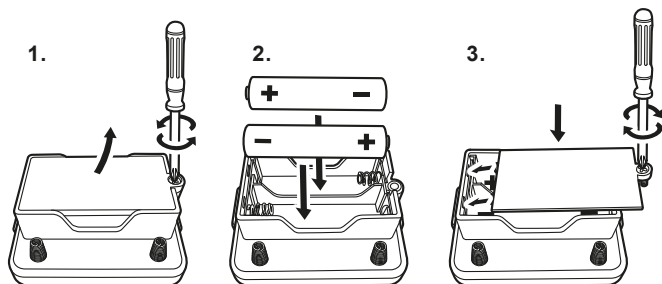
Só devem ser utilizadas pilhas do mesmo tipo ou de tipos equivalentes.

Não deitar as pilhas no fogo.

Não misturar pilhas velhas com pilhas novas.

Não misturar pilhas alcalinas, de zinco-carbono e recarregáveis.

Para inserir as pilhas, desaparafusar a tampa do compartimento das pilhas com uma chave de fendas. Insira as pilhas necessárias de acordo com a polaridade das pilhas, com as extremidades + e - na posição correcta e, em seguida, aperte o parafuso na tampa das pilhas para fechar a caixa do compartimento das pilhas.



9. Sequência de cablagem e ligação

Assegurar que todos os fios estão corretamente ligados aos terminais de mola numerados da unidade da placa de circuito principal, conforme indicado na sequência de ligação de cada experiência. Dobrar o terminal de mola e inserir a parte condutora brilhante exposta do fio no terminal de mola. Certifique-se de que o fio está bem ligado ao terminal de mola.

Por exemplo, se a sequência de ligação for 4-33, 1-10-32-35, 2-12, então ligue um fio entre o terminal de mola 4 e 33; e depois ligue um fio entre o terminal de mola 1 e 10, e um fio entre o terminal de mola 10 e 32, e um fio entre o terminal de mola 32 e 35; e finalmente ligue um fio entre o terminal de mola 2 e 12. Este é um exemplo apenas para referência e não uma ligação exacta do circuito na experiência.

Se o circuito não funcionar, pode verificar se o fio e a ligação do terminal de mola não estão bem ligados ou se a parte de plástico isolada de um fio está inserida no terminal de mola.

10. Característica do componente

Neste kit de experiências, aprenderá a teoria básica dos circuitos, as características do condensador, do CI (circuito integrado), do LED (díodo emissor de luz), do sensor de luz, da resistência e do transistor. Podes aprender que quando o transistor e o condensador trabalham em conjunto, podem ser produzidos vários efeitos de luz e som em diferentes ligações do circuito.

O condensador é um dispositivo constituído por dois condutores separados por um isolador. Foi concebido para armazenar carga eléctrica ou como filtro num circuito. É um componente muito utilizado em circuitos electrónicos e eléctricos como dispositivo de armazenamento de energia ou como dispositivo de filtragem de sinais electrónicos ruidosos ou de frequências inúteis. Existem vários tipos de condensadores concebidos para diferentes aplicações em circuitos electrónicos/eléctricos.



Condensador eletrolítico



Símbolo do circuito

O CI (Circuito Integrado) é um pequeno dispositivo eletrónico feito de semicondutores e é utilizado numa variedade de dispositivos, incluindo microprocessadores, equipamento eletrónico e automóveis. O CI é fabricado por um grande número de transístores numa "pastilha" (silício). Atualmente, é um componente crítico e comumente utilizado numa grande variedade de aplicações, desde brinquedos, produtos domésticos a equipamento de ponta.



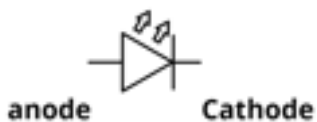
Circuito integrado

O LED (Light Emitting Diode) é um díodo que emite luz quando é atravessado por uma corrente eléctrica. O LED tem várias cores de luz que dependem do tipo de materiais semicondutores utilizados. É um dispositivo comumente utilizado em aparelhos de iluminação domésticos e de veículos.



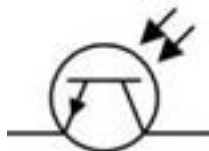
circuito

LED (Díodo Emissor de Luz)



Símbolo do

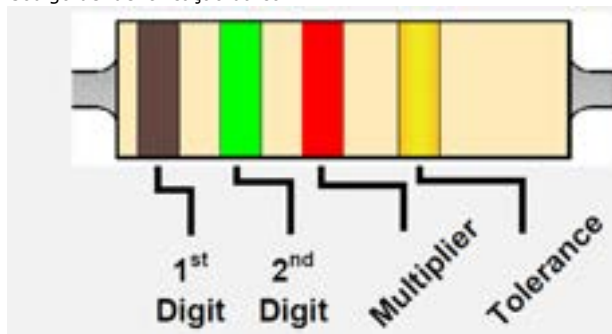
O sensor de luz é um dispositivo que reage à luz. Existem diferentes tipos de sensores de luz. O utilizado aqui é um fototransistor. Quando não há luz, a corrente eléctrica não pode passar através dele. Por isso, é como um interruptor que está desligado. Quando há luz a incidir sobre ele, a corrente eléctrica pode passar através dele. É então como um interruptor que está ligado. Desta forma, é possível criar um circuito de controlo da luz.



Símbolo do circuito

A **resistência** utiliza anéis de cores diferentes para representar o valor (resistência). O 1º e o 2º anéis representam o dígito. O 3º anel representa o multiplicador conforme a tabela apresentada. O 4º anel representa a tolerância, ou seja, a precisão da resistência. Exemplo: Os anéis de cor são castanho, vermelho, castanho e dourado, o que representa uma resistência de 120 ohm, tolerância de 5% (Ω).

Código de identificação da cor



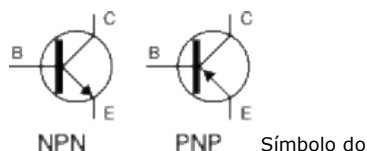
Cor	1º	2.o	3º - multiplicador	Tolerância
Preto	0	0	x 1	
Castanho	1	1	x 10	
Vermelho	2	2	x 100	
Laranja	3	3	x 1000	
Amarelo	4	4	x 10000	
Verde	5	5	x 100000	
Azul	6	6	x 1000000	
Púrpura	7	7		
Cinzeno	8	8		
Branco	9	9		
Castanho				+/- 1%
Vermelho				+/- 2%
Ouro			x 0.1	+/- 5%
Prata			x 0.01	+/- 10%

O **transistor** é um dispositivo semiconductor que é utilizado para amplificar um sinal e para o abrir ou fechar num circuito. Existem dois tipos de transistores, nomeadamente **NPN** e **PNP**, com um símbolo de circuito semelhante. O transistor é um dispositivo fundamental, normalmente utilizado nos equipamentos electrónicos modernos. Tem a resposta mais rápida e a ação mais precisa como amplificador e dispositivo de comutação, podendo atuar como dispositivo/componente individual ou como parte de um circuito integrado (CI). O CI é constituído por mais de mil a milhões de transistores.



circuito

Transistor



NPN

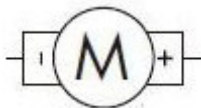
PNP

Símbolo do

Se já leu as informações acima e gostaria de compreender melhor os conhecimentos sobre circuitos eléctricos, bem como a utilidade dos componentes, então vamos realizar as seguintes experiências.

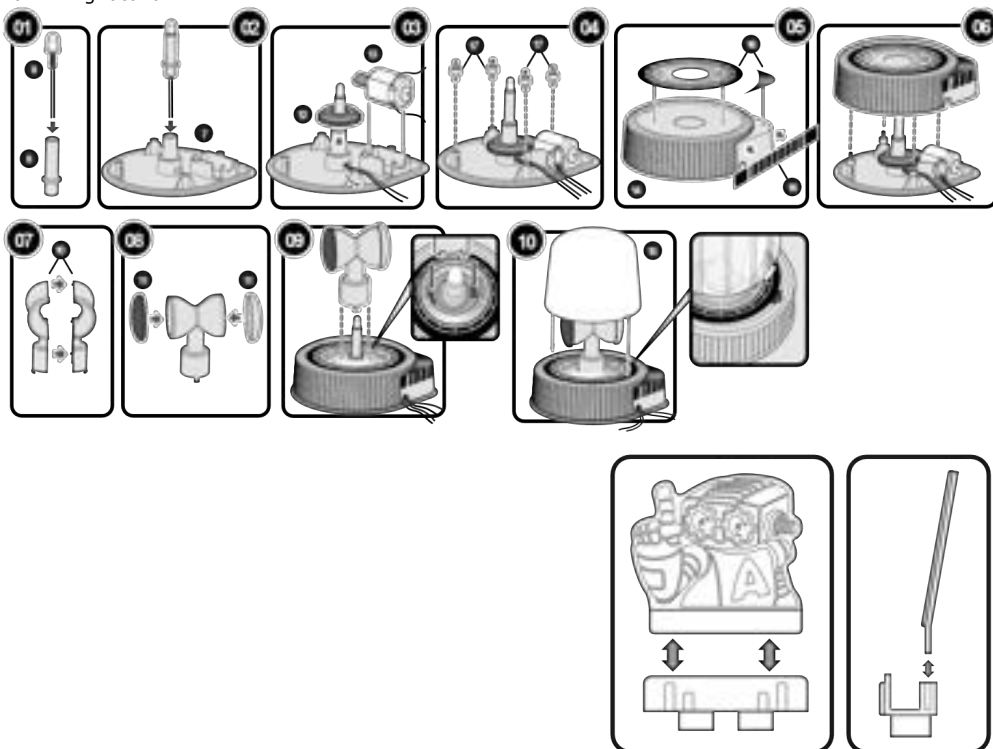
O motor é um dispositivo que produz movimento rotativo quando a eletricidade é fornecida. Por analogia, a bateria é como uma bomba que bombeia água através das pilhas (fios). Quando um circuito está ligado, a eletricidade pode fluir através dele. A eletricidade que flui é designada por corrente. Uma corrente é o fluxo de cargas eléctricas. A quantidade de uma corrente é a quantidade de carga eléctrica que flui no fio num segundo.

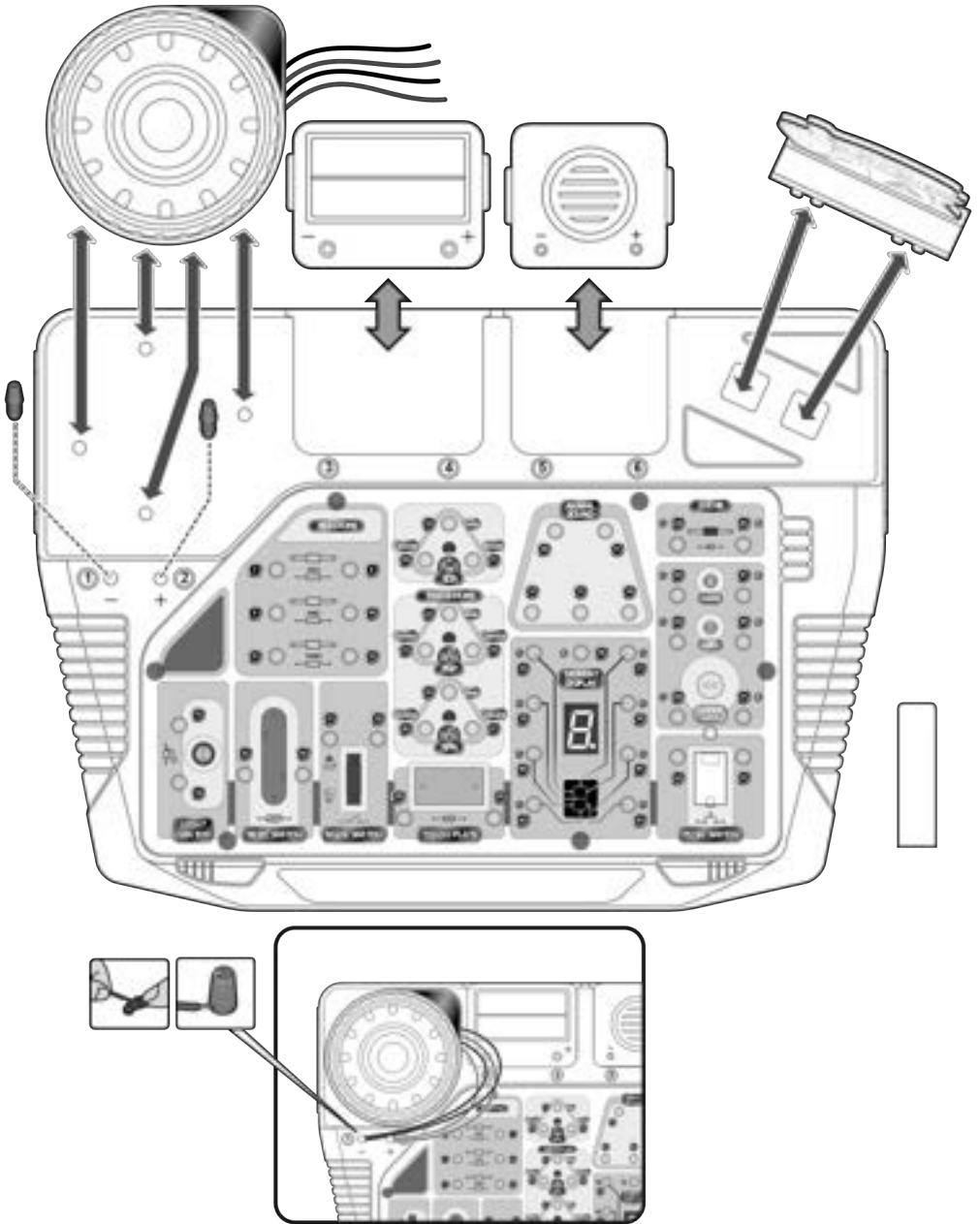
Outro termo comum que ouvimos frequentemente sobre eletricidade é a tensão. A tensão refere-se à energia eléctrica por unidade de carga. É a energia eléctrica que cada unidade de carga eléctrica transporta.



11. Montagem

Luz LED giratória:



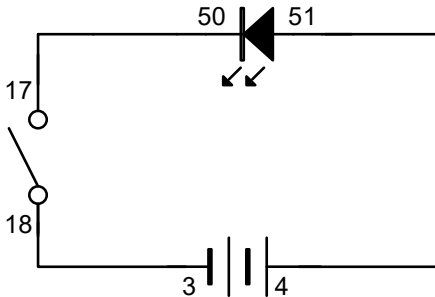


12. Experiências

12.1 Circuito LED simples

Sequência de cablagem

4-51, 50-17, 18-3



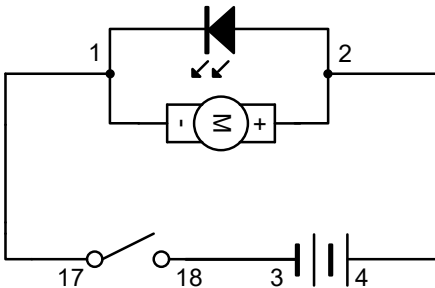
Completar todas as ligações eléctricas como indicado na sequência. Ao ligar, o LED acende-se. Ao desligar, o LED apaga-se.

Pode mudar para utilizar outro LED. Basta olhar para o diagrama do circuito e ligar a outro LED da mesma forma. Só não misture os pólos positivo (+) e negativo (-). Caso contrário, o LED não se acenderá.

12.2 Luz LED giratória

Sequência de cablagem

4-2, 1-17, 18-3

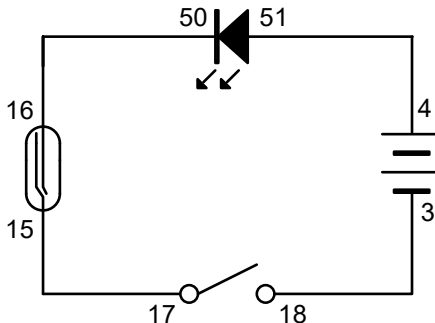


Complete todas as ligações eléctricas conforme indicado na sequência. Ligar o interruptor principal. O LED giratório acende-se e gira!

12.3 Função do interruptor reed

Sequência de cablagem

4-51, 50-16, 15-17, 18-3

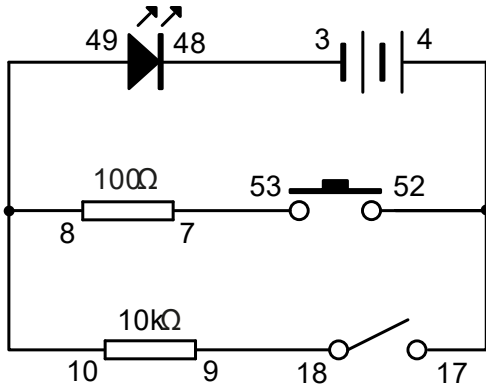


Complete todas as ligações eléctricas conforme indicado na sequência. Ligar o interruptor principal. Aceder ao interruptor reed com o pólo magnético. O LED acender-se-á quando o circuito estiver ligado. Se afastar o pólo magnético, o circuito é desligado e o LED apaga-se.

12.4 Demonstração da resistência e da corrente

Sequência de cablagem

48-3, 4-52-17, 18-9, 10-49-8, 7-53

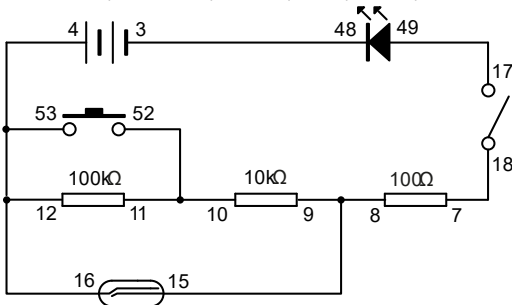


Complete todas as ligações eléctricas conforme indicado na sequência. Ligar o interruptor principal. O LED acende-se de forma ténue. Desligue o interruptor principal para o desligar. Prima agora o interruptor de pressão. O LED acende-se com mais intensidade. Isto deve-se ao facto de o percurso do interruptor principal ter uma resistência maior. Assim, a corrente através deste caminho será menor e, consequentemente, o LED ficará menos brilhante. Por outro lado, o percurso do interruptor de pressão tem uma resistência mais pequena. Assim, a corrente através deste caminho será maior, e o LED será mais brilhante.

12.5 Resistências em ligação em série

Sequência de cablagem

4-12-16-53, 52-11-10, 9-15-8, 7-18, 17-49, 48-3

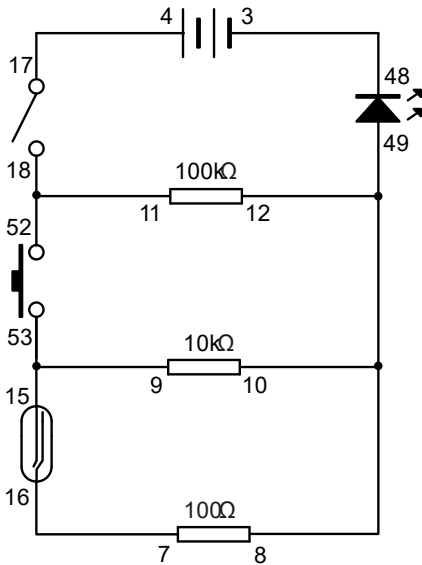


Complete todas as ligações eléctricas conforme indicado na sequência. Ligar o interruptor principal. A corrente eléctrica proveniente das baterias terá de passar por 3 resistências, pelo que o LED acenderá muito fracamente ou, aparentemente, não acenderá de todo. Prima o interruptor de pressão. Desta vez, a corrente terá de passar apenas por 2 resistências, pelo que o LED acenderá com mais intensidade do que anteriormente. Aceder ao interruptor reed com o pólo magnético. Desta vez, a corrente terá de passar apenas por 1 resistência, pelo que o LED acender-se-á ainda mais intensamente. Por analogia, uma resistência é como um obstáculo. Quanto menos obstáculos existirem no circuito, mais corrente pode passar.

12.6 Resistências em ligação paralela

Sequência de cablagem

4-17, 18-11-52, 53-9-15, 16-7, 8-10-12-49, 48-3

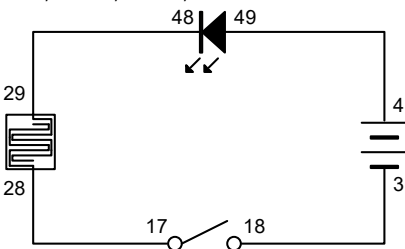


Complete todas as ligações eléctricas conforme indicado na sequência. Ligue o interruptor principal. A corrente eléctrica das baterias passará através da resistência de $100\text{k}\Omega$ para acender o LED. O LED acender-se-á muito fracamente ou, aparentemente, não se acenderá de todo. Prima o interruptor de pressão. Agora mais um caminho está disponível. Embora exista uma resistência de $10\text{k}\Omega$ neste caminho, este continua a ser um caminho extra para a corrente fluir. Portanto, mais corrente fluirá através do LED e fará com que ele se ilumine mais intensamente! Não solte o interruptor de pressão. Aceda ao interruptor reed com o pólo magnético. Agora também está disponível mais um caminho extra! Agora há um total de 3 caminhos para a corrente fluir e, assim, o LED acende-se com mais intensidade! Embora desta vez também existam 3 resistências no circuito, o LED acende-se de forma brilhante. As resistências estão ligadas em paralelo, o que provoca um resultado diferente.

12.7 Função da placa tátil

Sequência de cablagem

4-49, 48-29, 28-17, 18-3

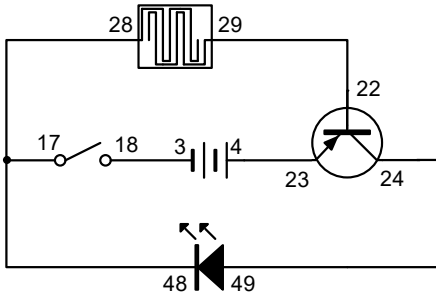


Complete todas as ligações eléctricas conforme indicado na sequência. Ligar o interruptor principal. Humedeça o seu dedo com água e toque na placa tátil. O LED acende-se muito fracamente. Isto indica que a água tem uma grande resistência e, por isso, apenas uma pequena quantidade de corrente eléctrica consegue passar. Se colocar uma gota de água salgada na placa tátil, o LED acende-se com mais intensidade! Isto deve-se ao facto de a água salgada ser um melhor condutor do que a água normal, pelo que pode passar mais corrente.

12.8 Uma demonstração simples de uma função do transistor PNP

Sequência de cablagem

4-23, 24-49, 22-29, 28-48-17, 18-3

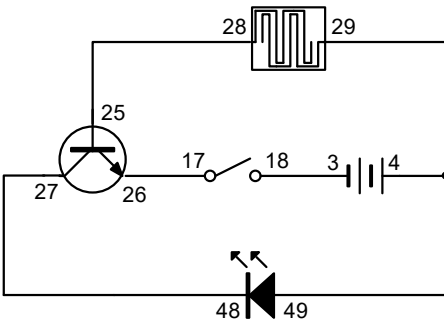


Complete todas as ligações eléctricas conforme indicado na sequência. Ligar o interruptor principal. Humedecer o dedo com água e tocar na placa tátil. Através de uma quantidade muito pequena de corrente eléctrica que flui através da placa de toque (como mostrado na última experiência), o LED acende-se brilhantemente! Isto acontece porque, neste circuito, o transistor PNP é a verdadeira porta de entrada para o LED e a placa tátil funciona apenas como um interruptor para abrir a porta de entrada! Quando a parte superior do circuito não está ligada, não há corrente a passar pelo "Emissor" para a "Base" do transistor. Assim, a porta de entrada do "Emissor" para o "Coletor" está fechada. Quando se toca na placa tátil, o circuito superior é ligado; uma quantidade muito pequena de corrente passa através do "Emissor" para a "Base", e então a porta do "Emissor" para o "Coletor" é aberta! A corrente eléctrica da bateria pode então fluir através do transistor para o LED e, por conseguinte, o LED acende-se brilhantemente!

12.9 Uma demonstração simples da função do transistor NPN

Sequência de cablagem

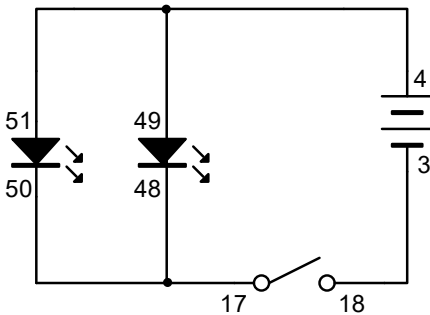
28-25, 26-17, 18-3, 4-29-49, 48-27



Complete todas as ligações eléctricas conforme indicado na sequência. Ligar o interruptor principal. Tocar na placa tátil. Através de uma quantidade muito pequena de corrente eléctrica que flui através da placa sensível ao toque (como mostrado na última experiência), o LED acende-se brilhantemente! Isto é praticamente o mesmo que no caso do transistor PNP. São apenas as polaridades do transistor que estão invertidas.

12.10 Dois LEDs em ligação paralela

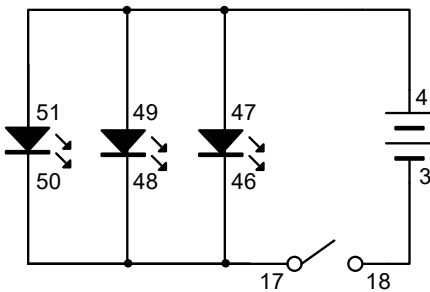
Sequência de cablagem
4-49-51, 50-48-17, 18-3



Completar todas as ligações eléctricas como indicado na sequência. Ao ligar, os dois LEDs acendem-se. Ao desligar, os dois LEDs apagam-se.

12.11 Três LEDs em ligação paralela

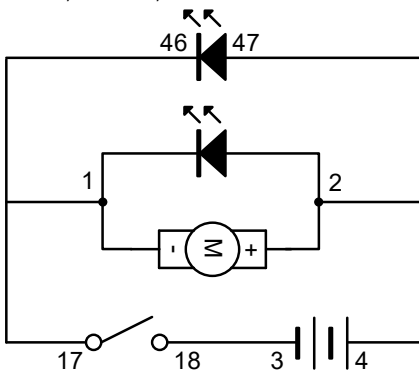
Sequência de cablagem
4-47-49-51, 50-48-46-17, 18-3



Completar todas as ligações eléctricas como indicado na sequência. Ao ligar, três LEDs acendem-se. Ao desligar, os três LEDs apagam-se.

12.12 LED e LED giratório com um único interruptor

Sequência de cablagem
4-2-47, 46-1-17, 18-3

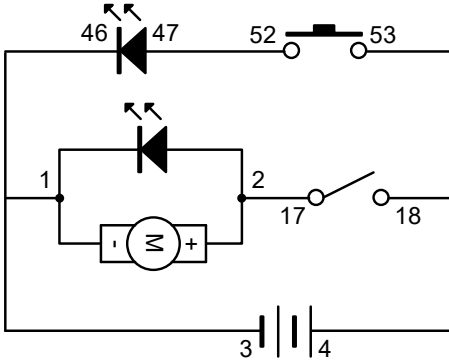


Complete todas as ligações eléctricas conforme indicado na sequência. Ligar o interruptor principal. O LED acende-se e a luz LED giratória fica acesa. Quando se desliga o interruptor principal, ambos os aparelhos ficam desligados ao mesmo tempo.

12.13 LED e LED giratório com interruptores separados

Sequência de cablagem

4-18-53, 17-2, 52-47, 46-1-3

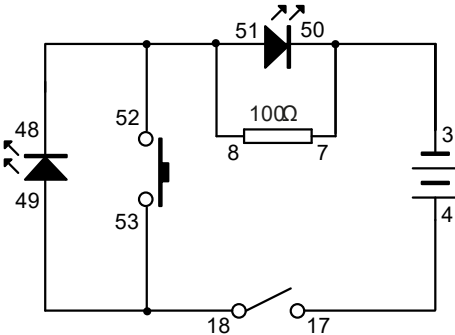


Complete todas as ligações eléctricas conforme indicado na sequência. Se ligar o interruptor principal, a luz LED giratória acende-se. Se premir o interruptor de pressão, o LED acende-se. São controlados por interruptores separados para que os possa ligar e desligar individualmente.

12.14 Funcionamento do circuito básico do LED

Sequência de cablagem

4-17, 18-49-53, 52-48-51-8, 7-50-3

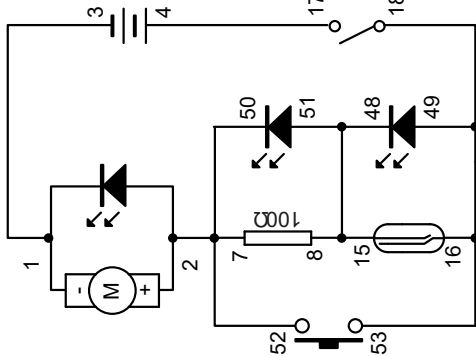


Complete todas as ligações eléctricas conforme indicado na sequência. Ligue o interruptor principal. Verá que o LED pequeno se acende, mas o LED grande não. Quando premir o interruptor de pressão, verá que o LED grande se acende, mas o LED pequeno se apaga.

12.15 Luz LED giratória em circuito avançado de funcionamento de LEDs

Sequência de cablagem

4-17, 18-49-53-16, 15-48-51-8, 7-50-52-2, 1-3

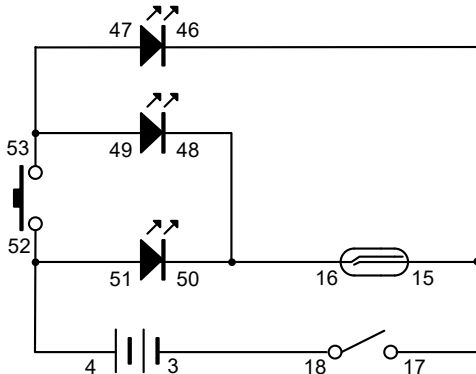


Complete todas as ligações eléctricas conforme indicado na sequência. Ligue o interruptor principal. Verá que o LED azul se acende, mas os outros LEDs não se acendem. Quando acede ao interruptor reed com a vara magnética, o LED azul apaga-se e agora só o LED amarelo se acende. Prima o interruptor de pressão. Desta vez, apenas o LED giratório se acende!

12.16 Combinação de LEDs

Sequência de cablagem

4-52-51, 50-16-48, 49-53-47, 46-15-17, 18-3

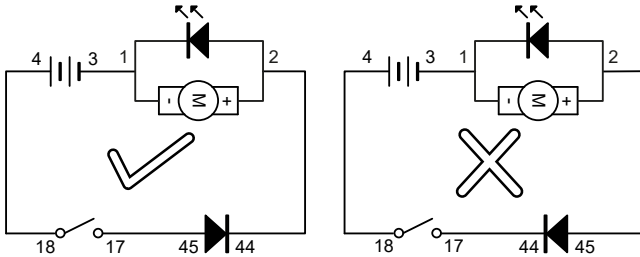


Complete todas as ligações eléctricas conforme indicado na sequência. Ligar o interruptor principal. Premir o interruptor de pressão ou aceder ao interruptor reed com o pólo magnético, ou fazer as duas coisas ao mesmo tempo, conduzirá a desempenhos diferentes do LED!

12.17 Função de um díodo

Sequência de cablagem

4-18, 17-45, 44-2, 1-3

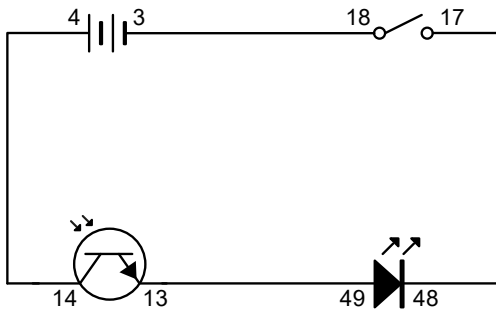


Complete todas as ligações eléctricas conforme indicado na sequência. Ligue o interruptor principal. O motor gira. Se inverter a polaridade da ligação do díodo, alterando um pouco a ligação dos fios, 17 ligado a 44 e 2 ligado a 45, desta vez verificará que o circuito não funciona. Isto acontece porque o díodo não permite que a corrente passe através dele no sentido inverso. Por conseguinte, desta vez o circuito não funciona.

12.18 Uma demonstração simples do sensor de luz

Sequência de cablagem

4-14, 13-49, 48-17, 18-3

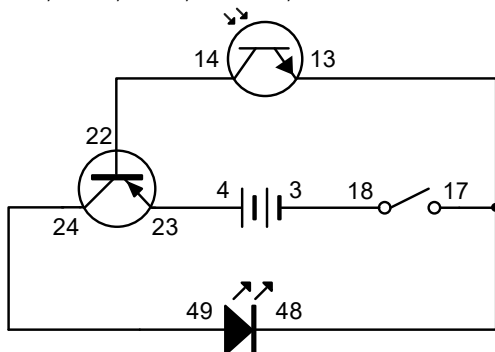


Complete todas as ligações eléctricas conforme indicado na sequência. Ligar o interruptor principal. Poderá notar que o LED se acende muito fracamente. Isto indica que apenas uma quantidade muito pequena de corrente está a passar por ele. Depende da intensidade da luz que incide sobre o sensor de luz. Se fizer esta experiência num local mais escuro, o LED pode não se acender de todo. Se usares uma lanterna para iluminar o sensor de luz, podes ver que o LED se ilumina intensamente. Isto acontece porque, quando há mais luz, mais corrente poderá passar pelo sensor de luz e acender o LED.

12.19 Um exemplo prático: LED acionado por luz

Sequência de cablagem

4-23, 22-14, 24-49, 48-13-17, 18-3

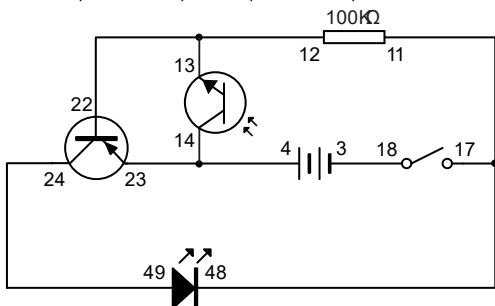


Complete todas as ligações eléctricas conforme indicado na sequência. Ligar o interruptor principal. Desta vez, mesmo com uma pequena quantidade de luz, o LED acender-se-á intensamente! Isto acontece porque, neste circuito, o transistor PNP é a verdadeira porta de entrada para o LED e o sensor de luz funciona apenas como um interruptor para abrir a porta de entrada! Quando a parte superior do circuito não está ligada, não há corrente a passar pelo "Emissor" para a "Base" do transistor. Assim, a porta de entrada do "Emissor" para o "Coletor" está fechada. Quando a luz incide sobre o sensor de luz, o circuito superior é ligado; uma quantidade muito pequena de corrente passa através do "Emissor" para a "Base", e então a porta do "Emissor" para o "Coletor" é aberta! A corrente eléctrica da bateria pode então fluir através do transistor para o LED e, por conseguinte, o LED acende-se brilhantemente! Este circuito faz com que o sensor de luz se torne um interruptor sensível para detetar a luz.

12.20 Um exemplo prático: LED acionado pela escuridão

Sequência de cablagem

4-14-23, 22-13-12, 24-49, 48-11-17, 18-3

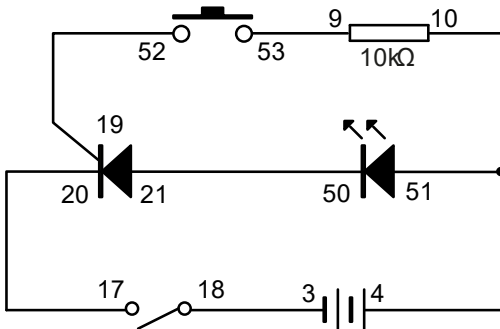


Complete todas as ligações eléctricas conforme indicado na sequência. Ligar o interruptor principal. Se estiver numa divisão com muita luz, o LED não se acenderá. Quando tapa o sensor de luz, o LED acende-se. Isto significa que o LED é ligado pela escuridão em vez da luz!

12.21 Demonstração de uma função simples do SCR

Sequência de cablagem

21-50, 51-4-10, 9-53, 52-19, 20-17, 18-3

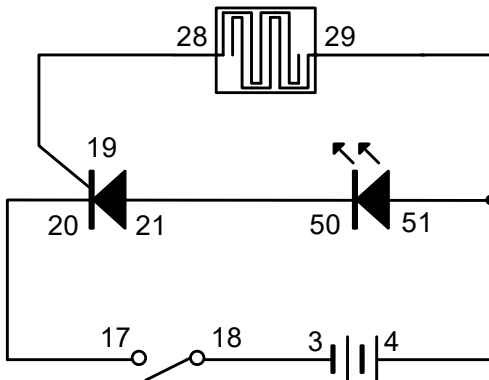


Complete todas as ligações eléctricas conforme indicado na sequência. Ligar o interruptor principal. Não acontece nada. Em seguida, prima o interruptor de pressão sem o soltar. A parte superior do circuito está ligada e, assim, a corrente pode fluir através da porta (G) e do cátodo (K) do SCR, uma vez que se trata de um circuito completo. Isto é como abrir a porta do SCR. E a corrente principal pode fluir através do ânodo (A) e do cátodo (K), o que acende o LED. Solte o interruptor de pressão. O LED continua a brilhar! Isto acontece porque o "portão" já está aberto pela corrente inicial do circuito superior e, portanto, a corrente principal continuará a fluir através do SCR. Portanto, se quiser desligar o LED, terá de desligar o interruptor principal.

12.22 Um exemplo prático de SCR

Sequência de cablagem

21-50, 51-4-29, 28-19, 20-17, 18-3

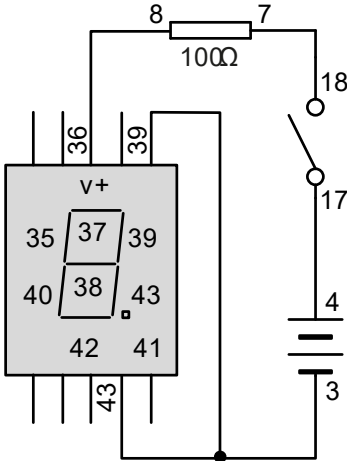


Complete todas as ligações eléctricas conforme indicado na sequência. Ligar o interruptor principal. Não acontece nada. Quando há uma gota de água na placa tátil, o LED acende-se. Mesmo que a placa tátil seque depois disso, o LED continuará a brilhar, uma vez que a porta do SCR foi aberta. Com base neste princípio, pode configurar um monitor para indicar se a maré atingiu uma determinada altura, ou se choveu durante o período em que está fora de casa para uma viagem, ou se algo se molhou..... etc.

12.23 Segmento digital LED com indicação de "1"

Sequência de cablagem

4-17, 18-7, 8-36, 3-39-43

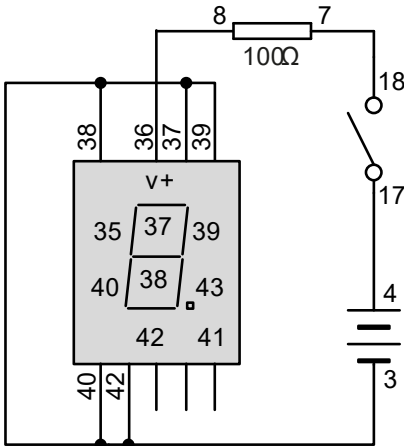


Completar todas as ligações eléctricas como indicado na sequência. Ao ligar, o LED do segmento digital apresentará "1".

12.24 Segmento digital LED com indicação de "2"

Sequência de cablagem

4-17, 18-7, 8-36, 3-37-38-39-40-42

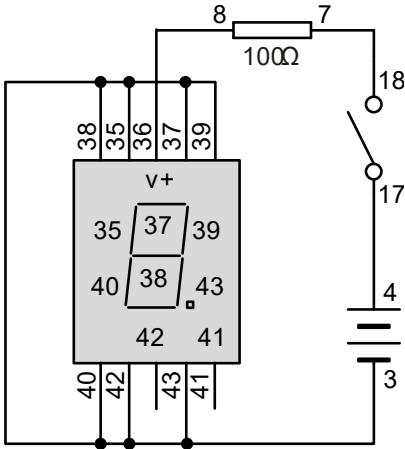


Completar todas as ligações eléctricas como indicado na sequência. Ao ligar, o LED do segmento digital apresentará "2".

12.25 Segmento digital LED com indicação de "8"

Sequência de cablagem

4-17, 18-7, 8-36, 3-35-37-38-39-40-42-43

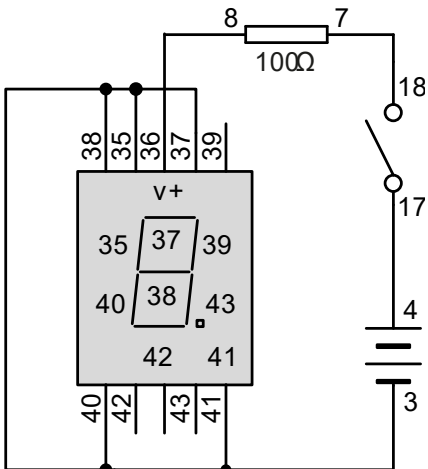


Completar todas as ligações eléctricas como indicado na sequência. Ao ligar, o LED do segmento digital apresentará "8".

12.26 LED de segmento digital com indicação "F".

Sequência de cablagem

4-17, 18-7, 8-36, 3-35-37-38-40-41

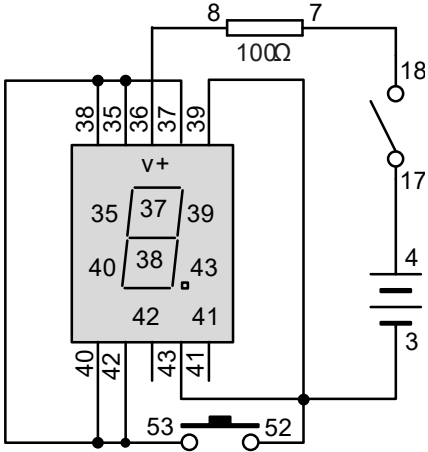


Completar todas as ligações eléctricas conforme indicado na sequência. Ao ligar, o LED do segmento digital apresentará "F".

12.27 LED de segmento digital comutação entre "1" e "8"

Sequência de cablagem

4-17, 18-7, 8-36, 3-39-43-52, 53-35-37-38-40-42

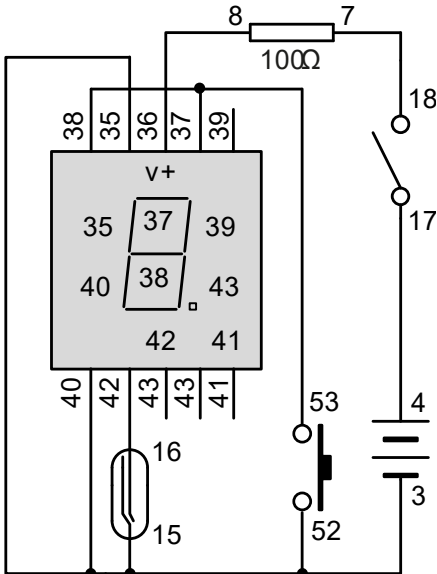


Complete todas as ligações eléctricas conforme indicado na sequência. Ligar o interruptor principal. O LED do segmento digital apresentará "1". Ao premir o interruptor de pressão, o LED do segmento digital apresenta "8".

12.28 LED de segmento digital comutação entre "I", "L", "F" e "E"

Sequência de cablagem

4-17, 18-7, 8-36, 35-40-15-3-52, 53-37-38, 42-16

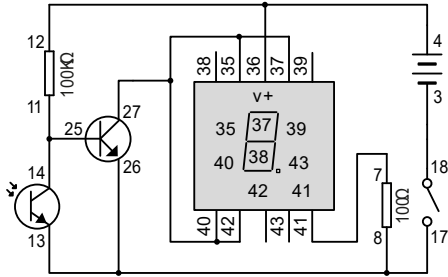


Complete todas as ligações eléctricas conforme indicado na sequência. Ligar o interruptor principal. O LED de segmento digital apresentará "I". Se aceder ao interruptor de palheta com o pólo magnético, o LED do segmento digital apresentará "L"; ou se premir o interruptor de pressão, o LED do segmento digital apresentará "F". E se ativar os dois interruptores ao mesmo tempo, aparece "E".

12.29 Ecrã LED de sete segmentos de controlo das luzes - C (Dark Type)

Sequência de cablagem

3-18, 11-25-14, 4-36-12, 13-17-26-8, 7-41, 27-35-37-40-42

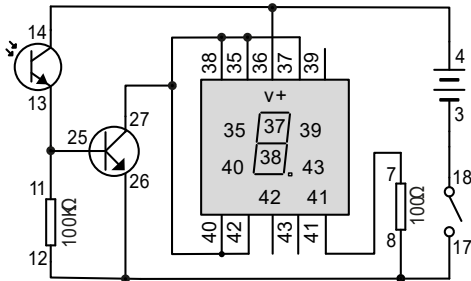


Complete todas as ligações eléctricas conforme indicado na sequência. Ligar o interruptor principal. Se houver luz suficiente na divisão, apenas o indicador de alimentação no ecrã se acende. Cubra o sensor de luz e o ecrã apresentará a letra C. Se descobrir o sensor de luz, a letra C desaparecerá...

12.30 Ecrã LED de sete segmentos de controlo das luzes - E (Tipo de luz)

Sequência de cablagem

3-18, 41-7, 17-26-12-8, 11-13-25, 4-36-14, 27-35-38-37-40-42

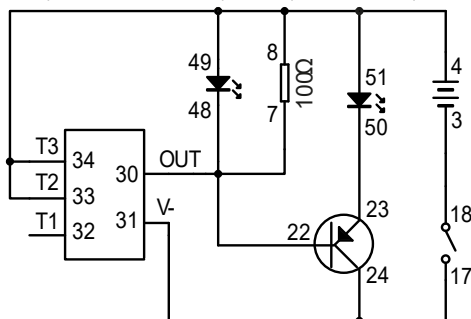


Complete todas as ligações eléctricas conforme indicado na sequência. Ligar o interruptor principal. Em seguida, o indicador de alimentação acende-se e a letra E aparece no ecrã. Quando tapa o sensor de luz, apenas o indicador de alimentação se acende no ecrã. Se descobrir o sensor de luz, a letra E acende-se novamente.

12.31 LEDs intermitentes

Sequência de cablagem

3-18, 8-4-51-49-33-34, 50-23, 7-22-30-48, 17-24-31

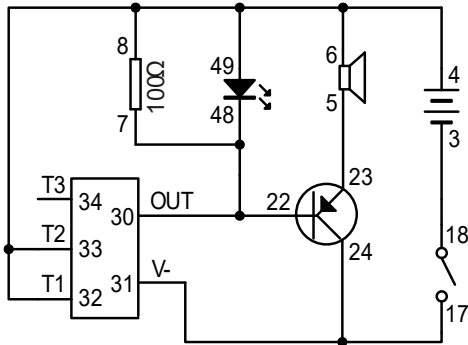


Complete todas as ligações eléctricas conforme indicado na sequência. Ligar o interruptor principal. Em seguida, os LEDs piscam.

12.32 Som de ladrar de cão com LED intermitente

Sequência de cablagem

3-18, 4-6-8-32-33-49, 5-23, 7-22-30-48, 17-24-31

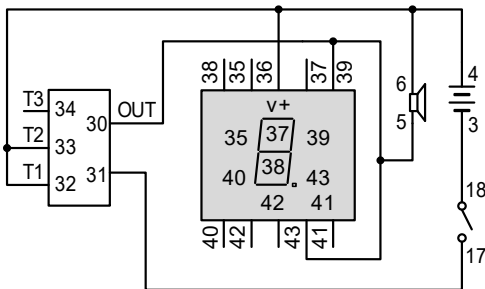


Complete todas as ligações eléctricas conforme indicado na sequência. Ligar o interruptor principal. O altifalante produzirá o som do ladrar do cão e o LED piscará ao ritmo do mesmo.

12.33 Som de ladrar de cão e dígito "1" a piscar

Sequência de cablagem

3-18, 4-6-36-32-33, 17-31, 30-39-43-5

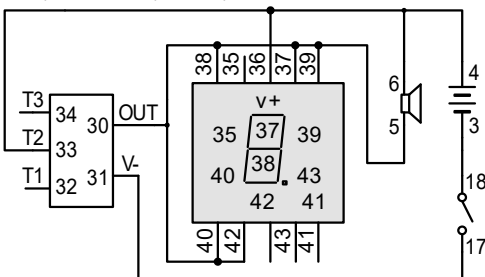


Complete todas as ligações eléctricas conforme indicado na sequência. Ao ligar, o altifalante produzirá um som de ladrar de cão. O ecrã de visualização também apresenta o dígito "1" e pisca ao ritmo do mesmo.

12.34 Som de galo a cantar e dígito "2" a piscar

Sequência de cablagem

3-18, 4-6-36-33, 17-31, 5-30-37-38-39-40-42

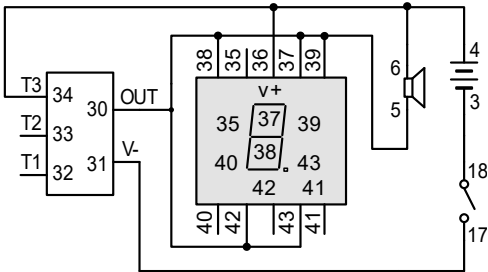


Complete todas as ligações eléctricas conforme indicado na sequência. Ao ligar, o altifalante produzirá o som do canto do galo. O ecrã apresenta também o dígito "2" e pisca ao ritmo do mesmo.

12.35 Som de gato a miar e o dígito "3" a piscar

Seqüência de cablagem

3-18, 4-6-36-34, 17-31, 30-37-39-38-42-43-5

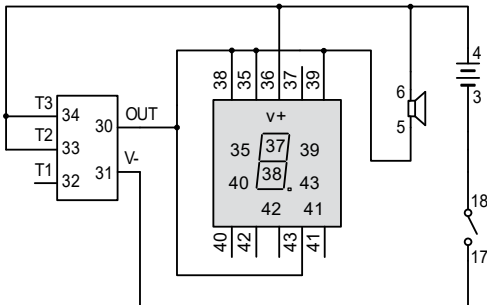


Complete todas as ligações eléctricas conforme indicado na seqüência. Ao ligar, o altifalante produzirá o som de miado de gato. O ecrã apresenta também o dígito "3" e pisca ao ritmo do mesmo.

12.36 Som de relincho de cavalo e dígito "4" a piscar

Seqüência de cablagem

3-18, 4-36-33-34-6, 17-31, 30-35-38-39-43-5

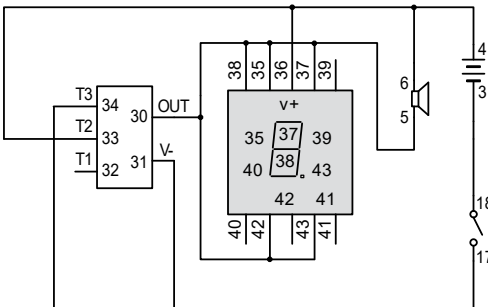


Complete todas as ligações eléctricas conforme indicado na seqüência. Ao ligar, o altifalante produzirá um som de relincho de cavalo. O ecrã apresenta também o algarismo "4" e pisca ao ritmo do mesmo.

12.37 Som de pássaro a chilrear e dígito "5" a piscar

Seqüência de cablagem

3-18, 4-6-36-33, 17-31-34, 5-30-35-37-38-42-43

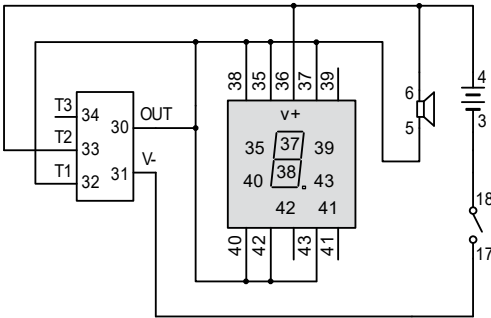


Complete todas as ligações eléctricas conforme indicado na seqüência. Ao ligar, o altifalante produzirá o som do chilrear dos pássaros. O ecrã apresenta também o dígito "5" e pisca ao ritmo do mesmo.

12.38 Som de pato a grasnar e dígito "6" a piscar

Seqüência de cablagem

3-18, 4-6-36-33, 17-31, 5-30-32-35-37-38-40-42-43

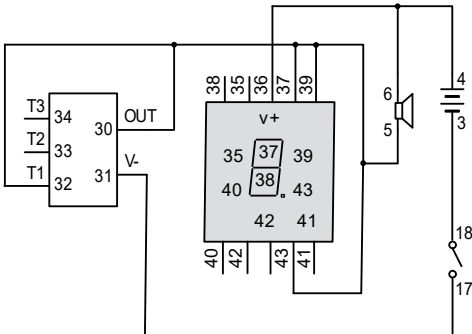


Complete todas as ligações eléctricas conforme indicado na sequência. Ao ligar, o altifalante produzirá um som de grasnido de pato. O ecrã apresenta também o dígito "6" e pisca ao ritmo do mesmo.

12.39 Som de mugido de ovelha e dígito "7" a piscar

Sequência de cablagem

3-18, 4-6-36, 17-31, 5-30-32-37-39-43

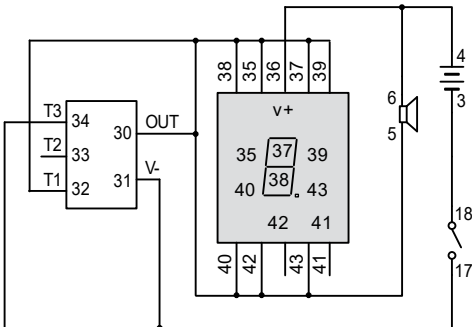


Complete todas as ligações eléctricas conforme indicado na sequência. Ao ligar, o altifalante produzirá um som de "baaing" de ovelha. O ecrã apresenta também o dígito "7" e pisca ao ritmo do mesmo.

12.40 Som de chamada de cuco e dígito "8" a piscar

Sequência de cablagem

3-18, 4-6-36, 17-31-34, 5-30-32-35-37-38-39-40-42-43

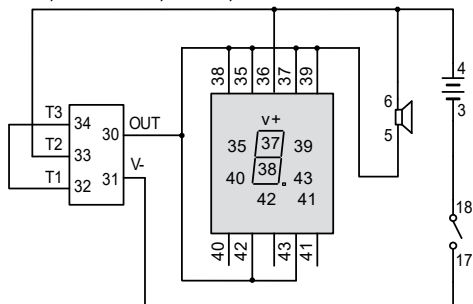


Complete todas as ligações eléctricas conforme indicado na sequência. Ao ligar o aparelho, o altifalante produzirá um som de chamada de cuco. O ecrã apresenta também o algarismo "8" e pisca ao ritmo do mesmo.

12.41 Som de rã a coaxar e dígito "9" a piscar

Sequência de cablagem

3-18, 4-6-36-33, 32-34, 5-30-35-37-38-39-42-43, 17-31

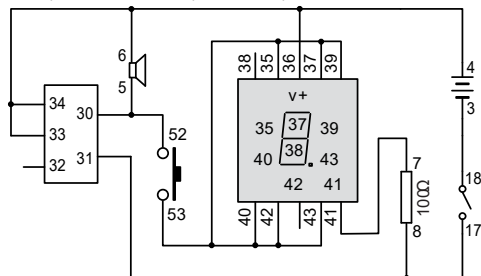


Complete todas as ligações eléctricas conforme indicado na sequência. Ao ligar, o altifalante produzirá um som de coaxar de rã. O ecrã também apresenta o dígito "9" e pisca ao ritmo do mesmo.

12.42 Controlo manual do relincho do cavalo com o interruptor de pressão a piscar o dígito "0"

Sequência de cablagem

3-18, 4-6-36-34-33, 5-30-52, 53-40-42-43-35-37-39, 41-7, 8-31-17

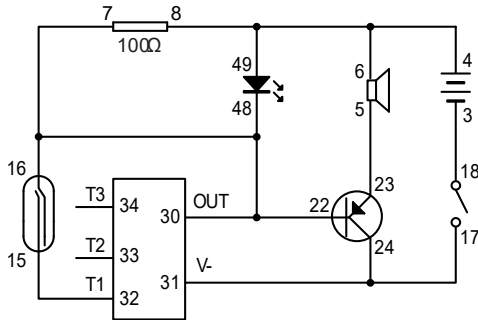


Complete todas as ligações eléctricas conforme indicado na sequência. Ao ligar, o altifalante produzirá um relincho de cavalo e o ponto no canto inferior direito do ecrã acende-se. Depois, ao premir o interruptor de pressão sem o soltar, o dígito 0 acende-se e pisca ao ritmo do relincho do cavalo.

12.43 Controlo por íman do som de piar da ovelha com LED intermitente

Seqüência de cablagem

3-18, 17-24-31, 32-15, 16-7-30-22-48, 49-8-6-4, 5-23

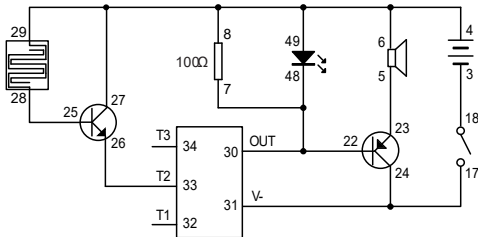


Complete todas as ligações eléctricas conforme indicado na seqüência. Ligar o interruptor principal. Aceder ao interruptor reed com o pólo magnético. O altifalante produzirá um som de "baaing" de ovelha e o LED piscará ao ritmo do som de "baaing" de ovelha.

12.44 Som de canto de galo com controlo tátil e LED intermitente

Seqüência de cablagem

3-18, 17-24-31, 30-7-22-48, 33-26, 28-25, 23-5, 29-27-8-49-6-4

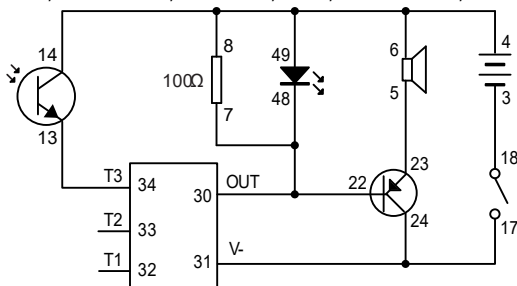


Complete todas as ligações eléctricas conforme indicado na seqüência. Ligar o interruptor principal. Toque com o dedo na placa tátil. O altifalante produzirá um som de canto de galo e o LED piscará ao ritmo do mesmo. Note que, se não houver resposta, pode ter de amortecer o dedo e tentar novamente.

12.45 Controlo de luz som de miado de gato com LED intermitente

Seqüência de cablagem

5-23, 22-48-7-30, 31-24-17, 18-3, 4-6-8-49-14, 13-34

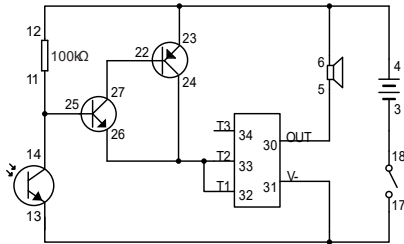


Complete todas as ligações eléctricas conforme indicado na seqüência. Ligar o interruptor principal. Quando houver luz no sensor de luz, o altifalante produzirá um som de miado de gato e o LED piscará ao ritmo do mesmo.

12.46 Som de ladrar de cão ativado pela escuridão

Seqüência de cablagem

3-18, 4-6-23-12, 5-30, 17-31-13, 24-26-33-32, 22-27, 11-14-25

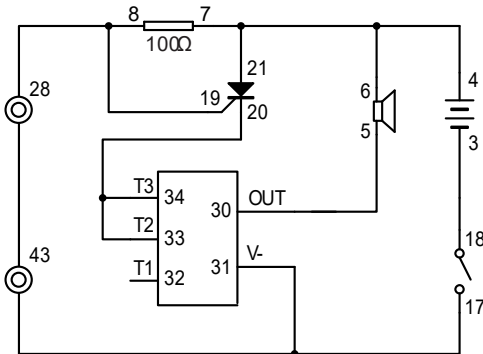


Complete todas as ligações eléctricas conforme indicado na seqüência. Ligue o interruptor principal e tape completamente o sensor de luz. Depois, pode ouvir o som do ladrar do cão a sair do altifalante. Assim que descobrir o sensor de luz, o som do ladrar do cão pára.

12.47 Alarme de segurança baseado na desconexão da cablagem

Seqüência de cablagem

3-18, 17-43-31, 30-5, 4-6-21-7, 8-28-19, 20-33-34, 28-43

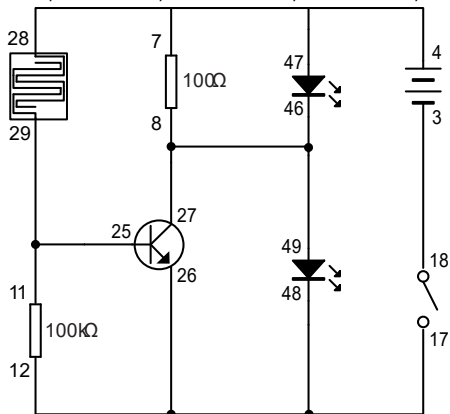


Complete todas as ligações eléctricas conforme indicado na seqüência. Ligar o interruptor principal. Não acontece nada. Depois, quando se desliga o fio que liga a mola 28 à 43, o altifalante produzirá um som de relincho de cavalo! Este circuito pode ser utilizado como um sistema de alarme. Por exemplo, quando alguém dispara o fio de alarme, o relincho do cavalo avisa-o de um intruso!

12.48 Alarme LED do nível de água

Sequência de cablagem

3-18, 4-7-28-47, 17-48-12-26, 8-27-49-46, 11-29-25



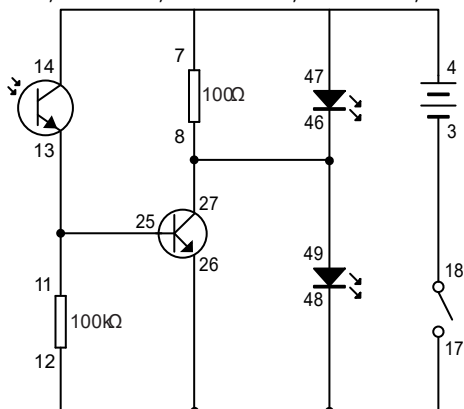
Complete todas as ligações eléctricas conforme indicado na sequência. Ligar o interruptor principal. Deitar uma gota de água na placa tátil. Em seguida, o LED multicolor acende-se e o LED azul apaga-se. Limpar a água da placa tátil. Em seguida, o LED azul acende-se e o LED multicolor apaga-se.

Este princípio pode ser utilizado para o aviso do nível de água. Instale um circuito semelhante no local onde é necessário supervisionar o nível da água. Quando o nível de água ultrapassar o nível de aviso, o LED multi-colorido acende-se e o LED azul apaga-se. Quando o nível da água está abaixo do nível de aviso, o LED multi-colorido apaga-se e o LED azul acende-se.

12.49 Indicador de intensidade da luz

Sequência de cablagem

3-18, 4-7-14-47, 17-12-26-48, 8-27-46-49, 11-13-25

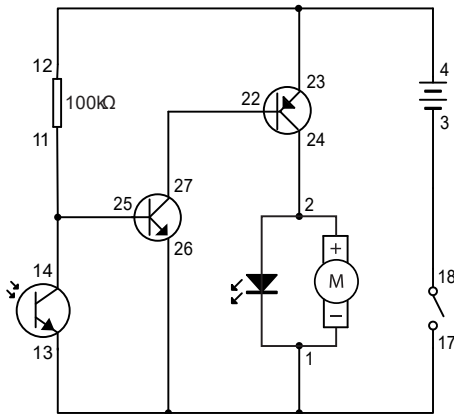


Complete todas as ligações eléctricas conforme indicado na sequência. Ligue o interruptor principal. Quando há luz a incidir sobre o sensor de luz, o LED multicolor acende-se, mas o LED azul não. Cubra completamente o sensor de luz. Como não há luz a incidir sobre ele, o LED multicolor apaga-se e o LED azul acende-se. Quando não houver nada a cobrir o sensor de luz, o LED multicolor acende-se e o LED azul volta a apagar-se. Isto pode ser utilizado como um indicador da intensidade da luz.

12.50 Luz LED giratória activada pela escuridão

Seqüência de cablagem

3-18, 4-23-12, 26-17-1-13, 24-2, 22-27, 11-14-25

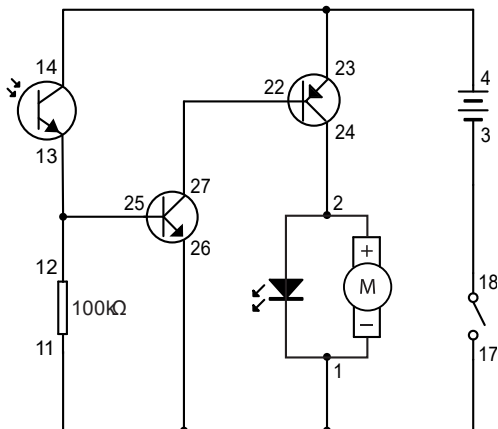


Complete todas as ligações eléctricas conforme indicado na seqüência. Ligue o interruptor principal. Cubra o sensor de luz e o LED giratório acender-se-á. Descubra o sensor de luz e, em seguida, o LED giratório desliga-se.

12.51 Luz LED giratória de controlo da luz

Seqüência de cablagem

3-18, 4-23-14, 26-17-1-11, 24-2, 22-27 12-13-25



Complete todas as ligações eléctricas conforme indicado na seqüência. Ligue o interruptor principal e, em seguida, o LED giratório acender-se-á. Quando o sensor de luz está coberto, o LED giratório desliga-se. A luz é o interruptor do LED giratório neste circuito.

© AVISO DE DIREITOS DE AUTOR

Os direitos de autor deste manual são propriedade da Velleman nv. Todos os direitos mundiais reservados. Nenhuma parte deste manual pode ser copiada, reproduzida, traduzida ou reduzida para qualquer meio eletrónico ou outro sem o consentimento prévio por escrito do detentor dos direitos de autor.

MANUALE D'USO

1. Introduzione

A tutti i residenti dell'Unione Europea

Importanti informazioni ambientali su questo prodotto



Questo simbolo sul dispositivo o sulla confezione indica che lo smaltimento del dispositivo dopo il suo ciclo di vita potrebbe danneggiare l'ambiente. Non smaltire l'apparecchio (o le batterie) come rifiuto urbano non differenziato; deve essere consegnato a un'azienda specializzata per il riciclaggio. Il dispositivo deve essere restituito al distributore o a un servizio di riciclaggio locale. Rispettare le norme ambientali locali.

In caso di dubbio, contattare le autorità locali preposte allo smaltimento dei rifiuti.

Grazie per aver scelto Velleman! Leggere attentamente il manuale prima di mettere in funzione il dispositivo. Se il dispositivo è stato danneggiato durante il trasporto, non installarlo o utilizzarlo e contattare il proprio rivenditore.

2. Istruzioni di sicurezza



Prima di utilizzare l'apparecchio, leggere e comprendere il presente manuale e tutti i segnali di sicurezza.



Pericolo di soffocamento a causa delle piccole parti. Non adatto a bambini di età inferiore a 3 anni.

8+

Età consigliata: +.

- Questo prodotto è destinato all'uso per scopi educativi nelle scuole e per altri contenuti pedagogici sotto la sorveglianza di un istruttore adulto, come ad esempio le attrezzature scientifiche.
- Proteggere da pioggia, umidità, spruzzi e gocciolamenti di liquidi, urti e maltrattamenti, calore estremo e polvere.

3. Avvertenze

È richiesta la supervisione e l'assistenza di un adulto.

Questo apparecchio può essere utilizzato solo da bambini di età pari o superiore a 8 anni.

Non adatto a bambini di età inferiore a 3 anni a causa di parti e componenti di piccole dimensioni - PERICOLO DI SOFFOCAMENTO DA INGESTIONE.

Leggere e seguire tutte le istruzioni del manuale prima dell'uso.

Questo giocattolo contiene piccole parti e punte taglienti funzionali sui componenti. Tenere lontano dai bambini di età inferiore ai 3 anni.

Sono necessarie 2 batterie AA (non incluse).

Conservare le informazioni e il presente manuale per riferimenti futuri.

Le istruzioni per i genitori sono incluse e devono essere rispettate.

Non utilizzare vicino all'orecchio! Un uso improprio può causare danni all'udito.

4. Attenzione

Prima di impostare qualsiasi esperimento, verificare che tutti i collegamenti elettrici effettuati siano corretti prima di inserire le batterie e accendere l'unità, in quanto un errore potrebbe danneggiare i componenti o il circuito dell'unità.

Al termine dell'esperimento, assicurarsi che le batterie siano scollegate e spegnere l'unità prima di rimuovere i cavi.

Non applicare all'esperimento componenti o parti diverse da quelle fornite con questo kit.

Il giocattolo non deve essere collegato a un numero di alimentatori superiore a quello consigliato.

I capelli possono impigliarsi se la testa del bambino è troppo vicina all'unità motorizzata di questo giocattolo.

Questo giocattolo contiene punti taglienti funzionali sui cavi e sui fili dei componenti, che richiedono attenzione durante la manipolazione.

5. Linee guida generali

- Consultare la Garanzia di assistenza e qualità Velleman® nelle ultime pagine di questo manuale.
- Per motivi di sicurezza è vietata qualsiasi modifica del dispositivo. I danni causati da modifiche apportate dall'utente al dispositivo non sono coperti da garanzia.
- Utilizzare il dispositivo solo per lo scopo previsto. L'utilizzo del dispositivo in modo non autorizzato comporta l'annullamento della garanzia.
- I danni causati dall'inosservanza di alcune indicazioni contenute nel presente manuale non sono coperti dalla garanzia e il rivenditore non si assume alcuna responsabilità per i difetti o i problemi che ne derivano.
- Né Velleman group nv né i suoi rivenditori possono essere ritenuti responsabili per qualsiasi danno (straordinario, incidentale o indiretto) - di qualsiasi natura (finanziaria, fisica...) derivante dal possesso, dall'uso o dal guasto di questo prodotto.
- Conservare questo manuale per riferimenti futuri.

6. Descrizione del prodotto

Siamo lieti di darvi il benvenuto a provare questo kit di circuiti elettronici pronto all'uso, adatto a bambini dagli 8 anni in su. "Rimarrete stupiti da ciò che potrete imparare, poiché l'esperimento rappresenta un concetto realistico di elettronica ed elettricità. Vi permetterà sicuramente di conoscere i componenti elettronici, i circuiti e le teorie necessarie, nonché i principi di base dell'elettronica: elettricità, tensione, corrente, resistenza, magnetismo, altri circuiti elettrici e teoria.

Non c'è problema se non si hanno conoscenze di elettronica e non si capisce bene come funzionano tutti gli esperimenti. Una volta iniziato, sarete in grado di costruire la vostra comprensione sperimentando e magari provando alcuni esperimenti interessanti per conto vostro.

Questo kit di circuiti elettronici contiene più di 50 esperimenti ed è stato progettato in modo intelligente, in quanto l'unità del circuito principale contiene tutti i componenti elettronici rilevanti. Tutto ciò che si deve fare è collegare i fili secondo la sequenza di cablaggio di ciascun esperimento e seguire i passaggi uno per uno. Una volta collegato, il circuito si attiverà e funzionerà.

Ricordate che non si tratta di un esperimento unico. Più tempo dedicherete alla costruzione di esperimenti, più conoscenze acquisirete. Non vi annoierete mai, ma sarete totalmente impegnati a scoprire nuovi ed entusiasmanti esperimenti per alcuni anni a venire.

ESPERIMENTI

1. Circuito LED semplice
2. Luce LED rotante
3. Funzione dell'interruttore reed
4. Dimostrazione di resistenza e corrente
5. Resistori in serie
6. Resistori in parallelo
7. Funzione della piastra di contatto
8. Una semplice dimostrazione di una funzione del transistor PNP
9. Una semplice dimostrazione di una funzione del transistor NPN
10. Due LED in collegamento parallelo
11. Tre LED in collegamento parallelo
12. LED e LED rotante con un unico interruttore
13. LED e LED di rotazione con interruttori separati
14. Circuito di base del LED

15. Luce LED rotante nel circuito di anticipo del funzionamento dei LED
16. LED combinazione
17. Funzione di un diodo
18. Una semplice dimostrazione del sensore di luce
19. Un esempio pratico: LED ad attivazione luminosa
20. Un esempio pratico: LED attivati dal buio
21. Dimostrazione di una semplice funzione di SCR
22. Un esempio pratico di SCR
23. LED a segmenti digitali con indicazione "1" -
24. LED a segmenti digitali con indicazione "2" -
25. LED a segmenti digitali con indicazione "8" -
26. LED del segmento digitale che visualizza "F"
27. LED a segmento digitale con commutazione tra "1" e "8"
28. LED a segmenti digitali per la commutazione tra "I", "L", "F" ed "E" -
29. Controllo luce display LED a sette segmenti - C (tipo scuro)
30. Comando luci con display a LED a sette segmenti - E (tipo luce)
31. LED lampeggianti
32. Cane che abbaia con LED lampeggiante
33. Cane che abbaia e cifra "1" lampeggiante
34. Suono del gallo e cifra "2" lampeggiante.
35. Gatto che miagola e cifra "3" lampeggiante
36. Suono di nitrito del cavallo e cifra "4" lampeggiante
37. Cinguettio di uccelli e cifra "5" lampeggiante
38. Suono dell'anatra che gracchia e cifra "6" lampeggiante
39. Suono di baaing della pecora e cifra "7" lampeggiante
40. Suono di chiamata del cuculo e cifra "8" lampeggiante
41. Rana che gracchia e cifra "9" lampeggiante
42. Controllo manuale del suono del nitrito del cavallo con comando a pulsante con cifra "0" lampeggiante
43. Magnete controllo pecora baaing suono con LED lampeggiante
44. Controllo touch del suono del gallo con LED lampeggiante
45. Controllo luce gatto che miagola con LED lampeggiante
46. Buio attivato dal suono dell'abbaia del cane
47. Allarme di sicurezza basato sulla disconnessione del cablaggio
48. Allarme LED livello acqua
49. Indicatore di intensità luminosa
50. Luce LED rotante attivata dal buio
51. Controllo luce LED rotante

7. Glossario

Amplificatore - Un circuito elettronico che amplifica il segnale che gli viene inviato. Il componente amplificatore può essere un transistor, un tubo a vuoto o un dispositivo magnetico appropriato.

Batteria - Una fonte di energia. Contiene sostanze chimiche che subiscono una reazione chimica per produrre elettricità quando viene collegato un circuito.

Capacità - Misura della capacità di un condensatore di immagazzinare carica elettrica.

Condensatore - Dispositivo costituito da due conduttori separati da un isolante. È progettato per immagazzinare carica elettrica o come filtro in un circuito.

IC (Integrated Circuit) - Piccolo dispositivo elettronico realizzato con materiale semiconduttore e utilizzato per una serie di dispositivi, tra cui microprocessori, apparecchiature elettroniche e automobili.

Sensore di luce - Esistono diversi tipi di sensori di luce. Quello utilizzato in questo caso è un fototransistor. Quando la luce cade su di esso, è come un interruttore collegato e quindi la corrente può passare attraverso di esso.

Diodo - Dispositivo utilizzato nei circuiti elettrici per consentire il passaggio di una corrente elettrica in una sola direzione e bloccarla in quella inversa.

Microfono - Dispositivo che converte il suono in un segnale elettrico.

Motore - Dispositivo che converte l'energia elettrica in movimento meccanico.

LED (Light Emitting Diode) - Un diodo emette luce quando viene attraversato da corrente.

Resistenza - Misura del grado di opposizione di un oggetto all'attraversamento di una corrente elettrica.

Resistore - Dispositivo progettato per possedere una resistenza.

Altoparlante - Dispositivo che trasforma i segnali elettrici in suoni.

Interruttore - Dispositivo per l'apertura e la chiusura della sorgente di alimentazione di un circuito.

Transistor - Dispositivo a semiconduttore che amplifica un segnale e apre o chiude un circuito.

Tabella di verità - È una tabella matematica utilizzata per calcolare logicamente i valori delle spiegazioni logiche e come procedura decisionale.

Resistore variabile - Un tipo di resistore e un dispositivo di resistenza regolabile nel circuito elettronico/elettrico.

Filo - Un conduttore che conduce l'elettricità. Collegare un filo equivale a creare un percorso che consenta il passaggio dell'elettricità.

Interruttore a lamelle: Si tratta di un interruttore magnetico che contiene al suo interno delle lamelle metalliche. Quando un magnete si avvicina ad esso, la forza attrattiva fa sì che i reed si uniscano. In questo modo entrano in contatto e il percorso è collegato.

Piastra di contatto: È una piastra con due parti di superfici conduttrici. Le due superfici non sono collegate, ma hanno un piccolo spazio tra di loro. L'elettricità non può passare attraverso questo piccolo spazio. Quando si tocca con un dito o si fa gocciolare una goccia d'acqua, la piccola fessura viene riempita e l'elettricità può passare attraverso di essa (anche se la resistenza è molto grande perché la resistenza dell'acqua è molto grande).

Buzzer: Dispositivo in grado di produrre un suono semplice

SCR: un raddrizzatore controllato al silicio, o SCR, è come un vigile urbano per l'elettricità nei dispositivi elettronici. Consente il flusso di elettricità in una direzione, agendo come un cancello che si apre e si chiude. È un tipo speciale di interruttore che aiuta a controllare l'alimentazione e ad assicurare che tutto funzioni senza intoppi.

8. Informazioni sulla batteria

Utilizza 2 batterie AA da 1,5 V (non incluse).

Per ottenere prestazioni ottimali, utilizzare sempre batterie fresche e rimuoverle quando non vengono utilizzate.

Le batterie devono essere inserite con la corretta polarità.

Le batterie non ricaricabili non devono essere ricaricate.

Le batterie ricaricabili devono essere caricate solo sotto la supervisione di un adulto.

Le batterie ricaricabili devono essere rimosse dal giocattolo prima di essere caricate.

Non è consentito mescolare tipi diversi di batterie o batterie nuove e usate.

Le batterie scariche devono essere rimosse dal giocattolo.

I terminali di alimentazione non devono essere messi in cortocircuito.

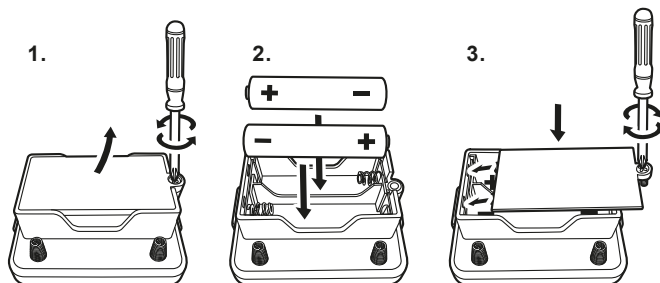
Si devono utilizzare solo batterie dello stesso tipo o equivalenti.

Non gettare le batterie nel fuoco.

Non mischiare batterie vecchie e nuove.

Non mischiare batterie alcaline, zinco carbone e ricaricabili.

Per inserire le batterie, svitare il coperchio con un cacciavite. Inserire le batterie necessarie rispettando la polarità, con i poli + e - nella giusta posizione, quindi avvitare il coperchio del vano batterie per chiuderlo.



9. Sequenza di cablaggio e collegamento

Assicurarsi che tutti i fili siano collegati correttamente ai terminali a molla numerati dell'unità del circuito principale, come indicato nella sequenza di cablaggio di ciascun esperimento. Piegarlo il terminale a molla e inserire la parte lucida esposta del conduttore nel terminale a molla. Assicurarsi che il filo sia saldamente collegato al terminale a molla.

Ad esempio, se la sequenza di cablaggio è 4-33, 1-10-32-35, 2-12, collegare un filo tra il terminale a molla 4 e 33; quindi collegare un filo tra il terminale a molla 1 e 10, e un filo tra il terminale a molla 10 e 32, e un filo tra il terminale a molla 32 e 35; infine, collegare un filo tra il terminale a molla 2 e 12. Si tratta di un esempio di riferimento, non di un collegamento esatto del circuito nell'esperimento.

Se il circuito non funziona, è possibile controllare il collegamento del filo e del terminale a molla, se non è ben collegato o se la parte in plastica isolata di un filo è inserita nel terminale a molla.

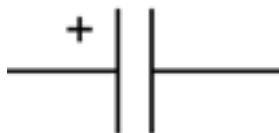
10. Caratteristica del componente

In questo kit di esperimenti, imparerete la teoria di base dei circuiti, le caratteristiche del condensatore, del circuito integrato (IC), del LED (Light Emitting Diode), del sensore di luce, del resistore e del transistor. Si può imparare che quando il transistor e il condensatore lavorano insieme, si possono ottenere vari effetti luminosi e sonori in diverse connessioni del circuito.

Il condensatore è un dispositivo costituito da due conduttori separati da un isolante. È progettato per immagazzinare carica elettrica o come filtro in un circuito. È un componente comunemente utilizzato nei circuiti elettronici ed elettrici come dispositivo di accumulo di energia o come dispositivo di filtraggio per eliminare segnali elettronici rumorosi o a frequenza inutile. Esistono vari tipi di condensatori progettati per diverse applicazioni nei circuiti elettronici ed elettrici.



Condensatore elettrolitico



Simbolo del circuito

Il circuito integrato (IC) è un piccolo dispositivo elettronico costituito da semiconduttori e utilizzato per una varietà di dispositivi, tra cui microprocessori, apparecchiature elettroniche e automobili. Il circuito integrato è costituito da un gran numero di transistor in un "chip" (silicio). Oggi è un componente fondamentale e comunemente utilizzato in un'ampia gamma di applicazioni, dai giocattoli ai prodotti per la casa, fino alle apparecchiature di ultima generazione.



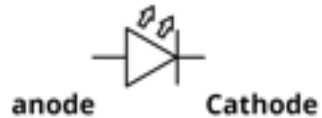
Circuito integrato

Il LED (Light Emitting Diode) è un diodo che emette luce quando viene attraversato da corrente elettrica. Il LED ha diversi colori di luce che dipendono dal tipo di materiali semiconduttori utilizzati. È un dispositivo comunemente utilizzato negli apparecchi di illuminazione domestica e dei veicoli.

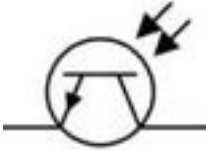


LED (diodo a emissione luminosa)

Simbolo del circuito



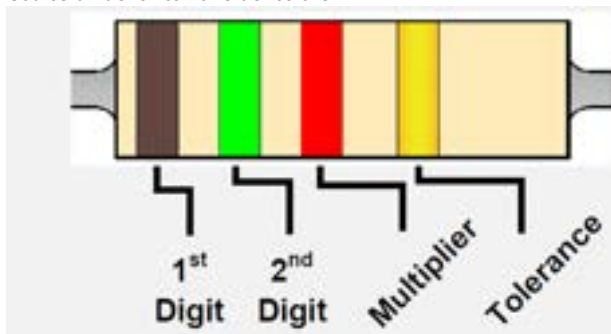
Il sensore di luce è un dispositivo che reagisce alla luce. Esistono diversi tipi di sensori di luce. Quello utilizzato in questo caso è un fototransistor. In assenza di luce, la corrente elettrica non può attraversarlo. È quindi come un interruttore spento. Quando la luce cade su di esso, la corrente elettrica può attraversarlo. In questo caso è come un interruttore che si accende. In questo modo è possibile realizzare un circuito di controllo della luce.



Simbolo del circuito

Il resistore utilizza anelli di colore diverso per rappresentare il valore (resistenza). Il 1° e il 2° anello rappresentano la cifra. Il 3° anello rappresenta il moltiplicatore, come indicato nella tabella. Il 4° anello rappresenta la tolleranza, ovvero la precisione della resistenza. Esempio: Gli anelli di colore marrone, rosso, marrone e oro rappresentano una resistenza di 120 ohm, con una tolleranza del 5% (Ω).

Codice di identificazione del colore



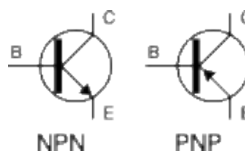
Colore	1a	2a	3 rd - moltiplicatore	Tolleranza
Nero	0	0	x 1	
Marrone	1	1	x 10	
Rosso	2	2	x 100	
Arancione	3	3	x 1000	
Giallo	4	4	x 10000	
Verde	5	5	x 100000	
Blu	6	6	x 1000000	
Viola	7	7		
Grigio	8	8		
Bianco	9	9		
Marrone				+/- 1%
Rosso				+/- 2%
Oro			x 0.1	+/- 5%
Argento			x 0.01	+/- 10%

Il transistor è un dispositivo a semiconduttore utilizzato per amplificare un segnale e per aprirlo o chiuderlo in un circuito. Esistono due tipi di transistor, **NPN** e **PNP**, con simboli circuitali simili. Il transistor è un dispositivo fondamentale comunemente utilizzato nelle moderne apparecchiature elettroniche. Ha una risposta velocissima e un'azione precisa come amplificatore e dispositivo di commutazione, e può agire come dispositivo/componente individuale o come parte di un circuito integrato (IC). I circuiti integrati sono costituiti da migliaia o milioni di transistor.



Transistor

circuito



NPN

PNP

Simbolo del

Se avete già letto le informazioni di cui sopra e volete saperne di più sulla conoscenza dei circuiti elettrici e sull'utilità dei componenti, allora eseguite i seguenti esperimenti.

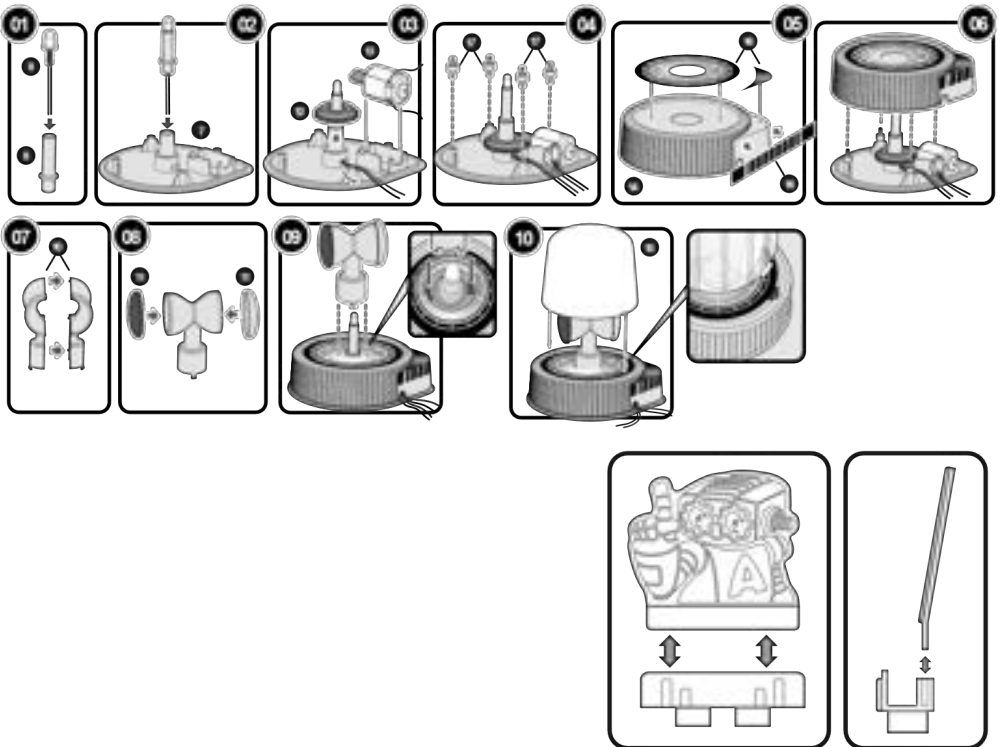
Il motore è un dispositivo che produce un movimento rotatorio quando viene fornita elettricità. Per analogia, la batteria è come una pompa che pompa l'acqua attraverso le pile (fili). Quando un circuito è collegato, l'elettricità può scorrere attraverso di esso. L'elettricità che scorre è chiamata corrente. Una corrente è il flusso di cariche elettriche. La quantità di corrente è la quantità di carica elettrica che scorre nel filo in un secondo.

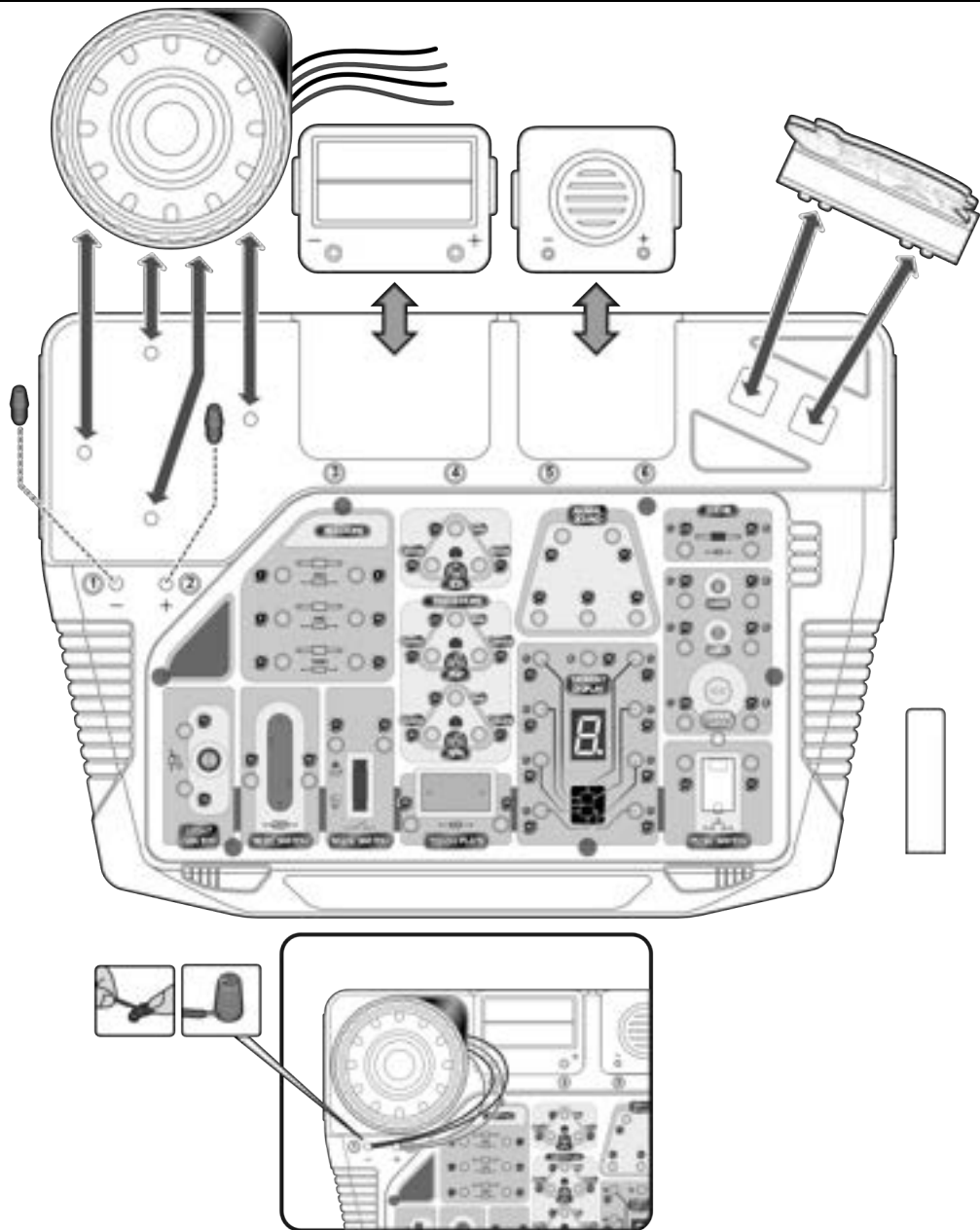
Un altro termine comunemente sentito sull'elettricità è la tensione. La tensione si riferisce all'energia elettrica per unità di carica. È l'energia elettrica trasportata da ogni unità di carica elettrica.



11. Assemblaggio

Luce LED rotante:



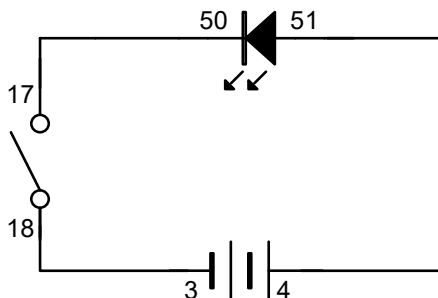


12. Esperimenti

12.1 Semplice circuito LED

Sequenza di cablaggio

4-51, 50-17, 18-3



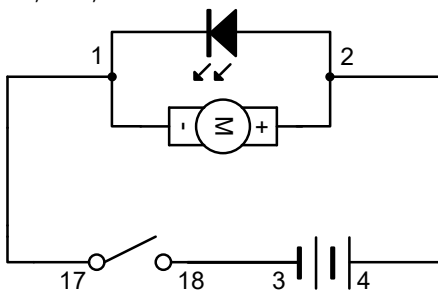
Completare tutti i collegamenti di cablaggio come indicato nella sequenza. Accendendo, il LED si accende. Spegnendo, il LED si spegne.

È possibile cambiare per utilizzare un altro LED. Basta guardare lo schema del circuito e collegare un altro LED nello stesso modo. Basta non confondere il polo positivo (+) con quello negativo (-). Altrimenti il LED non si accenderà.

12.2 Luce LED rotante

Sequenza di cablaggio

4-2, 1-17, 18-3

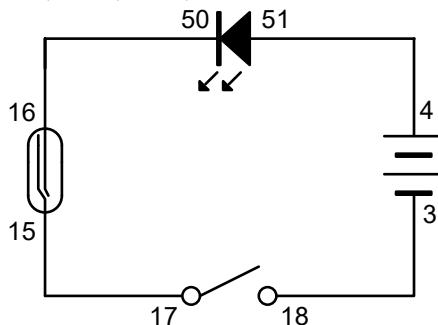


Completare tutti i collegamenti di cablaggio come indicato nella sequenza. Accendere l'interruttore principale. Il LED di rotazione si accende e gira!

12.3 Funzione dell'interruttore reed

Sequenza di cablaggio

4-51, 50-16, 15-17, 18-3

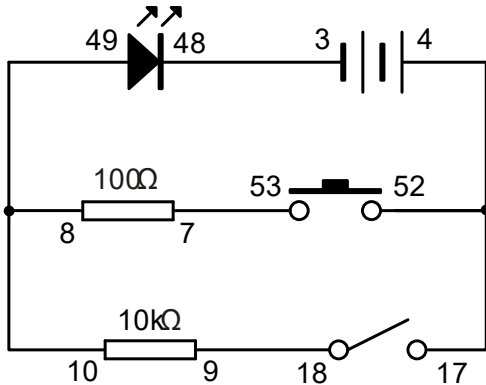


Completare tutti i collegamenti di cablaggio come indicato nella sequenza. Accendere l'interruttore principale. Accedere all'interruttore reed con il polo magnetico. Il LED si accende quando il circuito è collegato. Allontanando il polo magnetico, il circuito viene scollegato e il LED si spegne.

12.4 Dimostrazione di resistenza e corrente

Sequenza di cablaggio

48-3, 4-52-17, 18-9, 10-49-8, 7-53

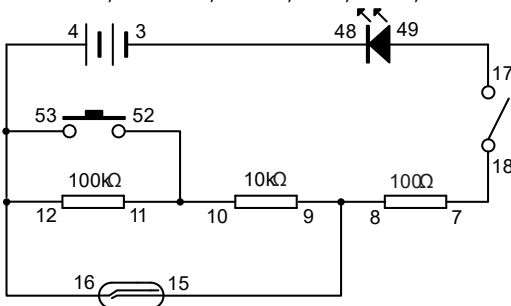


Completare tutti i collegamenti di cablaggio come indicato nella sequenza. Accendere l'interruttore principale. Il LED si accende debolmente. Spegnerlo l'interruttore principale per spegnerlo. Premere ora l'interruttore a pressione. Il LED si accende più intensamente. Questo perché il percorso dell'interruttore principale ha una resistenza maggiore. Pertanto, la corrente che attraversa questo percorso sarà minore e di conseguenza il LED sarà meno luminoso. D'altra parte, il percorso dell'interruttore a pressione ha una resistenza più piccola. Pertanto, la corrente attraverso questo percorso sarà maggiore e il LED sarà più luminoso.

12.5 Resistori in serie

Sequenza di cablaggio

4-12-16-53, 52-11-10, 9-15-8, 7-18, 17-49, 48-3

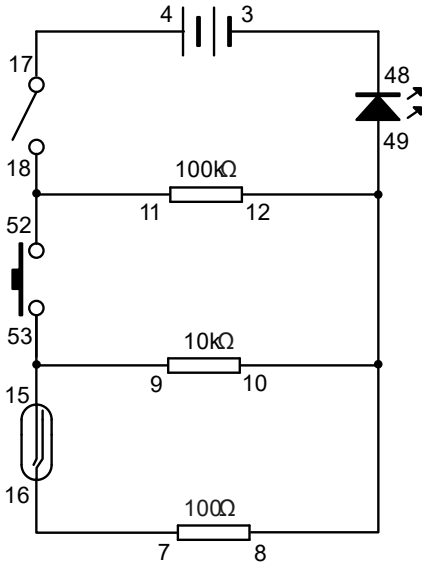


Completare tutti i collegamenti di cablaggio come indicato nella sequenza. Accendere l'interruttore principale. La corrente elettrica proveniente dalle batterie dovrà passare attraverso 3 resistenze e quindi il LED si accenderà in modo molto debole o apparentemente non si accenderà affatto. Premere l'interruttore a pressione. Questa volta, la corrente dovrà passare attraverso 2 sole resistenze, quindi il LED si accenderà più intensamente di prima. Accedere all'interruttore reed con il polo magnetico. Questa volta la corrente dovrà passare attraverso 1 solo resistore, quindi il LED si accenderà ancora di più. Per analogia, un resistore è come un ostacolo. Meno ostacoli ci sono nel circuito, più corrente può passare.

12.6 Resistori in collegamento parallelo

Sequenza di cablaggio

4-17, 18-11-52, 53-9-15, 16-7, 8-10-12-49, 48-3

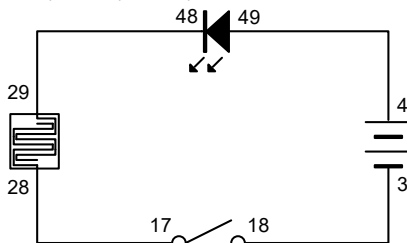


Completare tutti i collegamenti di cablaggio come indicato nella sequenza. Accendere l'interruttore principale. La corrente elettrica proveniente dalle batterie passerà attraverso la resistenza da 100KΩ per accendere il LED. Il LED si accende in modo molto debole o apparentemente non si accende affatto. Premere l'interruttore a pressione. Ora è disponibile un altro percorso. Anche se in questo percorso c'è un resistore da 10KΩ, si tratta comunque di un percorso in più per la corrente. Pertanto, una maggiore quantità di corrente passerà attraverso il LED e lo farà illuminare più intensamente! Non rilasciare l'interruttore a pressione. Accedere all'interruttore reed con il polo magnetico. Ora è disponibile un ulteriore percorso! Ora ci sono in totale 3 percorsi per il flusso di corrente e quindi il LED si accenderà in modo luminoso! Sebbene questa volta ci siano anche 3 resistenze nel circuito, il LED si illumina intensamente. Le resistenze sono collegate in parallelo e quindi il risultato è diverso.

12.7 Funzione della piastra di contatto

Sequenza di cablaggio

4-49, 48-29, 28-17, 18-3

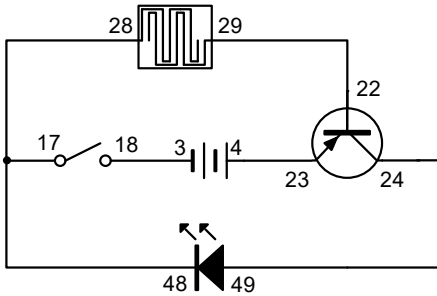


Completare tutti i collegamenti di cablaggio come indicato nella sequenza. Accendere l'interruttore principale. Inumidire il dito con acqua e toccare la piastra di contatto. Il LED si accenderà molto debolmente. Ciò indica che l'acqua ha una grande resistenza e quindi solo una piccola quantità di corrente elettrica riesce a passare. Se si mette una goccia di acqua salata sulla piastra da toccare, il LED si accende più intensamente! Questo perché l'acqua salata è un conduttore migliore dell'acqua normale e quindi può passare più corrente.

12.8 Una semplice dimostrazione di una funzione del transistor PNP

Sequenza di cablaggio

4-23, 24-49, 22-29, 28-48-17, 18-3

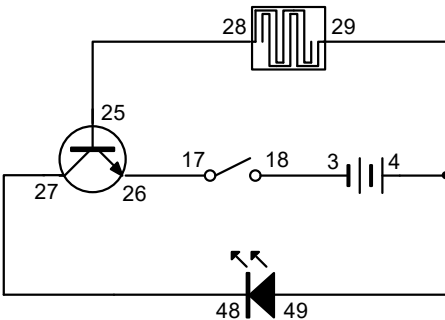


Completare tutti i collegamenti di cablaggio come indicato nella sequenza. Accendere l'interruttore principale. Inumidire il dito con acqua e toccare la piastra di contatto. Il LED si accende in modo luminoso, anche se la corrente elettrica che attraversa la piastra di contatto è minima (come mostrato nell'ultimo esperimento)! In questo circuito, infatti, il transistor PNP è la vera porta d'accesso al LED e la piastra di contatto funge solo da interruttore per aprire la porta! Quando la parte superiore del circuito non è collegata, non scorre corrente attraverso l'"Emettitore" verso la "Base" del transistor. Quindi il passaggio dall'"Emettitore" al "Collettore" è chiuso. Quando si tocca la piastra tattile, il circuito superiore viene collegato; una piccolissima quantità di corrente passa attraverso l'"Emettitore" alla "Base", e quindi la porta dell'"Emettitore" al "Collettore" viene aperta! La corrente elettrica proveniente dalla batteria può quindi fluire attraverso il transistor fino al LED, che quindi si illumina intensamente!

12.9 Una semplice dimostrazione del funzionamento del transistor NPN

Sequenza di cablaggio

28-25, 26-17, 18-3, 4-29-49, 48-27

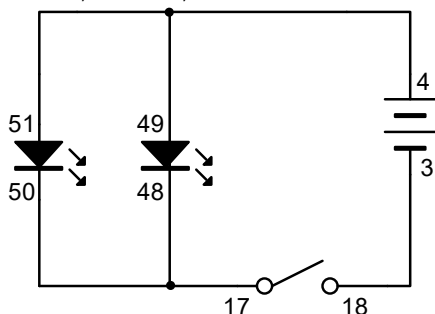


Completare tutti i collegamenti di cablaggio come indicato nella sequenza. Accendere l'interruttore principale. Toccare la piastra di contatto. Se la corrente elettrica che attraversa la piastra a sfioramento è minima (come mostrato nell'ultimo esperimento), il LED si accende in modo luminoso! Questo è praticamente lo stesso caso del transistor PNP. Solo che le polarità del transistor sono invertite.

12.10 Due LED in collegamento parallelo

Sequenza di cablaggio

4-49-51, 50-48-17, 18-3

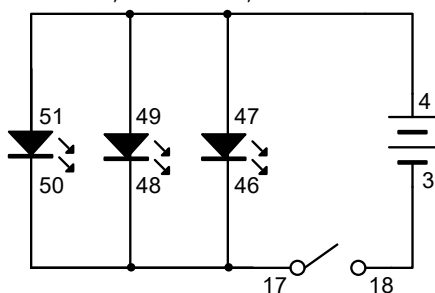


Completare tutti i collegamenti di cablaggio come indicato nella sequenza. Accendendo, entrambi i LED si accendono. Spegnendo, entrambi i LED si spengono.

12.11 Tre LED in collegamento parallelo

Sequenza di cablaggio

4-47-49-51, 50-48-46-17, 18-3

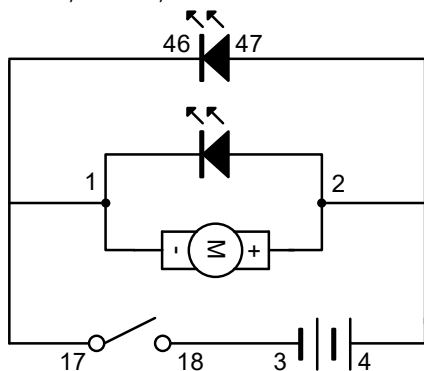


Completare tutti i collegamenti di cablaggio come indicato nella sequenza. Accendendo, si accendono tre LED. Spegnendo, i tre LED si spengono.

12.12 LED e LED rotante con un unico interruttore

Sequenza di cablaggio

4-2-47, 46-1-17, 18-3

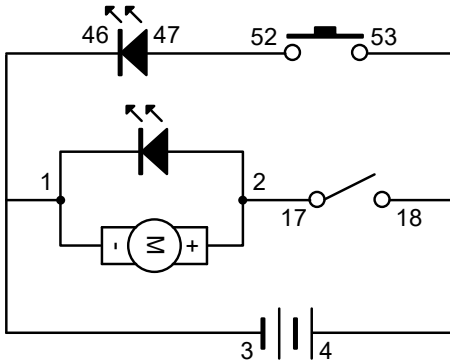


Completare tutti i collegamenti di cablaggio come indicato nella sequenza. Accendere l'interruttore principale. Il LED si accende e il LED di rotazione si accende. Quando si spegne l'interruttore principale, entrambi i dispositivi si spengono contemporaneamente.

12.13 LED e LED rotante con interruttori separati

Sequenza di cablaggio

4-18-53, 17-2, 52-47, 46-1-3

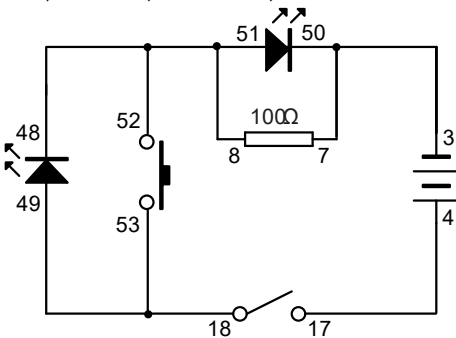


Completare tutti i collegamenti di cablaggio come indicato nella sequenza. Se si inserisce l'interruttore principale, si accende la spia LED di rotazione. Se si preme l'interruttore a pressione, il LED si accende. Sono controllati da interruttori separati, in modo da poterli accendere e spegnere singolarmente.

12.14 Circuito di base del LED

Sequenza di cablaggio

4-17, 18-49-53, 52-48-51-8, 7-50-3

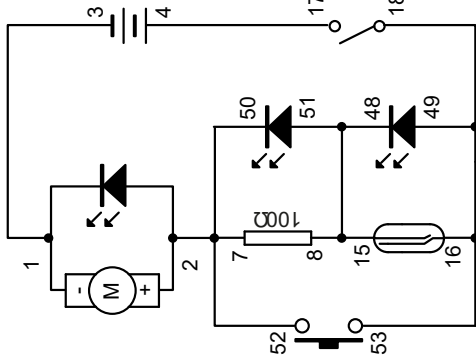


Completare tutti i collegamenti di cablaggio come indicato nella sequenza. Accendere l'interruttore principale. Si noterà che il LED piccolo si accende, mentre il LED grande non si accende. Quando si preme l'interruttore, il LED grande si accende ma il LED piccolo si spegne.

12.15 Luce LED rotante nel circuito di anticipo del funzionamento dei LED

Sequenza di cablaggio

4-17, 18-49-53-16, 15-48-51-8, 7-50-52-2, 1-3

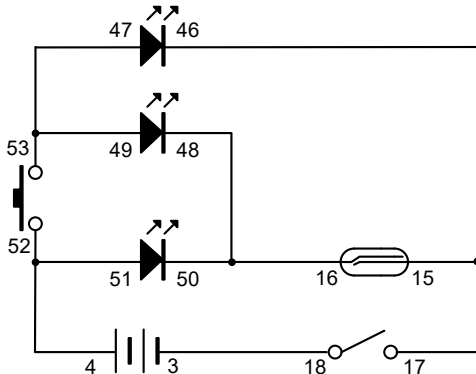


Completare tutti i collegamenti di cablaggio come indicato nella sequenza. Accendere l'interruttore principale. Si noterà che il LED blu si accende, ma gli altri LED non si accendono. Quando si accede all'interruttore reed con il polo magnetico, il LED blu si spegne e si accende solo il LED giallo. Premere l'interruttore a pressione. Questa volta si accenderà solo il LED rotante!

12.16 Combinazione di LED

Sequenza di cablaggio

4-52-51, 50-16-48, 49-53-47, 46-15-17, 18-3

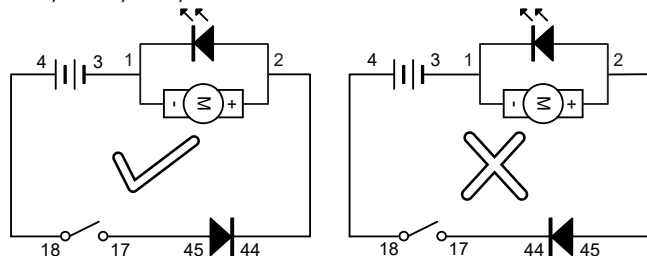


Completare tutti i collegamenti di cablaggio come indicato nella sequenza. Accendere l'interruttore principale. Premendo l'interruttore a pressione, accedendo all'interruttore reed con il polo magnetico o facendo entrambe le cose contemporaneamente, si otterranno prestazioni diverse dei LED!

12.17 Funzione di un diodo

Sequenza di cablaggio

4-18, 17-45, 44-2, 1-3

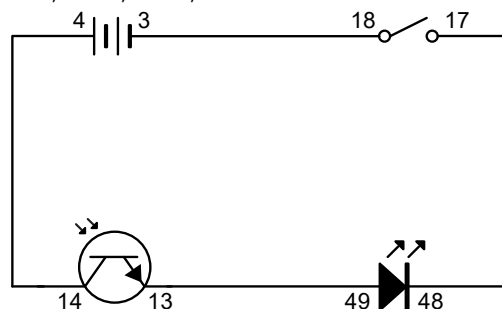


Completare tutti i collegamenti di cablaggio come indicato nella sequenza. Accendere l'interruttore principale. Il motore gira. Se si inverte la polarità di collegamento del diodo cambiando un po' il collegamento di cablaggio, 17 collegato a 44 e 2 collegato a 45, questa volta si scoprirà che il circuito non funziona. Questo perché il diodo non permette alla corrente di attraversarlo in senso inverso. Pertanto, questa volta il circuito non funziona.

12.18 Una semplice dimostrazione del sensore di luce

Sequenza di cablaggio

4-14, 13-49, 48-17, 18-3

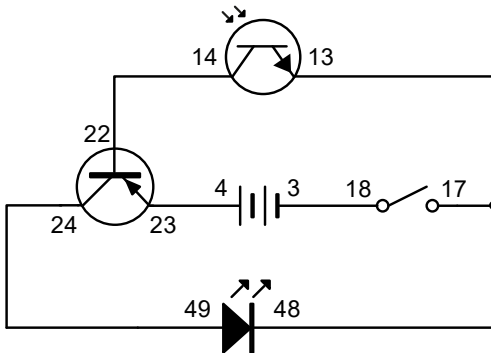


Completare tutti i collegamenti di cablaggio come indicato nella sequenza. Accendere l'interruttore principale. Si può notare che il LED si illumina in modo molto debole. Ciò indica che la corrente che lo attraversa è minima. Ciò dipende dall'intensità della luce che cade sul sensore luminoso. Se si esegue questo esperimento in un luogo buio, il LED potrebbe non accendersi affatto. Se si utilizza una torcia per illuminare il sensore di luce, si può notare che il LED si illumina intensamente. Questo perché quando c'è più luce, una maggiore quantità di corrente sarà in grado di passare attraverso il sensore di luce e illuminare il LED.

12.19 Un esempio pratico: LED ad attivazione luminosa

Sequenza di cablaggio

4-23, 22-14, 24-49, 48-13-17, 18-3

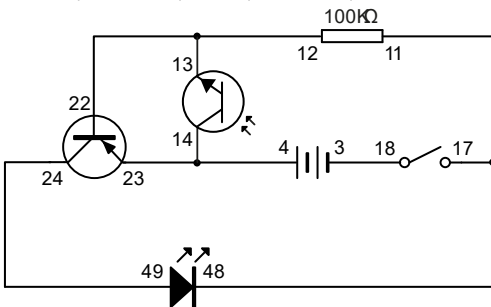


Completare tutti i collegamenti di cablaggio come indicato nella sequenza. Accendere l'interruttore principale. Questa volta, anche con una piccola quantità di luce, il LED si accende intensamente! In questo circuito, infatti, il transistor PNP è la vera porta di accesso al LED e il sensore di luminosità funge solo da interruttore per aprire la porta! Quando la parte superiore del circuito non è collegata, non scorre corrente attraverso l'"Emettitore" verso la "Base" del transistor. Quindi il passaggio dall'"Emettitore" al "Collettore" è chiuso. Quando la luce cade sul sensore luminoso, il circuito superiore viene collegato; una piccolissima quantità di corrente passa attraverso l'"Emettitore" alla "Base", e quindi la porta dell'"Emettitore" al "Collettore" viene aperta! La corrente elettrica proveniente dalla batteria può quindi fluire attraverso il transistor fino al LED, che quindi si illumina intensamente! Questo circuito fa sì che il sensore di luce diventi un interruttore sensibile per rilevare la luce.

12.20 Un esempio pratico: LED attivati dal buio

Sequenza di cablaggio

4-14-23, 22-13-12, 24-49, 48-11-17, 18-3

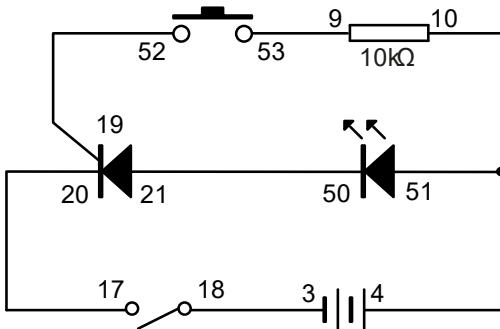


Completare tutti i collegamenti di cablaggio come indicato nella sequenza. Accendere l'interruttore principale. Se ci si trova in una stanza con luce intensa, il LED non si accenderà. Quando si copre il sensore di luminosità, il LED si accende. Ciò significa che il LED viene acceso dal buio anziché dalla luce!

12.21 Dimostrazione di una semplice funzione dell'SCR

Sequenza di cablaggio

21-50, 51-4-10, 9-53, 52-19, 20-17, 18-3

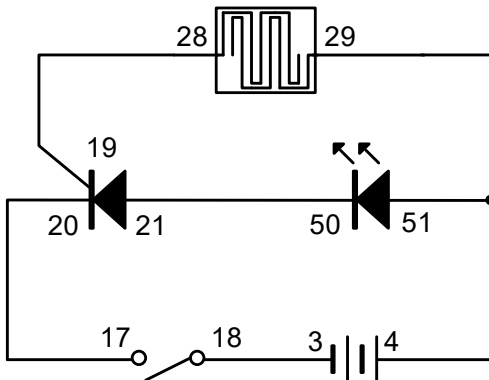


Completare tutti i collegamenti di cablaggio come indicato nella sequenza. Accendere l'interruttore principale. Non succede nulla. Premere l'interruttore a pressione senza rilasciarlo. La parte superiore del circuito è collegata e quindi la corrente può passare attraverso il gate (G) e il catodo (K) dell'SCR in quanto si tratta di un circuito completo. È come aprire il gate dell'SCR. La corrente principale può passare attraverso l'anodo (A) e il catodo (K), accendendo il LED. Rilasciare l'interruttore a pressione. Il LED continuerà a brillare! Questo perché il "cancello" è già stato aperto dalla corrente iniziale del circuito superiore e quindi la corrente principale continuerà a passare attraverso l'SCR. Pertanto, se si desidera spegnere il LED, è necessario spegnere l'interruttore principale.

12.22 Un esempio pratico di SCR

Sequenza di cablaggio

21-50, 51-4-29, 28-19, 20-17, 18-3

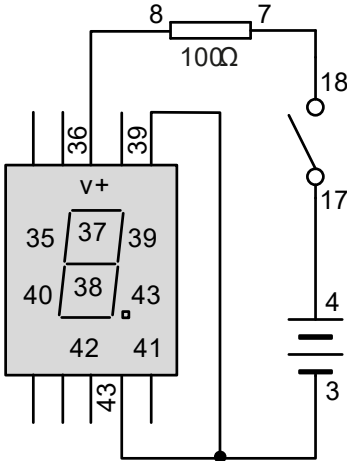


Completare tutti i collegamenti di cablaggio come indicato nella sequenza. Accendere l'interruttore principale. Non succede nulla. Quando c'è una goccia d'acqua sulla piastra di contatto, il LED si accende. Anche se la piastra viene asciugata, il LED continua a illuminarsi, poiché il gate dell'SCR è stato aperto. Sulla base di questo principio, è possibile impostare un monitor che indichi se la marea ha raggiunto una certa altezza, o se piove durante il periodo in cui si è fuori casa per un viaggio, o se qualcosa si è bagnato..... ecc.

12.23 Segmento digitale LED con indicazione "1"

Sequenza di cablaggio

4-17, 18-7, 8-36, 3-39-43

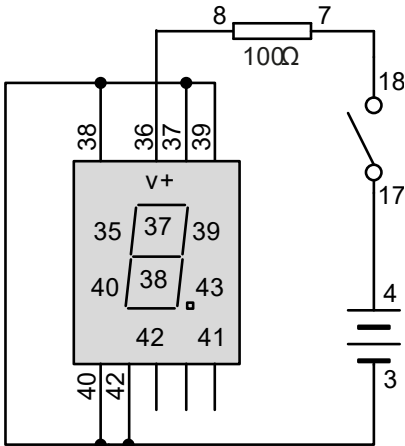


Completare tutti i collegamenti di cablaggio come indicato nella sequenza. All'accensione, il LED del segmento digitale visualizza "1".

12.24 Segmento digitale LED con indicazione "2"

Sequenza di cablaggio

4-17, 18-7, 8-36, 3-37-38-39-40-42

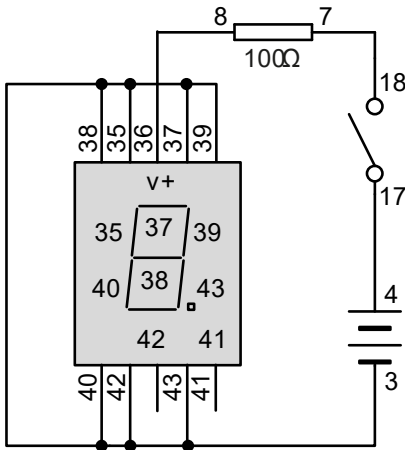


Completare tutti i collegamenti di cablaggio come indicato nella sequenza. All'accensione, il LED del segmento digitale visualizza "2".

12.25 Segmento digitale LED con indicazione "8"

Sequenza di cablaggio

4-17, 18-7, 8-36, 3-35-37-38-39-40-42-43

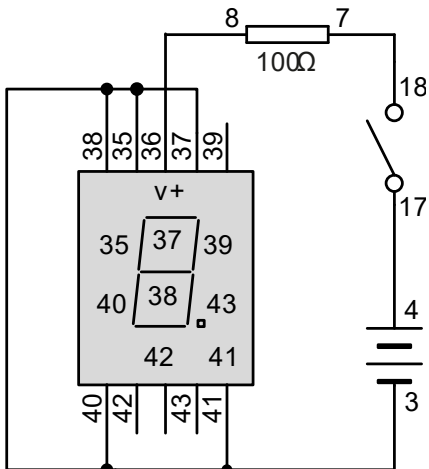


Completare tutti i collegamenti di cablaggio come indicato nella sequenza. All'accensione, il LED del segmento digitale visualizza "8".

12.26 Il LED del segmento digitale visualizza "F".

Sequenza di cablaggio

4-17, 18-7, 8-36, 3-35-37-38-40-41

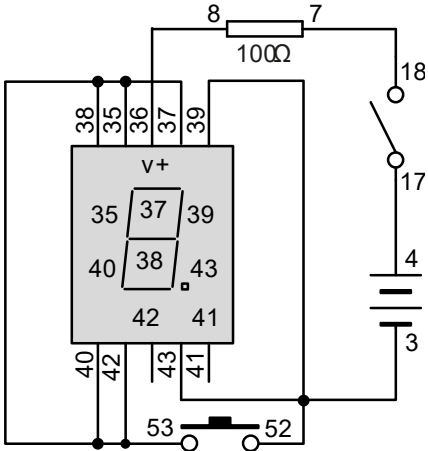


Completare tutti i collegamenti di cablaggio come indicato nella sequenza. All'accensione, il LED del segmento digitale visualizza "F".

12.27 Segmento digitale LED commutazione tra "1" e "8"

Sequenza di cablaggio

4-17, 18-7, 8-36, 3-39-43-52, 53-35-37-38-40-42

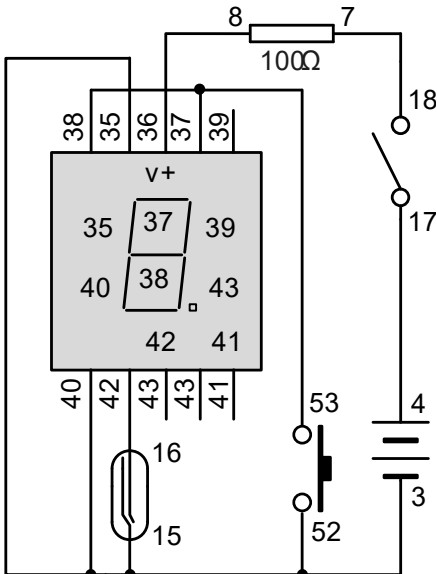


Completare tutti i collegamenti di cablaggio come indicato nella sequenza. Accendere l'interruttore principale. Il LED del segmento digitale visualizza "1". Premendo il pulsante, il LED del segmento digitale visualizza "8".

12.28 Commutazione del LED del segmento digitale tra "I", "L", "F" ed "E".

Sequenza di cablaggio

4-17, 18-7, 8-36, 35-40-15-3-52, 53-37-38, 42-16

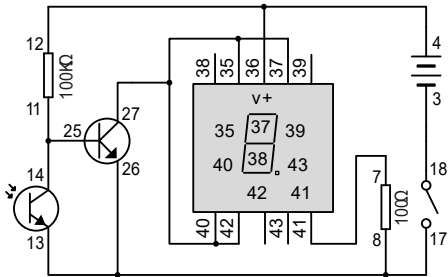


Completare tutti i collegamenti di cablaggio come indicato nella sequenza. Accendere l'interruttore principale. Il LED del segmento digitale visualizza "I". Se si accede all'interruttore reed con il polo magnetico, il LED del segmento digitale visualizzerà "L"; oppure se si preme il pulsante, il LED del segmento digitale visualizzerà "F". Se si attivano entrambi gli interruttori contemporaneamente, il LED del segmento digitale visualizza "E".

12.29 Display LED a sette segmenti per il controllo della luce - C (tipo scuro)

Sequenza di cablaggio

3-18, 11-25-14, 4-36-12, 13-17-26-8, 7-41, 27-35-37-40-42

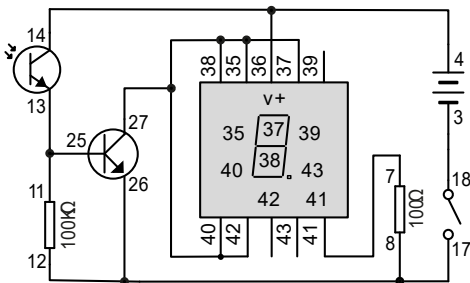


Completare tutti i collegamenti di cablaggio come indicato nella sequenza. Accendere l'interruttore principale. Se nella stanza c'è abbastanza luce, si accende solo l'indicatore di alimentazione sul display. Se si copre il sensore di luce, il display visualizza la lettera C. Se si scopre il sensore di luce, la lettera C scompare.

12.30 Display LED a sette segmenti per il controllo delle luci - E (tipo di luce)

Sequenza di cablaggio

3-18, 41-7, 17-26-12-8, 11-13-25, 4-36-14, 27-35-38-37-40-42

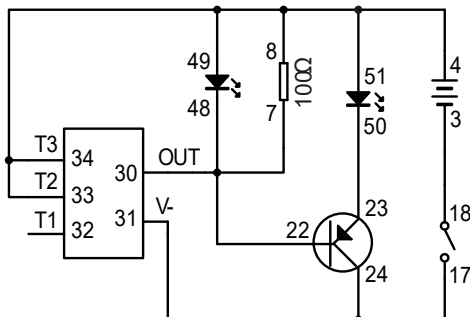


Completare tutti i collegamenti di cablaggio come indicato nella sequenza. Accendere l'interruttore principale. L'indicatore di alimentazione si accende e sul display compare la lettera E. Quando si copre il sensore luminoso, sul display si accende solo la spia di alimentazione. Se si scopre il sensore luminoso, la lettera E si accende di nuovo.

12.31 LED lampeggianti

Sequenza di cablaggio

3-18, 8-4-51-49-33-34, 50-23, 7-22-30-48, 17-24-31

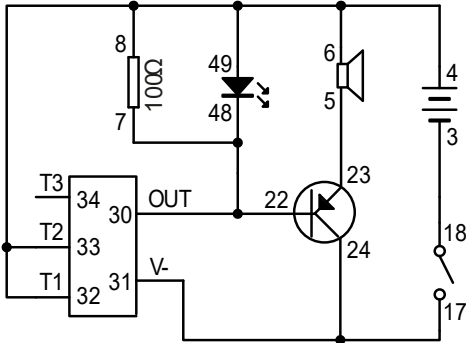


Completare tutti i collegamenti di cablaggio come indicato nella sequenza. Accendere l'interruttore principale. I LED lampeggiano.

12.32 Suono di abbaio del cane con LED lampeggiante

Sequenza di cablaggio

3-18, 4-6-8-32-33-49, 5-23, 7-22-30-48, 17-24-31

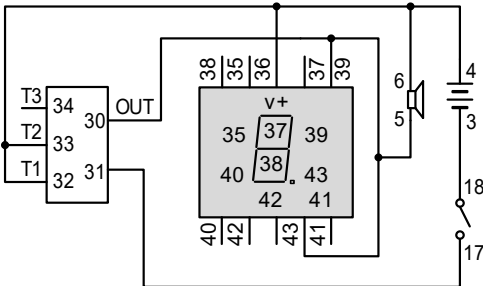


Completare tutti i collegamenti di cablaggio come indicato nella sequenza. Accendere l'interruttore principale. Il diffusore produrrà il suono dell'abbaio del cane e il LED lampeggerà al suo ritmo.

12.33 Suono di abbaio del cane e cifra "1" lampeggiante

Sequenza di cablaggio

3-18, 4-6-36-32-33, 17-31, 30-39-43-5

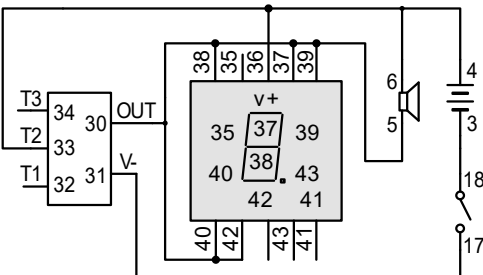


Completare tutti i collegamenti di cablaggio come indicato nella sequenza. Accendendo, il diffusore produrrà il suono dell'abbaio del cane. Sullo schermo del display compare anche la cifra "1" e lampeggia al suo ritmo.

12.34 Suono del gallo e cifra "2" lampeggiante

Sequenza di cablaggio

3-18, 4-6-36-33, 17-31, 5-30-37-38-39-40-42

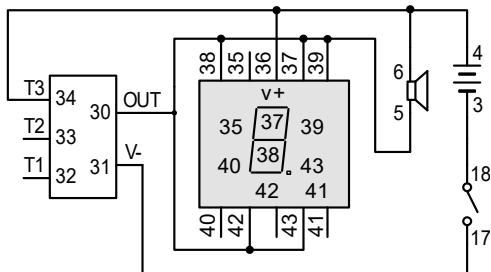


Completare tutti i collegamenti di cablaggio come indicato nella sequenza. Accendendo, il diffusore produrrà il suono del canto del gallo. Sullo schermo del display compare anche la cifra "2" e lampeggia al suo ritmo.

12.35 Miagolio del gatto e cifra "3" lampeggiante

Sequenza di cablaggio

3-18, 4-6-36-34, 17-31, 30-37-39-38-42-43-5

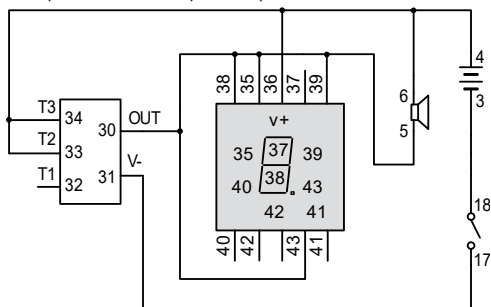


Completare tutti i collegamenti di cablaggio come indicato nella sequenza. All'accensione, il diffusore emette il suono del miagolio del gatto. Sullo schermo del display compare anche la cifra "3" e lampeggia al suo ritmo.

12.36 Suono del nitrito del cavallo e cifra "4" lampeggiante

Sequenza di cablaggio

3-18, 4-36-33-34-6, 17-31, 30-35-38-39-43-5

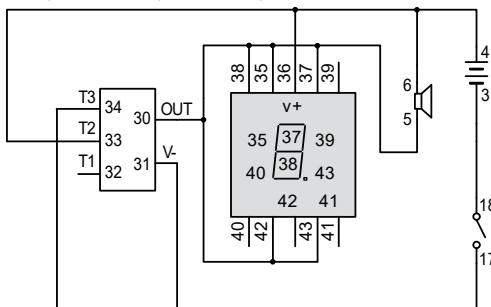


Completare tutti i collegamenti di cablaggio come indicato nella sequenza. Accendendo, il diffusore produrrà il suono del nitrito dei cavalli. Sullo schermo del display compare anche la cifra "4" e lampeggia al suo ritmo.

12.37 Cinguettio di uccelli e cifra "5" lampeggiante

Sequenza di cablaggio

3-18, 4-6-36-33, 17-31-34, 5-30-35-37-38-42-43

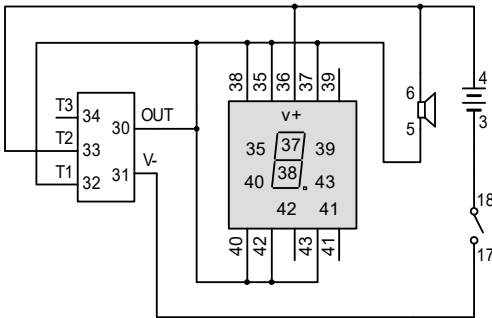


Completare tutti i collegamenti di cablaggio come indicato nella sequenza. All'accensione, il diffusore emette il suono del cinguettio degli uccelli. Sullo schermo del display compare anche la cifra "5" e lampeggia al suo ritmo.

12.38 Suono dell'anatra che gracchia e cifra "6" lampeggiante

Sequenza di cablaggio

3-18, 4-6-36-33, 17-31, 5-30-32-35-37-38-40-42-43

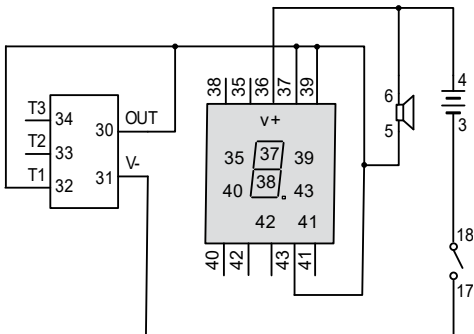


Completare tutti i collegamenti di cablaggio come indicato nella sequenza. Accendendo, il diffusore produrrà il suono dell'abbaiato. Sul display apparirà anche la cifra "6" e lampeggerà al suo ritmo.

12.39 Suono della pecora e cifra "7" lampeggiante

Sequenza di cablaggio

3-18, 4-6-36, 17-31, 5-30-32-37-39-43

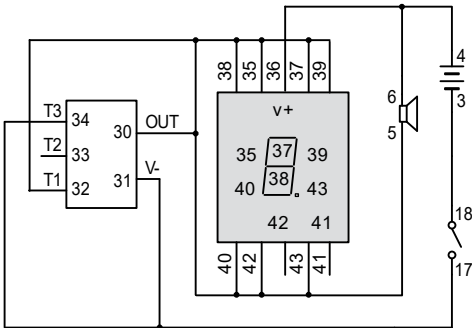


Completare tutti i collegamenti di cablaggio come indicato nella sequenza. All'accensione, il diffusore emette un suono di baaing delle pecore. Sullo schermo del display compare anche la cifra "7" e lampeggia al suo ritmo.

12.40 Suono di richiamo del cuculo e cifra "8" lampeggiante

Sequenza di cablaggio

3-18, 4-6-36, 17-31-34, 5-30-32-35-37-38-39-40-42-43

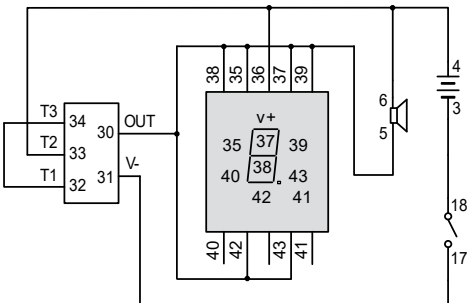


Completare tutti i collegamenti di cablaggio come indicato nella sequenza. All'accensione, il diffusore emette il suono del cucù. Sul display compare anche la cifra "8" e lampeggia al suo ritmo.

12.41 Rana che gracchia e cifra "9" lampeggiante

Sequenza di cablaggio

3-18, 4-6-36-33, 32-34, 5-30-35-37-38-39-42-43, 17-31

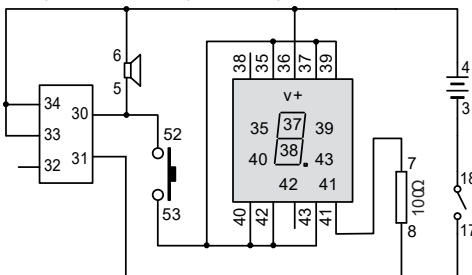


Completare tutti i collegamenti di cablaggio come indicato nella sequenza. Accendendo, il diffusore produrrà il suono del gracidio della rana. Sullo schermo del display compare anche la cifra "9" e lampeggia al suo ritmo.

12.42 Controllo manuale del suono del nitrito del cavallo con comando a pulsante con cifra "0" lampeggiante

Sequenza di cablaggio

3-18, 4-6-36-34-33, 5-30-52, 53-40-42-43-35-37-39, 41-7, 8-31-17

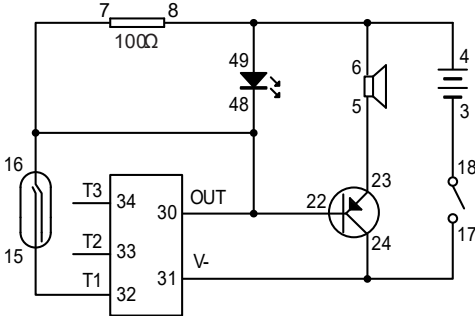


Completare tutti i collegamenti di cablaggio come indicato nella sequenza. Accendendo, l'altoparlante produrrà il suono del nitrito del cavallo e il punto nell'angolo in basso a destra del display si accenderà. Premendo il pulsante senza rilasciarlo, la cifra 0 si accende e lampeggia al ritmo del nitrito del cavallo.

12.43 Il magnete controlla il suono della pecora con il LED lampeggiante

Sequenza di cablaggio

3-18, 17-24-31, 32-15, 16-7-30-22-48, 49-8-6-4, 5-23

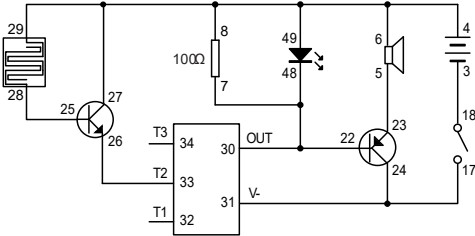


Completare tutti i collegamenti di cablaggio come indicato nella sequenza. Accendere l'interruttore principale. Accedere all'interruttore reed con il polo magnetico. L'altoparlante produrrà un suono di baaing della pecora e il LED lampeggerà al ritmo del suono di baaing della pecora.

12.44 Suono del gallo con comando a sfioramento e LED lampeggiante

Sequenza di cablaggio

3-18, 17-24-31, 30-7-22-48, 33-26, 28-25, 23-5, 29-27-8-49-6-4

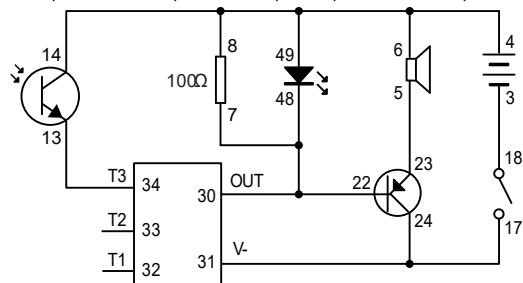


Completare tutti i collegamenti di cablaggio come indicato nella sequenza. Accendere l'interruttore principale. Toccare con il dito la piastra tattile. L'altoparlante produrrà il suono del canto del gallo e il LED lampeggerà al suo ritmo. In caso di mancata risposta, è possibile che si debba smorzare il dito e riprovare.

12.45 Controllo della luce del gatto che miagola con il LED lampeggiante

Sequenza di cablaggio

5-23, 22-48-7-30, 31-24-17, 18-3, 4-6-8-49-14, 13-34

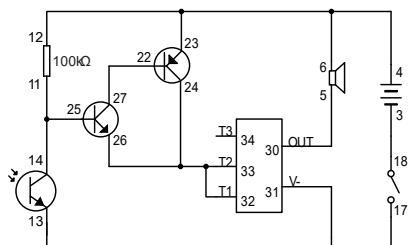


Completare tutti i collegamenti di cablaggio come indicato nella sequenza. Accendere l'interruttore principale. Quando la luce illumina il sensore luminoso, l'altoparlante emette un miagolio di gatto e il LED lampeggia al suo ritmo.

12.46 Suono di abbaio del cane attivato dal buio

Sequenza di cablaggio

3-18, 4-6-23-12, 5-30, 17-31-13, 24-26-33-32, 22-27, 11-14-25

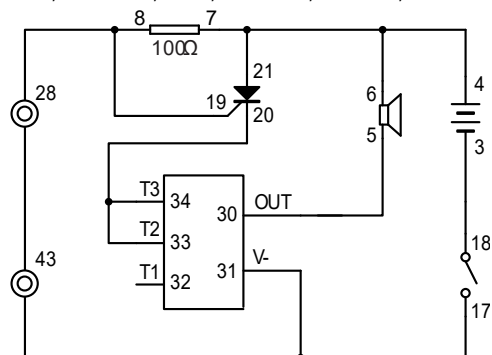


Completare tutti i collegamenti di cablaggio come indicato nella sequenza. Accendere l'interruttore principale e coprire completamente il sensore luminoso. A questo punto si sente l'abbaiare del cane provenire dall'altoparlante. Una volta scoperto il sensore luminoso, il suono dell'abbaiare del cane si interrompe.

12.47 Allarme di sicurezza basato sulla disconnessione del cablaggio

Sequenza di cablaggio

3-18, 17-43-31, 30-5, 4-6-21-7, 8-28-19, 20-33-34, 28-43

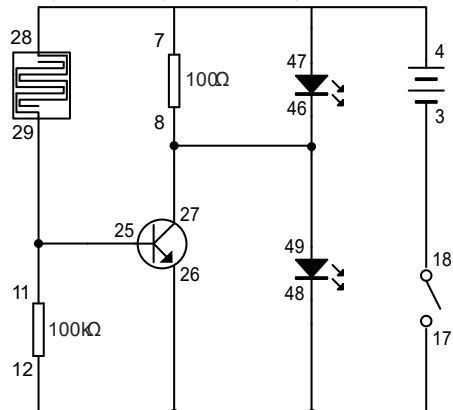


Completare tutti i collegamenti di cablaggio come indicato nella sequenza. Accendere l'interruttore principale. Non succede nulla. Quando si scollega il filo che collega la molla 28 alla 43, l'altoparlante produce il suono del nitrito del cavallo! Questo circuito può essere utilizzato come sistema di allarme. Ad esempio, quando qualcuno scatta sulla corda dell'allarme, il nitrito del cavallo vi avvertirà della presenza di un intruso!

12.48 Allarme LED del livello dell'acqua

Sequenza di cablaggio

3-18, 4-7-28-47, 17-48-12-26, 8-27-49-46, 11-29-25



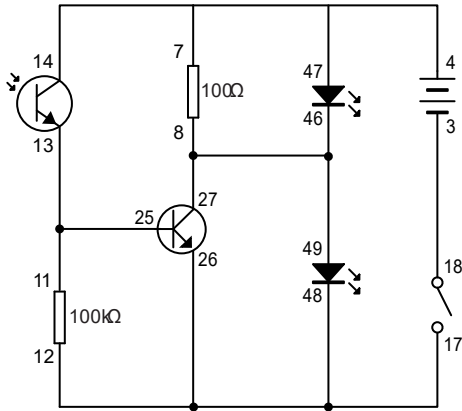
Completare tutti i collegamenti di cablaggio come indicato nella sequenza. Accendere l'interruttore principale. Lasciare cadere una goccia d'acqua sulla piastra di contatto. Il LED multicolore si accende e il LED blu si spegne. Asciugare l'acqua dalla piastra di contatto. Il LED blu si accende e il LED multicolore si spegne.

Questo principio può essere utilizzato per la segnalazione del livello dell'acqua. Disporre un circuito simile nel punto in cui è necessario sorvegliare il livello dell'acqua. Quando il livello dell'acqua supera il livello di avviso, il LED multicolore si accende e il LED blu si spegne. Quando il livello dell'acqua è inferiore al livello di avviso, il LED multicolore si spegne e il LED blu si accende.

12.49 Indicatore di intensità luminosa

Sequenza di cablaggio

3-18, 4-7-14-47, 17-12-26-48, 8-27-46-49, 11-13-25

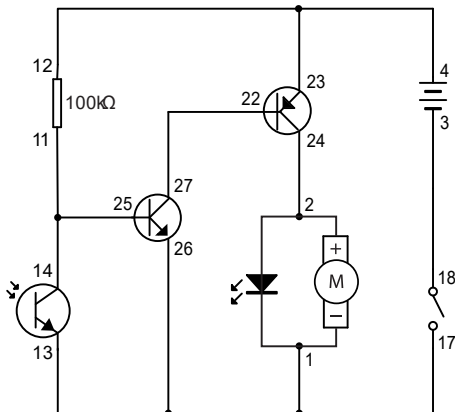


Completare tutti i collegamenti di cablaggio come indicato nella sequenza. Accendere l'interruttore principale. Quando il sensore luminoso è illuminato, il LED multicolore si accende, mentre il LED blu non si accende. Coprire completamente il sensore luminoso. Poiché non c'è luce, il LED multicolore si spegne e il LED blu si accende. Quando il sensore di luce non è coperto, il LED multicolore si accende e il LED blu si spegne di nuovo. Questo può essere utilizzato come indicatore dell'intensità luminosa.

12.50 Luce LED rotante attivata dall'oscurità

Sequenza di cablaggio

3-18, 4-23-12, 26-17-1-13, 24-2, 22-27, 11-14-25

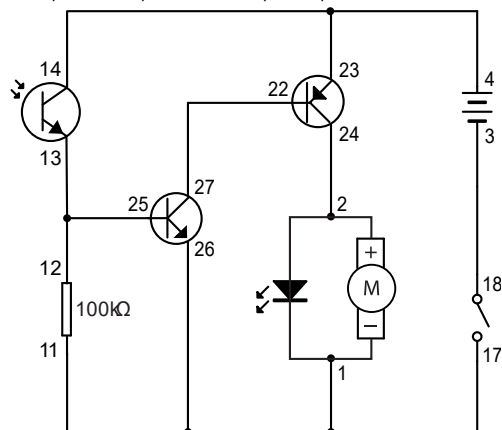


Completare tutti i collegamenti di cablaggio come indicato nella sequenza. Accendere l'interruttore principale. Coprire il sensore luminoso e il LED rotante si accende. Se si scopre il sensore luminoso, il LED si spegne.

12.51 Controllo della luce LED rotante

Sequenza di cablaggio

3-18, 4-23-14, 26-17-1-11, 24-2, 22-27 12-13-25



Completare tutti i collegamenti di cablaggio come indicato nella sequenza. Accendere l'interruttore principale e il LED di rotazione si accende. Quando il sensore di luce è coperto, il LED di rotazione si spegne. In questo circuito, la luce è l'interruttore del LED rotante.

© AVVISO DI COPYRIGHT

Il copyright di questo manuale è di proprietà di Velleman nv. Tutti i diritti sono riservati. Nessuna parte di questo manuale può essere copiata, riprodotta, tradotta o ridotta su qualsiasi supporto elettronico o altro senza il preventivo consenso scritto del titolare del copyright.

EN**Velleman® Service and Quality Warranty**

Since its foundation in 1972, Velleman® acquired extensive experience in the electronics world and currently distributes its products in over 85 countries. All our products fulfil strict quality requirements and legal stipulations in the EU. In order to ensure the quality, our products regularly go through an extra quality check, both by an internal quality department and by specialized external organisations. If, all precautionary measures notwithstanding, problems should occur, please make appeal to our warranty (see guarantee conditions).

General Warranty Conditions Concerning Consumer Products (for EU):

- All consumer products are subject to a 24-month warranty on production flaws and defective material as from the original date of purchase.
- Velleman® can decide to replace an article with an equivalent article, or to refund the retail value totally or partially when the complaint is valid and a free repair or replacement of the article is impossible, or if the expenses are out of proportion.

You will be delivered a replacing article or a refund at the value of 100% of the purchase price in case of a flaw occurred in the first year after the date of purchase and delivery, or a replacing article at 50% of the purchase price or a refund at the value of 50% of the retail value in case of a flaw occurred in the second year after the date of purchase and delivery.

• Not covered by warranty:

- all direct or indirect damage caused after delivery to the article (e.g. by oxidation, shocks, falls, dust, dirt, humidity...), and by the article, as well as its contents (e.g. data loss), compensation for loss of profits;
- consumable goods, parts or accessories that are subject to an aging process during normal use, such as batteries (rechargeable, non-rechargeable, built-in or replaceable), lamps, rubber parts, drive belts... (unlimited list);
- flaws resulting from fire, water damage, lightning, accident, natural disaster, etc.....;
- flaws caused deliberately, negligently or resulting from improper handling, negligent maintenance, abusive use or use contrary to the manufacturer's instructions;
- damage caused by a commercial, professional or collective use of the article (the warranty validity will be reduced to six (6) months when the article is used professionally);
- damage resulting from an inappropriate packing and shipping of the article;
- all damage caused by modification, repair or alteration performed by a third party without written permission by Velleman®.
- Articles to be repaired must be delivered to your Velleman® dealer, solidly packed (preferably in the original packaging), and be completed with the original receipt of purchase and a clear flaw description.
- Hint: In order to save on cost and time, please read the manual and check if the flaw is caused by obvious causes prior to presenting the article for repair. Note that returning a non-defective article can also involve handling costs.
- Repairs occurring after warranty expiration are subject to shipping costs.
- The above conditions are without prejudice to all commercial warranties.

The above enumeration is subject to modification according to the article (see article's manual).

NL**Velleman® service- en kwaliteitsgarantie**

Velleman® heeft sinds zijn oprichting in 1972 een ruime ervaring opgebouwd in de elektronica wereld en verdeelt op dit moment producten in meer dan 85 landen. Al onze producten beantwoorden aan strikte kwaliteitsnormen en aan de wettelijke bepalingen geldig in de EU. Om de kwaliteit te waarborgen, ondergaan onze producten op regelmatige tijdstippen een extra kwaliteitscontrole, zowel door onze eigen kwaliteitsafdeling als door externe gespecialiseerde organisaties. Mocht er ondanks deze voorzorgen toch een probleem optreden, dan kunt u steeds een beroep doen op onze waarborg (zie waarborgvoorwaarden).

Algemene waarborgvoorwaarden consumentengoederen (voor Europese Unie):

- Op alle consumentengoederen geldt een garantieperiode van 24 maanden op productie- en materiaalfouten en dit vanaf de oorspronkelijke aankoopdatum.
- Indien de klacht gegrond is en een gratis reparatie of vervanging van een artikel onmogelijk is of indien de kosten hiervoor buiten verhouding zijn, kan Velleman® beslissen het desbetreffende artikel te vervangen door een gelijkwaardig artikel of de aankoopsom van het artikel gedeeltelijk of volledig terug te betalen. In dat geval krijgt u een vervangend product of terugbetaling ter waarde van 100% van de aankoopsom bij ontdekking van een gebrek tot één jaar na aankoop en levering, of een vervangend product tegen 50% van de kostprijs of terugbetaling van 50% bij ontdekking na één jaar tot 2 jaar.

• Val niet onder waarborg:

- alle rechtstreekse of onrechtstreekse schade na de levering veroorzaakt aan het toestel (bv. door oxidatie, schokken, val, stof, vuil, vocht...), en door het toestel, alsook zijn inhoud (bv. verlies van data), vergoeding voor eventuele winstderving.
- verbruiksgoederen, onderdelen of hulpstukken die onderhevig zijn aan veroudering door normaal gebruik zoals bv. batterijen (zowel oplaadbare als niet-oplaadbare, ingebouwd of vervangbaar), lampen, rubberen onderdelen, aandrijfriemen... (onbepaalde lijst).
- defecten ten gevolge van brand, waterschade, bliksem, ongevallen, natuurrampen, enz.

- defecten veroorzaakt door opzet, nalatigheid of door een onoordeelkundige behandeling, slecht onderhoud of abnormaal gebruik of gebruik van het toestel strijdig met de voorschriften van de fabrikant.
 - schade ten gevolge van een commercieel, professioneel of collectief gebruik van het apparaat (bij professioneel gebruik wordt de garantieperiode herleid tot 6 maand).
 - schade veroorzaakt door onvoldoende bescherming bij transport van het apparaat.
 - alle schade door wijzigingen, reparaties of modificaties uitgevoerd door derden zonder toestemming van Velleman®.
 - Toestellen dienen ter reparatie aangeboden te worden bij uw Velleman®-verdelers. Het toestel dient vergezeld te zijn van het oorspronkelijke aankoopbewijs. Zorg voor een degelijke verpakking (bij voorkeur de originele verpakking) en voeg een duidelijke foutsomschrijving bij.
 - Tip: alvorens het toestel voor reparatie aan te bieden, kijk nog eens na of er geen voor de hand liggende reden is waarom het toestel niet naar behoren werkt (zie handleiding). Op deze wijze kunt u kosten en tijd besparen. Denk eraan dat er ook voor niet-defecte toestellen een kost voor controle aangerekend kan worden.
 - Bij reparaties buiten de waarborgperiode zullen transportkosten aangerekend worden.
 - Elke commerciële garantie laat deze rechten onverminderd.
- Bovenstaande opsomming kan eventueel aangepast worden naargelang de aard van het product (zie handleiding van het betreffende product).**

FR**Garantie de service et de qualité Velleman®**

Depuis 1972, Velleman® a gagné une vaste expérience dans le secteur de l'électronique et est actuellement distributeur dans plus de 85 pays. Tous nos produits répondent à des exigences de qualité rigoureuses et à des dispositions légales en vigueur dans l'UE. Afin de garantir la qualité, nous soumettons régulièrement nos produits à des contrôles de qualité supplémentaires, tant par notre propre service qualité que par un service qualité externe. Dans le cas improbable d'un défaut malgré toutes les précautions, il est possible d'invoquer notre garantie (voir les conditions de garantie).

Conditions générales concernant la garantie sur les produits grand public (pour l'UE) :

- tout produit grand public est garanti 24 mois contre tout vice de production ou de matériaux à dater du jour d'acquisition effective ;
- si la plainte est justifiée et que la réparation ou le remplacement d'un article est jugé impossible, ou lorsque les coûts s'avèrent disproportionnés, Velleman® s'autorise à remplacer ledit article par un article équivalent ou à rembourser la totalité ou une partie du prix d'achat. Le cas échéant, il vous sera consenti un article de remplacement ou le remboursement complet du prix d'achat lors d'un défaut dans un délai de 1 an après l'achat et la livraison, ou un article de remplacement moyennant 50% du prix d'achat ou le remboursement de 50% du prix d'achat lors d'un défaut après 1 à 2 ans.
- **sont par conséquent exclus :**
 - tout dommage direct ou indirect survenu à l'article après livraison (p.ex. dommage lié à l'oxydation, choc, chute, poussière, sable, impureté...) et provoqué par l'appareil, ainsi que son contenu (p.ex. perte de données) et une indemnisation éventuelle pour perte de revenus ;
 - toute vice ou accessoire nécessitant un remplacement causé par un usage normal comme p.ex. piles (rechargeables comme non rechargeables, intégrées ou remplaçables), ampoules, pièces en caoutchouc, courroies... (liste illimitée) ;
 - tout dommage qui résulte d'un incendie, de la foudre, d'un accident, d'une catastrophe naturelle, etc. ;
 - out dommage provoqué par une négligence, volontaire ou non, une utilisation ou un entretien incorrect, ou une utilisation de l'appareil contraire aux prescriptions du fabricant ;
 - tout dommage à cause d'une utilisation commerciale, professionnelle ou collective de l'appareil (la période de garantie sera réduite à 6 mois lors d'une utilisation professionnelle) ;
 - tout dommage à l'appareil qui résulte d'une utilisation incorrecte ou différente que celle pour laquelle il a été initialement prévu comme décrit dans la notice ;
 - tout dommage engendré par un retour de l'appareil emballé dans un conditionnement non ou insuffisamment protégé.
- toute réparation ou modification effectuée par une tierce personne sans l'autorisation explicite de SA Velleman® ; - frais de transport de et vers Velleman® si l'appareil n'est plus couvert sous la garantie.
- toute réparation sera fournie par l'endroit de l'achat. L'appareil doit nécessairement être accompagné du bon d'achat d'origine et être dûment conditionné (de préférence dans l'emballage d'origine avec mention du défaut) ;
- **tuyau :** il est conseillé de consulter la notice et de contrôler câbles, piles, etc. avant de retourner l'appareil. Un appareil retourné jugé défectueux qui s'avère en bon état de marche pourra faire l'objet d'une note de frais à charge du consommateur ;
- une réparation effectuée en-dehors de la période de garantie fera l'objet de frais de transport ;
- toute garantie commerciale ne porte pas atteinte aux conditions susmentionnées.

La liste susmentionnée peut être sujette à une complémentarité selon le type de l'article et être mentionnée dans la notice d'emploi.

ES**Garantía de servicio y calidad Velleman®**

Desde su fundación en 1972, Velleman® ha adquirido una amplia experiencia como distribuidor en el sector de la electrónica en más de 85 países. Todos nuestros productos responden a normas de calidad rigurosas y disposiciones legales vigentes en la UE. Para garantizar la calidad, sometemos nuestros productos regularmente a controles de calidad adicionales, tanto a través de nuestro propio servicio de calidad como de un servicio de calidad externo. En el caso improbable de que surgieran problemas a pesar de todas las precauciones, es posible recurrir a nuestra garantía (véase las condiciones de garantía).

Condiciones generales referentes a la garantía sobre productos de venta al público (para la Unión Europea):

- Todos los productos de venta al público tienen un período de garantía de 24 meses contra errores de producción o errores en materiales desde la adquisición original;
- Si la queja está fundada y si la reparación o sustitución de un artículo no es posible, o si los gastos son desproporcionados, Velleman® autoriza reemplazar el artículo por un artículo equivalente o reembolsar la totalidad o una parte del precio de compra. En este caso, usted recibirá un artículo de recambio o el reembolso completo del precio de compra si encuentra algún fallo hasta un año después de la compra y entrega, o un artículo de recambio al 50% del precio de compra o el reembolso del 50% del precio de compra si encuentra un fallo después de 1 año y hasta los 2 años después de la compra y entrega.

Por consiguiente, están excluidos entre otras cosas:

- todos los daños causados directa o indirectamente al aparato (p.ej. por oxidación, choques, caídas,...) y a su contenido (p.ej. pérdida de datos) después de la entrega y causados por el aparato, y cualquier indemnización por posible pérdida de ganancias;
- partes o accesorios, que estén expuestos al desgaste causado por un uso normal, como por ejemplo baterías (tanto recargables como no recargables, incorporadas o reemplazables), bombillas, partes de goma, etc. (lista ilimitada);
- defectos causados por un incendio, daños causados por el agua, rayos, accidentes, catástrofes naturales, etc.,
- defectos causados a conciencia, descuido o por malos tratos, un mantenimiento inapropiado o un uso anormal del aparato contrario a las instrucciones del fabricante;
- daños causados por un uso comercial, profesional o colectivo del aparato (el período de garantía se reducirá a 6 meses con uso profesional);
- daños causados por un uso incorrecto o un uso ajeno al que está previsto el producto inicialmente como está descrito en el manual del usuario;
- daños causados por una protección insuficiente al transportar el aparato.
- daños causados por reparaciones o modificaciones efectuadas por una tercera persona sin la autorización explícita de Velleman®;
- se calcula gastos de transporte de y a Velleman® si el aparato ya no está cubierto por la garantía.
- Cualquier artículo que tenga que ser reparado tendrá que ser devuelto a su distribuidor Velleman®. Devuelva el aparato con la factura de compra original y téngalo también una buena descripción del fallo;
- Consejo: Lea el manual del usuario y controle los cables, las pilas, etc. antes de devolver el aparato. Si no se encuentra un defecto en el artículo los gastos podrían correr a cargo del cliente;
- Los gastos de transporte correrán a carga del cliente para una reparación efectuada fuera del período de garantía.
- Cualquier gesto comercial no disminuye estos derechos.

La lista previamente mencionada puede ser adaptada según el tipo de artículo (véase el manual del usuario del artículo en cuestión).

DE**Velleman® Service- und Qualitätsgarantie**

Seit der Gründung in 1972 hat Velleman® sehr viel Erfahrung als Verteiler in der Elektronikwelt in über 85 Ländern aufgebaut. Alle Produkte entsprechen den strengen Qualitätsforderungen und gesetzlichen Anforderungen in der EU. Um die Qualität zu gewährleisten werden unsere Produkte regelmäßig einer zusätzlichen Qualitätskontrolle unterworfen, sowohl von unserer eigenen Qualitätsabteilung als auch von externen spezialisierten Organisationen. Sollten, trotz aller Vorsichtsmaßnahmen, Probleme auftreten, nehmen Sie bitte die Garantie in Anspruch (siehe Garantiebedingungen).

Allgemeine Garantiebedingungen in Bezug auf Konsumgüter (für die Europäische Union):

- Alle Produkte haben für Material- oder Herstellungsfehler eine Garantieperiode von 24 Monaten ab Verkaufsdatum.
- Wenn die Klage berechtigt ist und falls eine kostenlose Reparatur oder ein Austausch des Gerätes unmöglich ist, oder wenn die Kosten dafür unverhältnismäßig sind, kann Velleman® sich darüber entscheiden, dieses Produkt durch ein gleiches Produkt zu ersetzen oder die Kaufsumme ganz oder teilweise zurückzuzahlen. In diesem Fall erhalten Sie ein Ersatzprodukt oder eine Rückzahlung im Werte von 100% der Kaufsumme im Falle eines Defektes bis zu 1 Jahr nach Kauf oder Lieferung, oder Sie bekommen ein Ersatzprodukt im Werte von 50% der Kaufsumme oder eine Rückzahlung im Werte von 50 % im Falle eines Defektes im zweiten Jahr.

• Von der Garantie ausgeschlossen sind:

- alle direkten oder indirekten Schäden, die nach Lieferung am Gerät und durch das Gerät verursacht werden (z.B. Oxidation, Stöße, Fall, Staub, Schmutz,

Feuchtigkeit, ...), sowie auch der Inhalt (z.B. Datenverlust), Entschädigung für eventuellen Gewinnausfall.

- Verbrauchsgüter, Teile oder Zubehörteile, die durch normalen Gebrauch dem Verschleiß ausgesetzt sind, wie z.B. Batterien (nicht nur aufladbare, sondern auch nicht aufladbare, eingebaute oder ersetzbare), Lampen, Gummiteile, Treibriemen, usw. (unbeschränkte Liste).
- Schäden verursacht durch Brandschaden, Wasserschaden, Blitz, Unfälle, Naturkatastrophen, usw.
- Schäden verursacht durch absichtliche, nachlässige oder unsachgemäße Anwendung, schlechte Wartung, zweckfremde Anwendung oder Nichtbeachtung von Benutzerhinweisen in der Bedienungsanleitung.
- Schäden infolge einer kommerziellen, professionellen oder kollektiven Anwendung des Gerätes (bei gewerblicher Anwendung wird die Garantieperiode auf 6 Monate zurückgeführt).
- Schäden verursacht durch eine unsachgemäße Verpackung und unsachgemäßen Transport des Gerätes.
- alle Schäden verursacht durch unautorisierte Änderungen, Reparaturen oder Modifikationen, die von einem Dritten ohne Erlaubnis von Velleman® vorgenommen werden.
- Im Fall einer Reparatur, wenden Sie sich an Ihren Velleman®-Verteiler. Legen Sie das Produkt ordnungsgemäß verpackt (vorzugsweise die Originalverpackung) und mit dem Original-Kaufbeleg vor. Fügen Sie eine deutliche Fehlerbeschreibung hinzu.
- Hinweis: Um Kosten und Zeit zu sparen, lesen Sie die Bedienungsanleitung nochmals und überprüfen Sie, ob es keinen auf der Hand liegenden Grund gibt, ehe Sie das Gerät zur Reparatur zurückschicken. Stellen sich bei der Überprüfung des Gerätes heraus, dass kein Geräteschaden vorliegt, könnte dem Kunden eine Untersuchungspauschale berechnet.
- Für Reparaturen nach Ablauf der Garantiefrist werden Transportkosten berechnet.
- Jede kommerzielle Garantie lässt diese Rechte unberührt.

Die oben stehende Aufzählung kann eventuell angepasst werden gemäß der Art des Produktes (siehe Bedienungsanleitung des Gerätes).

PL**Velleman® usługi i gwarancja jakości**

Od czasu założenia w 1972, Velleman® zdobył bogate doświadczenie w dziedzinie światowej elektroniki. Obecnie firma dystrybuje swoje produkty w ponad 85 krajach.

Wszystkie nasze produkty spełniają surowe wymagania jakościowe oraz wypełniają normy i dyrektywy obowiązujące w krajach UE. W celu zapewnienia najwyższej jakości naszych produktów, przechodzą one regularne oraz dodatkowo wyrzukowe badania kontroli jakości, zarówno naszego wewnętrzznego działu jakości jak również wyspecjalizowanych firm zewnętrznych. Pomimo dołożenia wszelkich starań czasem mogą pojawić się problemy techniczne, prosimy odwołać się do gwarancji (patrz warunki gwarancji).

Ogólne Warunki dotyczące gwarancji:

- Wszystkie produkty konsumenckie podlegają 24-miesięcznej gwarancji na wady produkcyjne i materiałowe od daty zakupu.
- W przypadku, gdy usterka jest niemożliwa do usunięcia lub koszt usunięcia jest nadmiernie wysoki Velleman® może zdecydować o wymianie artykułu na nowy, wolny od wad lub zwrócić zapłaconą kwotę. Zwrót gotówką może jednak nastąpić z uwzględnieniem poniższych warunków:
 - zwrót 100% ceny zakupu w przypadku, gdy wada wystąpiła w ciągu pierwszego roku od daty zakupu i dostawy
 - wymiana wadliwego artykułu na nowy, wolny od wad z odpłatnością 50% ceny detalicznej lub zwrót 50% kwoty ceny nabycia w przypadku gdy wada wystąpiła w drugim roku od daty zakupu i dostawy.
- Produkt nie podlega naprawie gwarancyjnej:
 - gdy wszystkie bezpośrednie lub pośrednie szkody spowodowane są działaniem czynników środowiskowych lub losowych (np. przez użyczenie, wstrząsy, upadki, kurz, brud, ...), wilgotności;
 - gwarant nie ponosi odpowiedzialności za szkody wynikających z utraty danych;
 - produkty konsumenckie, części zamienne lub akcesoria podatne na proces starzenia, wynikające z normalnego użytkowania, np: baterie (ładowne, nieladowne, wbudowane lub wymienne), żarówki, paski napędowe, gumowe elementy napędowe... (nieograniczona lista);
 - usterka wynika z działania pożaru, zalania wszelkimi cieczami, uderzenia pioruna, upadku lub kłeszy żywiolowej, itp.;
 - usterka wynika z zaniedban eksploatacyjnych tj. umyślne bądź nieumyślne zaniechanie czyszczenia, konserwacji, wymiany materiałów eksploatacyjnych, niedbalstwa lub z niewłaściwego obchodzenia się lub niezgodnego użytkowania z instrukcją producenta;
 - szkody wynikające z nadmiernego użytkowania gdy nie jest do tego celu przeznaczony tj. działalność komercyjna, zawodowa lub wspólnie użytkowane przez wiele osób - okres obowiązywania gwarancji zostanie obniżony do 6 (sześć) miesięcy;
 - Szkody wynikające ze złe zabezpieczonej wysyłki produktu;
 - Wszelkie szkody spowodowane przez nieautoryzowaną naprawę, modyfikację, przerobkę produktu przez osoby trzecie jak również bez pisemnej zgody firmy Velleman®.
- Uszkodzony produkt musi zostać dostarczony do sprzedawcy @ Velleman, solidnie zapakowany (najlepiej w oryginalnym opakowaniu), wraz z wyposażeniem z jakim produkt został sprzedany. W przypadku wysyłki towaru

w opakowaniu innym niż oryginalnym ryzyko usterki produktu oraz tego skutki przechodzą na właściciela produktu. Wraz z niesprawnym produktem należy dołączyć jasny i szczegółowy opis jego usterki, wady;

- Wskazówka: Aby zaoszczędzić na kosztach i czasie, proszę szczegółowo zapoznać się z instrukcją obsługi; czy przyczyną wady są okoliczności techniczne czy też wynika wyłącznie z nieznaomości obsługi produktu. W przypadku wysyłki sprawnego produktu do serwisu nabywca może zostać obciążony kosztami obsługi oraz transportu.
- W przypadku napraw pogwarancyjnych lub odpłatnych klient ponosi dodatkowo koszt wysyłki produktu do i z serwisu.

wymienione wyżej warunki są bez uszczerbku dla wszystkich komercyjnych gwarancji.

Powyższe postanowienia mogą podlegać modyfikacji w zależności od wyrobu (patrz art obsługi).

PT

Garantia de serviço e de qualidade Velleman®

Desde a sua fundação em 1972 Velleman® tem adquirido uma ampla experiência no sector da electrónica com uma distribuição em mais de 85 países.

Todos os nossos produtos respondem a exigências rigorosas e a disposições legais em vigor na UE. Para garantir a qualidade, submetemos regularmente os nossos produtos a controlos de qualidade suplementares, com o nosso próprio serviço qualidade como um serviço de qualidade externo. No caso improvável de um defeito mesmo com as nossas precauções, é possível invocar a nossa garantia. (ver as condições de garantia).

Condições gerais com respeito a garantia sobre os produtos grande público (para a UE):

- qualquer produto grande público é garantido 24 mês contra qualquer vício de produção ou materiais a partir da data de aquisição efectiva;
- no caso da reclamação ser justificada e que a reparação ou substituição de um artigo é impossível, ou quando os custos são desproporcionados, Velleman® autoriza-se a substituir o dito artigo por um artigo equivalente ou a devolver a totalidade ou parte do preço de compra. Em outro caso, será consentido um artigo de substituição ou devolução completa do preço de compra no caso de um defeito no prazo de 1 ano depois da data de compra e entrega, ou um artigo de substituição pagando o valor de 50% do preço de compra ou devolução de 50% do preço de compra para defeitos depois de 1 a 2 anos.

• estão por consequência excluídos:

- todos os danos directos ou indirectos depois da entrega do artigo (p.ex. danos ligados a oxidação, choques, quedas, poeiras, areias, impurezas...) e provocado pelo aparelho, como o seu conteúdo (p.ex. perda de dados) e uma indemnização eventual por perda de receitas;
- consumíveis, peças ou acessórios sujeitos a desgaste causado por um uso normal, como p.ex. pilhas (recarregáveis, não recarregáveis, incorporadas ou substituíveis), lâmpadas, peças em borracha correias... (lista ilimitada);
- todos os danos que resultem de um incêndio, raios, de um acidente, de uma catastrophe natural, etc.;
- danos provocados por negligência, voluntária ou não, uma utilização ou manutenção incorrecta, ou uma utilização do aparelho contrária às prescrições do fabricante ;
- todos os danos por causa de uma utilização comercial, profissional ou colectiva do aparelho (o período de garantia será reduzido a 6 meses para uma utilização profissional);
- todos os danos no aparelho resultando de uma utilização incorrecta ou diferente daquela inicialmente prevista e descrita no manual de utilização;
- todos os danos depois de uma devolução não embalada ou mal protegida ao nível do acondicionamento.
- todas as reparações ou modificações efectuadas por terceiros sem a autorização de SA Velleman®;
- despesas de transporte de e para Velleman® se o aparelho não estiver coberto pela garantia.
- qualquer reparação será fornecida pelo local de compra. O aparelho será obrigatoriamente acompanhado do talão ou factura de origem e bem acondicionado (de preferência dentro da embalagem de origem com indicação do defeito ou avaria);
- dica: aconselha-mos a consulta do manual e controlar cabos, pilhas, etc. antes de devolver o aparelho. Um aparelho devolvido que estiver em bom estado será cobrado despesas a cargo do consumidor;
- uma reparação efectuada fora da garantia, será cobrado despesas de transporte;
- qualquer garantia comercial não prevalece as condições aqui mencionadas.

A lista pode ser sujeita a um complemento conforme o tipo de artigo e estar mencionada no manual de utilização.

IT

Garanzia di Qualità Velleman®

Velleman® ha oltre 35 anni di esperienza nel mondo dell'elettronica e distribuisce i suoi prodotti in oltre 85 paesi. Tutti i nostri prodotti soddisfano rigorosi requisiti di qualità e rispettano le disposizioni giuridiche dell'Unione europea. Al fine di garantire la massima qualità, i nostri prodotti vengono regolarmente sottoposti ad ulteriori controlli, effettuati sia da un reparto interno di qualità che da organizzazioni esterne specializzate. Se, nonostante tutti questi accorgimenti, dovessero sorgere dei problemi, si prega di fare appello alla garanzia prevista (vedi condizioni generali di garanzia).

Condizioni generali di garanzia per i prodotti di consumo:

- Questo prodotto è garantito per il periodo stabilito dalle vigenti norme legislative, a decorrere dalla data di acquisto, contro i difetti di materiale o di fabbricazione. La garanzia è valida solamente se l'unità è accompagnata dal documento d'acquisto originale.
 - Futura Elettronica provvederà, in conformità con la presente garanzia (fatto salvo quanto previsto dalla legge applicabile), a eliminare i difetti mediante la riparazione o, qualora Futura Elettronica lo ritenesse necessario, alla sostituzione dei componenti difettosi o del prodotto stesso con un altro avente identiche caratteristiche.
 - Le spese di spedizione o riconsegna del prodotto sono a carico del cliente.
 - La garanzia decade nel caso di uso improprio, manomissione o installazione non corretta dell'apparecchio o se il difetto di conformità non viene denunciato entro un termine di 2 mesi dalla data in cui si è scoperto il difetto.
 - Il venditore non è ritenuto responsabile dei danni derivanti dall'uso improprio del dispositivo.
 - L'apparecchio deve essere rispettato con l'imballaggio originale; non si assumono responsabilità per danni derivanti dal trasporto.
 - Il prodotto deve essere accompagnato da un'etichetta riportante i propri dati personali e un recapito telefonico; è necessario inoltre allegare copia dello scontrino fiscale o della fattura attestante la data dell'acquisto.
- #### **L'eventuale riparazione sarà a pagamento se:**
- Sono scaduti i tempi previsti.
 - Non viene fornito un documento comprovante la data d'acquisto.
 - Non è visibile sull'apparecchio il numero di serie.
 - L'unità è stata usata oltre i limiti consentiti, è stata modificata, installata impropriamente, è stata aperta o manomessa.